

[54] RATCHET TOOL

[75] Inventors: Allen K. Roth, Whitewater; Glen W. Ediger; Harold F. Bauer, both of Newton, all of Kans.

[73] Assignee: S/V Tool Company, Newton, Kans.

[21] Appl. No.: 224,170

[22] Filed: Jan. 12, 1981

[51] Int. Cl. D8-05

[52] U.S. Cl. D8/25

[58] Field of Search D8/25, 29; 81/177 M, 81/177 N, 177 G, 177 E, 177.8, 177.9, 60, 62

[56] References Cited

U.S. PATENT DOCUMENTS

3,383,962	5/1968	Harris	81/177.9
4,302,990	12/1981	Chrichton	81/177 M X
4,352,306	10/1982	Martinmaas	81/177 M

OTHER PUBLICATIONS

Popular Mechanics, 5/80, p. 170, "Litton's New Pocket Socket", wrench at bottom of page.

Primary Examiner—Alan P. Douglas
Attorney, Agent, or Firm—Schmidt, Johnson, Hovey & Williams

[57] CLAIM

The ornamental design for a ratchet tool, as shown.

DESCRIPTION

FIG. 1 is an elevational view showing one side of the ratchet tool;

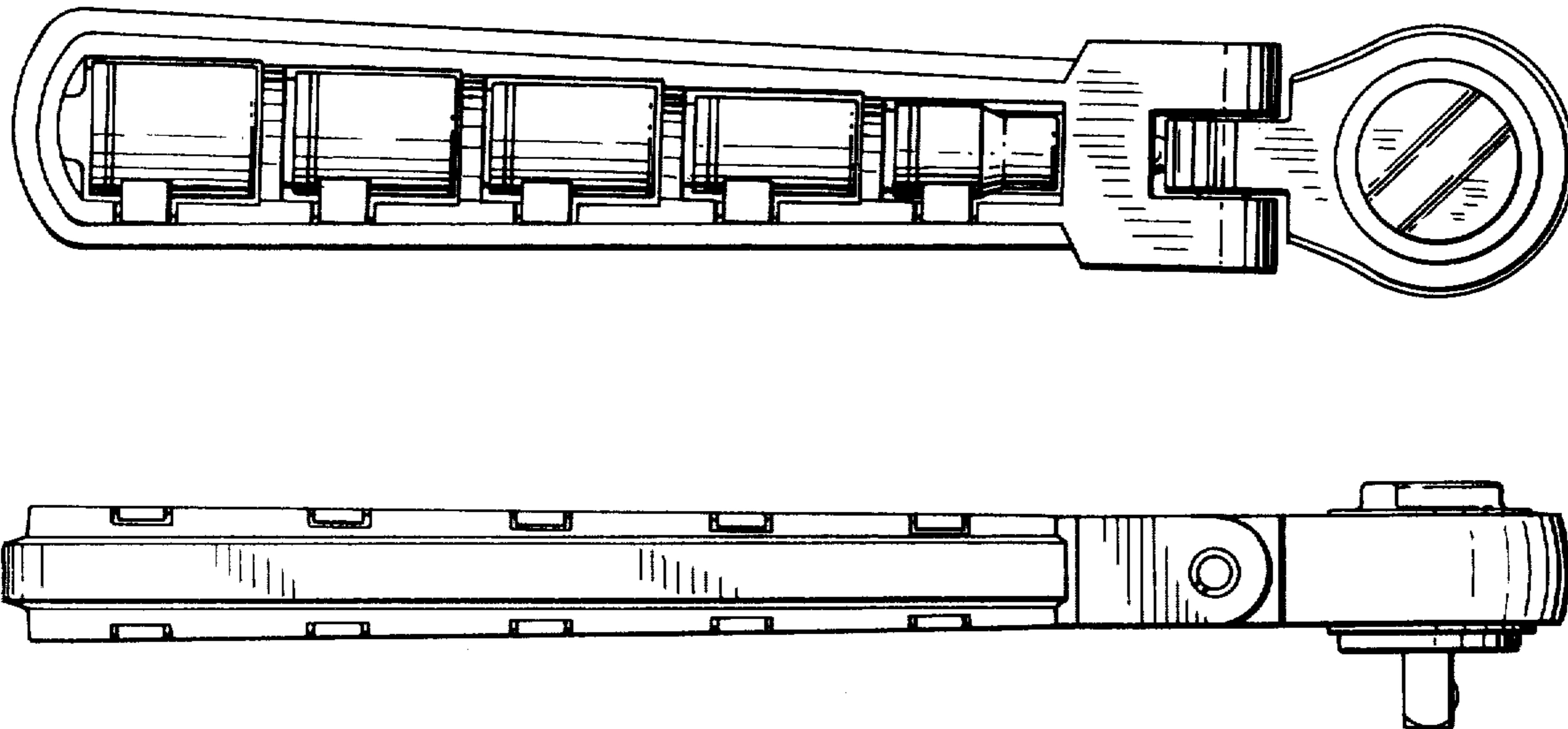
FIG. 2 is a view showing one edge thereof;

FIG. 3 is an elevational view showing the opposite side thereof;

FIG. 4 is a view showing the opposite edge thereof;

FIG. 5 is a view showing one end thereof; and

FIG. 6 is a view showing the opposite end thereof.



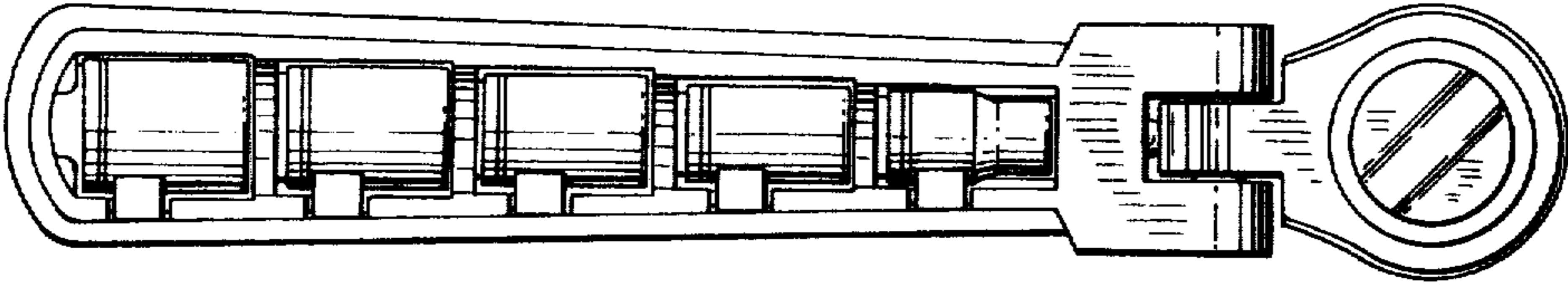


FIG. 1

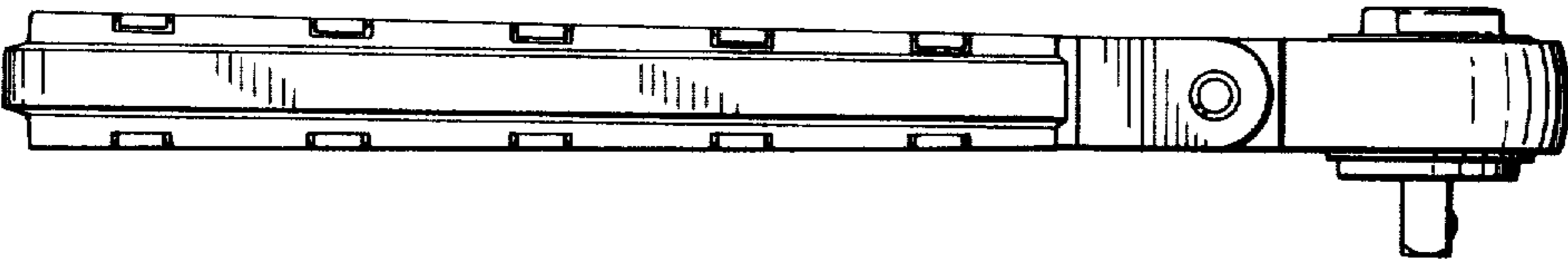


FIG. 2

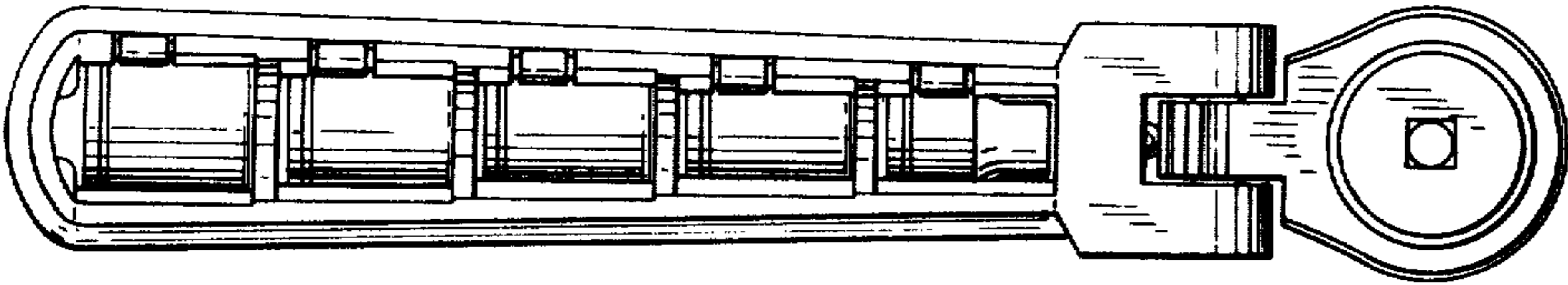


FIG. 3

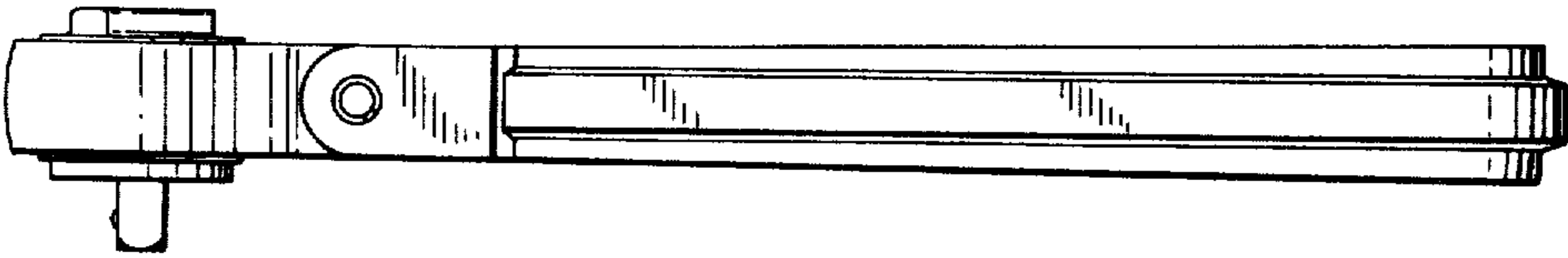


FIG. 4

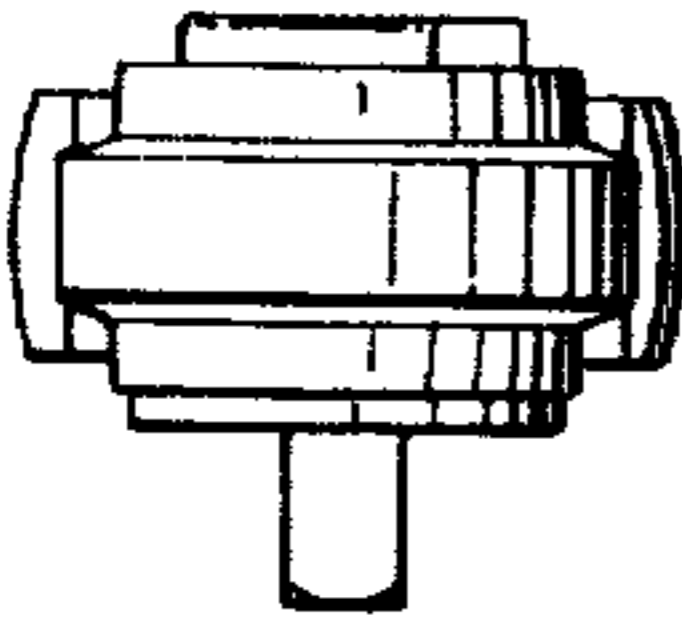


FIG. 5

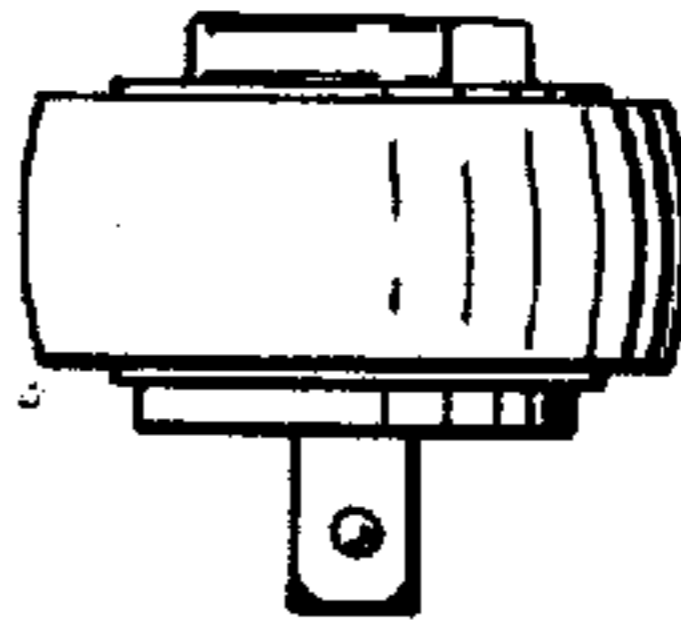


FIG. 6