

[54] **HEAD FOR A WEED COMB**
 [76] Inventor: **Robert A. Scarsciotti**, 7 Steven La.,
 Medfield, Mass. 02052
 [21] Appl. No.: **273,437**
 [22] Filed: **Jun. 15, 1981**
 [51] Int. Cl. **D8-01**
 [52] U.S. Cl. **D8/13; 56/400.21;**
 172/375
 [58] Field of Search **D8/1-13;**
 56/400.21, 400.06, 193; 172/375, 374, 378

2,597,954 5/1952 Schaller 56/400.06
 3,797,581 3/1974 Holloway 172/375
 4,174,003 11/1979 Zepeda 172/375

FOREIGN PATENT DOCUMENTS

2213/31 12/1931 Australia 56/400.06

Primary Examiner—B. J. Bullock
Assistant Examiner—Horace B. Fay, Jr.

[57] **CLAIM**

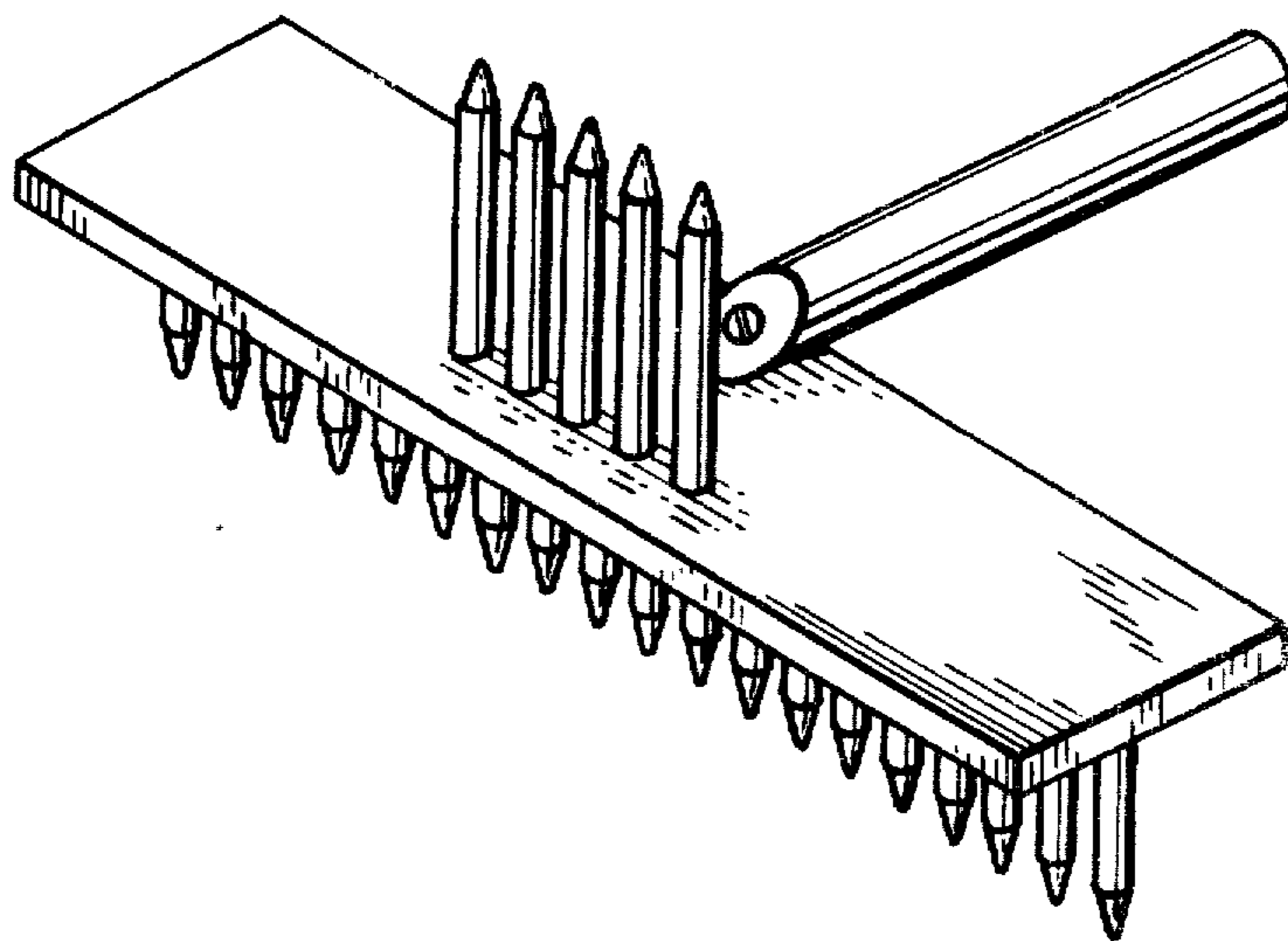
The ornamental design for a head for a weed comb, as shown.

DESCRIPTION

FIG. 1 is a perspective view of the head for a weed comb showing my new design;
 FIG. 2 is an end elevational view taken from the left end of FIG. 4;
 FIG. 3 is an end elevational view taken from the right end of FIG. 4;
 FIG. 4 is a front elevational view of said design; and
 FIG. 5 is a bottom view taken from FIG. 4, with the comb's shank being broken away for convenience of illustration.

[56] **References Cited**
U.S. PATENT DOCUMENTS

D. 230,247 2/1974 Parry D8/6
 384,879 6/1888 Tilghman 172/375
 743,981 11/1903 Hagen 172/375
 763,885 6/1904 Hart 56/400.21
 1,172,981 2/1916 Gorman 172/375
 1,583,492 5/1926 Reamy 56/400.21
 1,632,883 6/1927 Carkey 172/375
 1,780,748 11/1930 Fisher 56/400.21



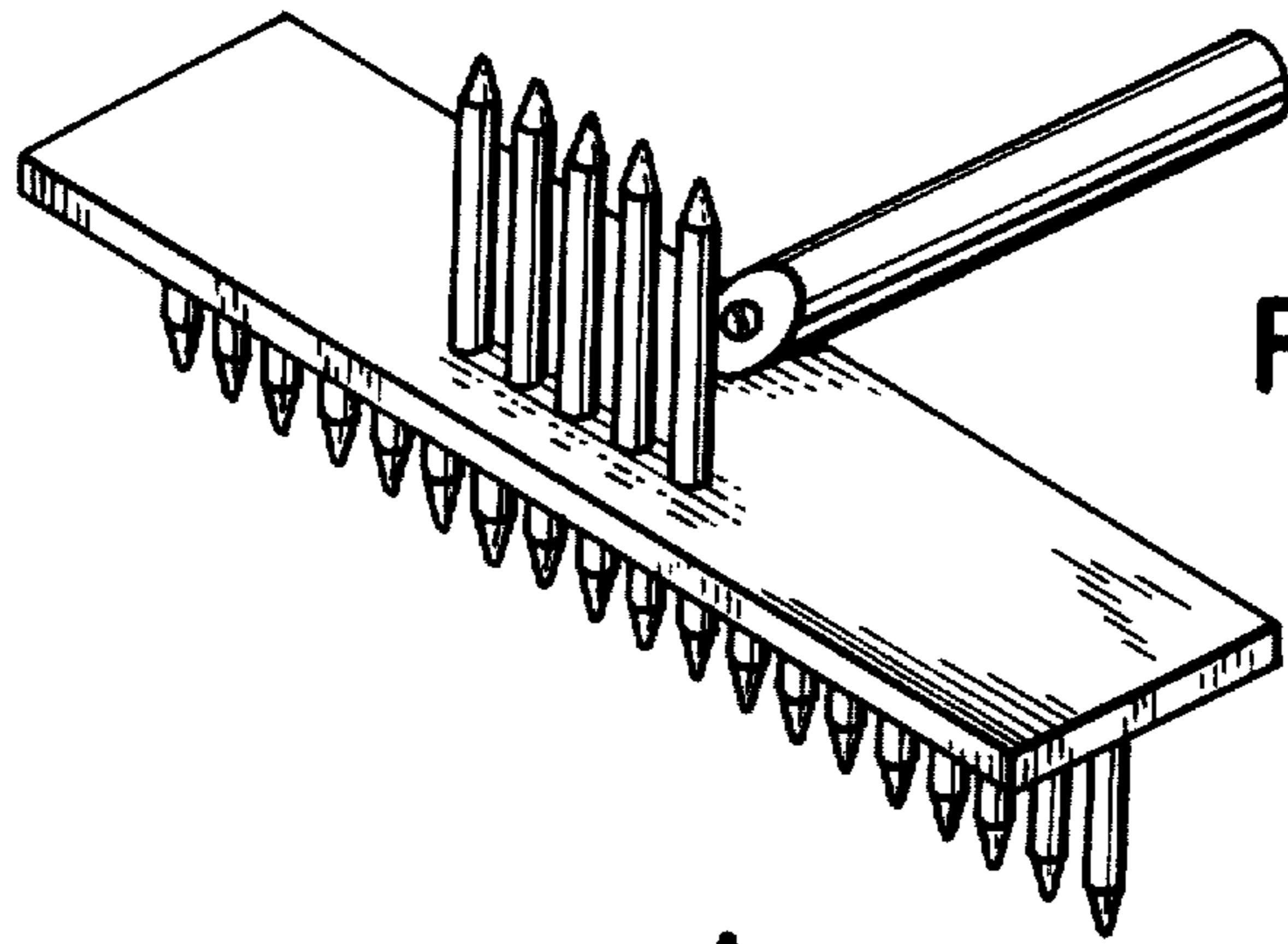


FIG. 1

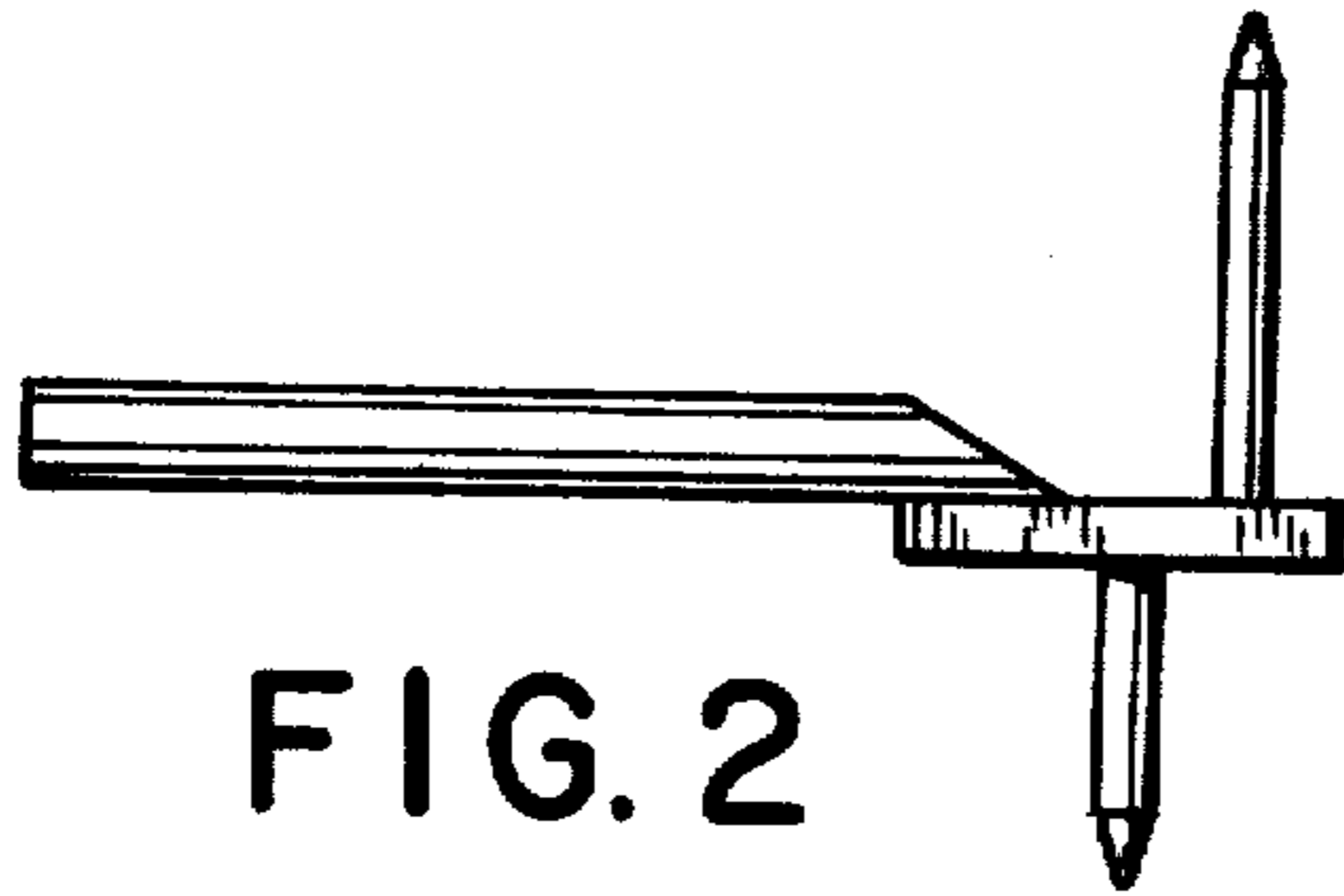


FIG. 2

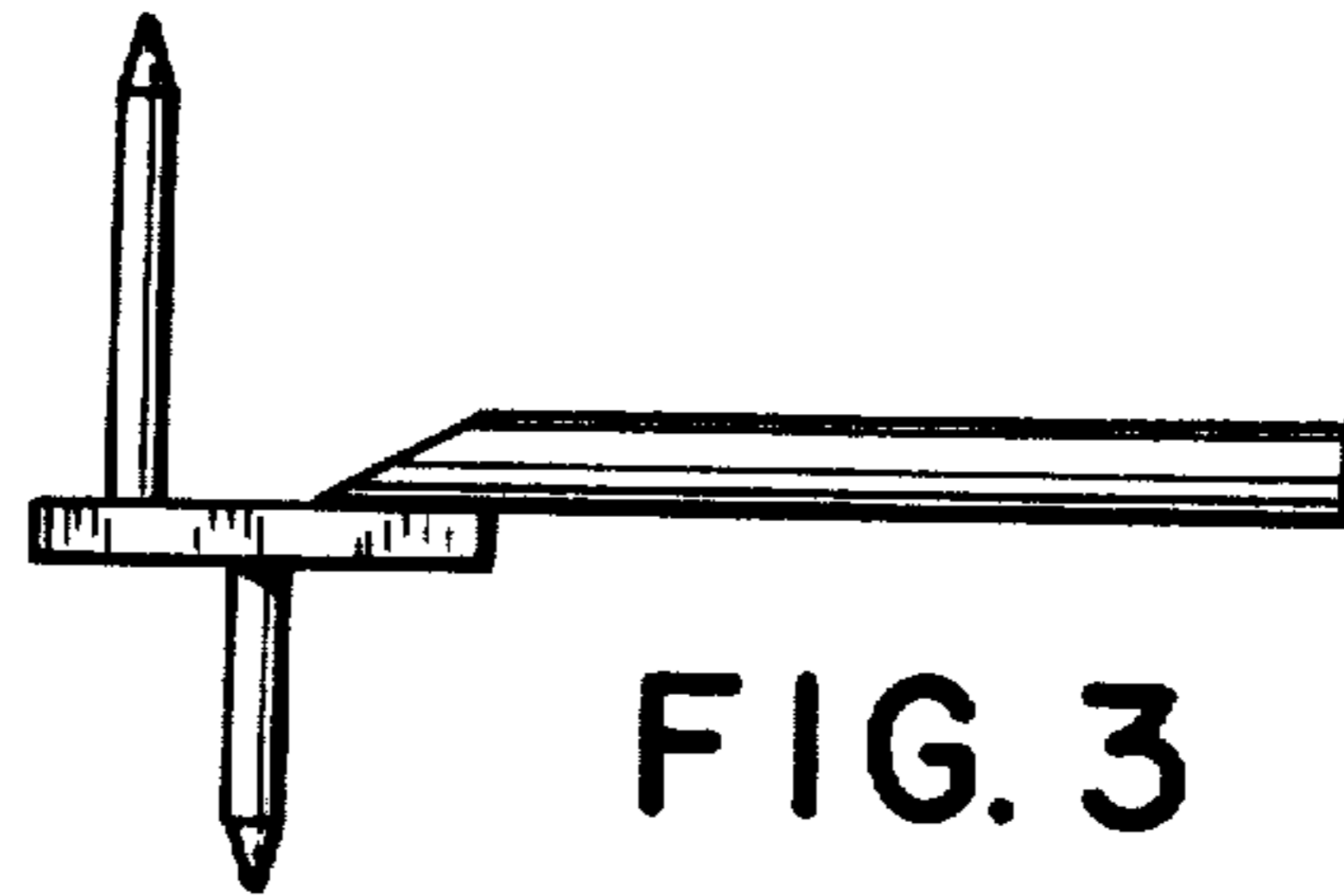


FIG. 3

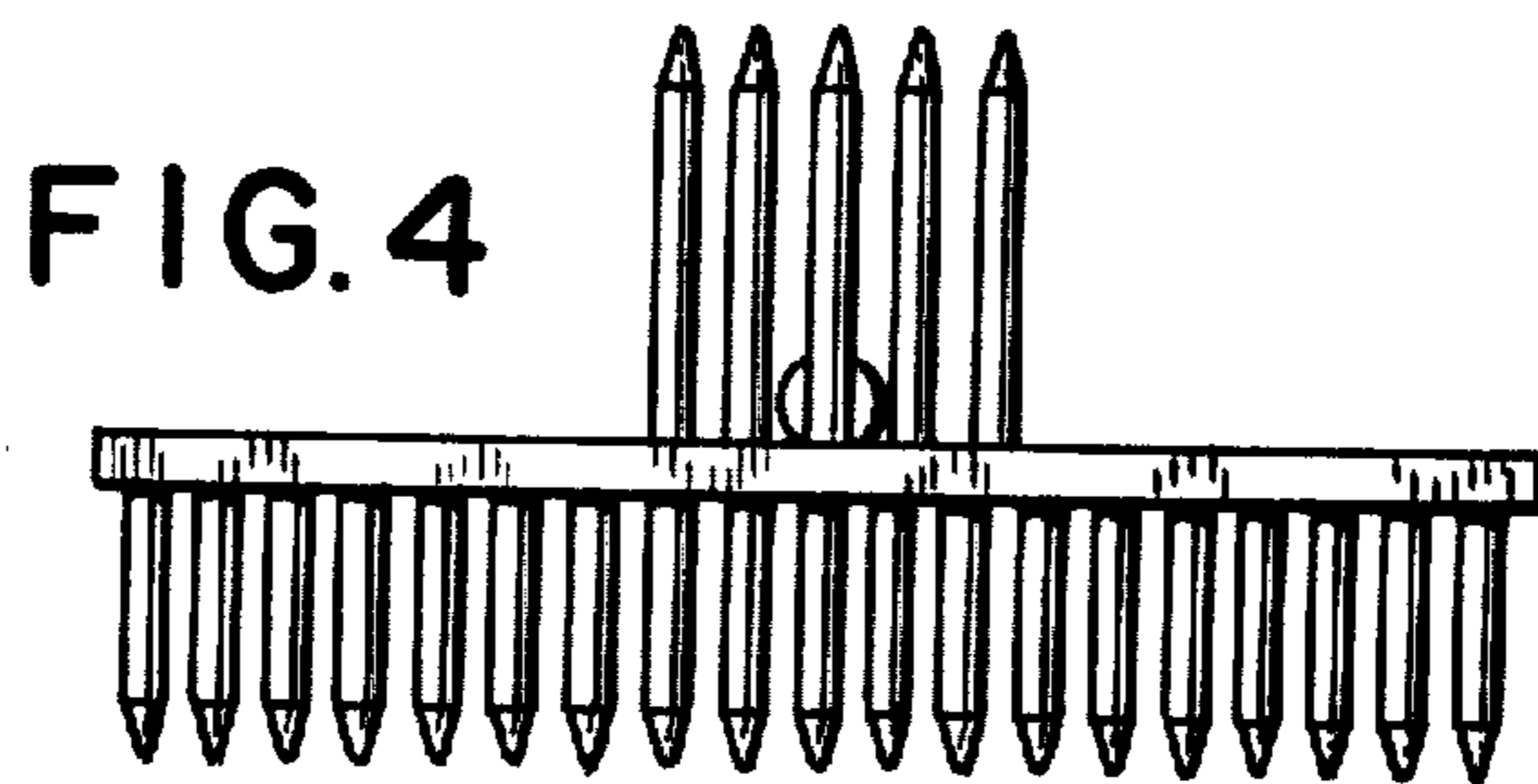


FIG. 4

FIG. 5

