

[54] FOOD COMPARTMENT FOR A LUNCHBOX

[76] Inventor: Ollie L. Parmley, 1100 B Rivergrove Apartments, Scottsboro, Ala. 35768, now by change of name from Ollie L. Winger

[21] Appl. No.: 230,648

[22] Filed: Feb. 2, 1981

[51] Int. Cl. D03—01

[52] U.S. Cl. D7/76; D7/77

[58] Field of Search D7/76, 77, 38, 21, 129, D7/96 L, 387, 213, 357

[56] References Cited

U.S. PATENT DOCUMENTS

D. 103,916	3/1937	Scurlock	D7/76
3,326,357	6/1967	Miller	D7/77 X
3,784,787	1/1974	Shevlin	D7/38 X
4,024,731	5/1977	Branscum	D7/77 X

Primary Examiner—Winifred E. Herrmann
Attorney, Agent, or Firm—C. A. Phillips

[57] CLAIM

The ornamental design for a food compartment for a lunchbox, substantially as shown and described.

DESCRIPTION

FIG. 1 is an exploded top perspective view of a food compartment for a lunchbox showing my new design. The portion in broken lines is a lunchbox in which the food compartment of my design would be accommodated.

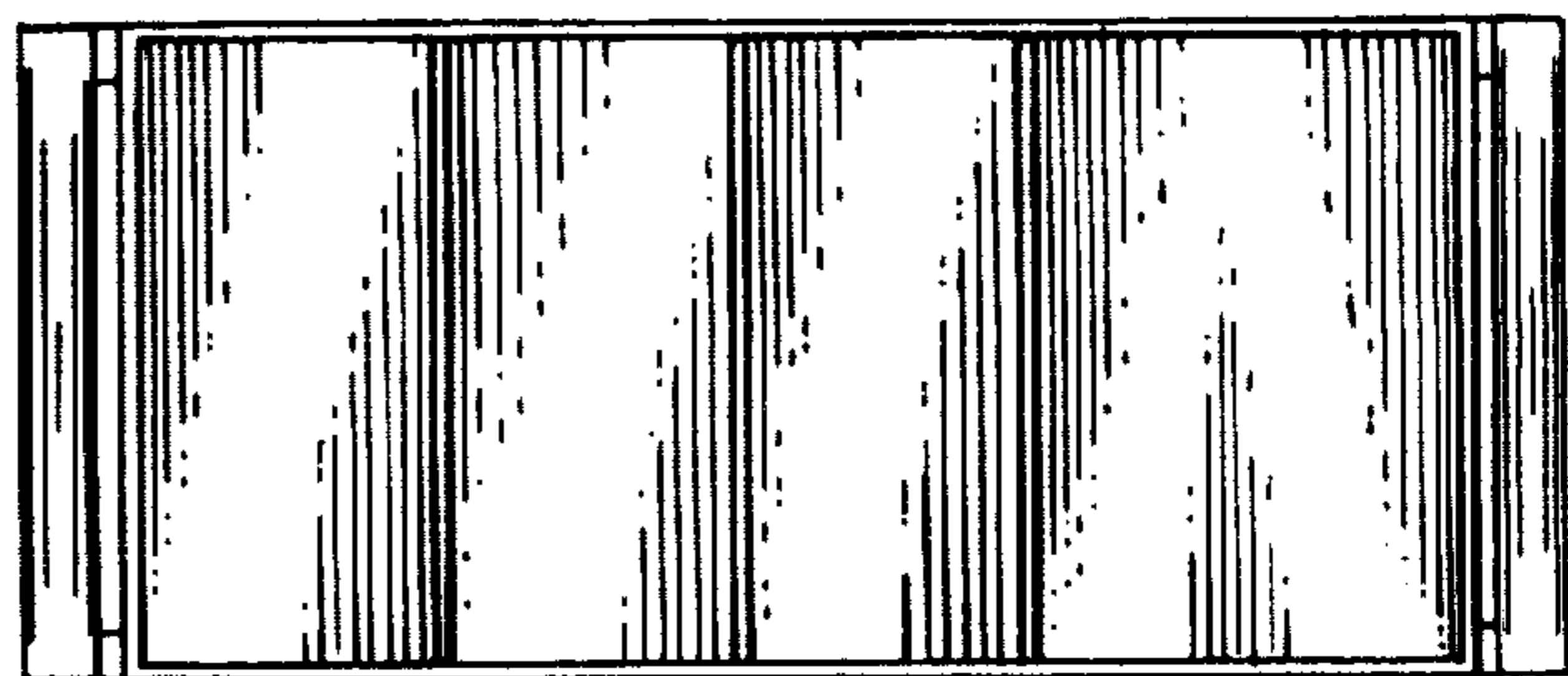
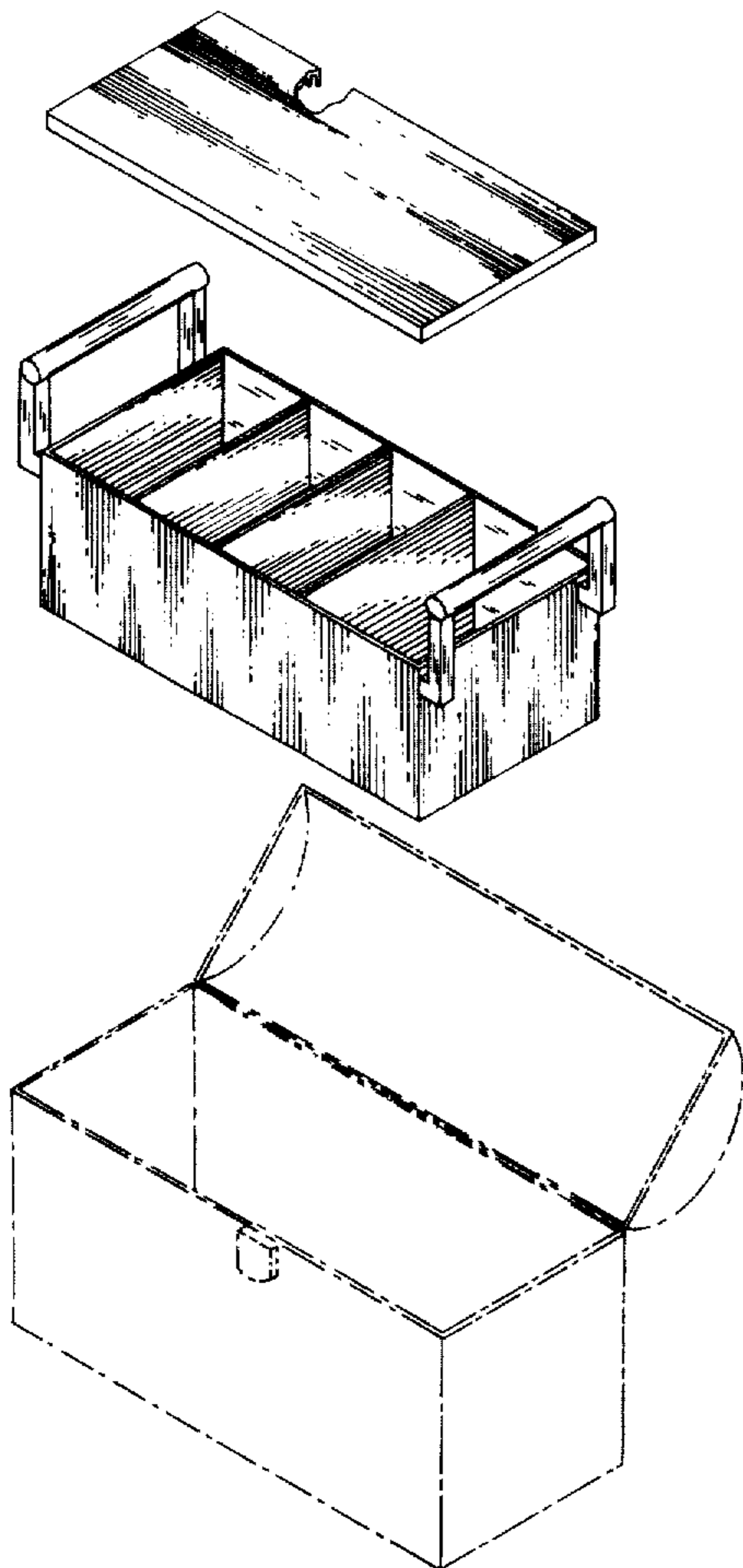
FIG. 2 is a bottom perspective view of the cover thereof;

FIG. 3 is a top plan view thereof with the cover omitted;

FIG. 4 is a top plan view thereof; and,

FIG. 5 is a front or rear elevational view thereof on a reduced scale.

The bottom of the design is plane and unornamented.



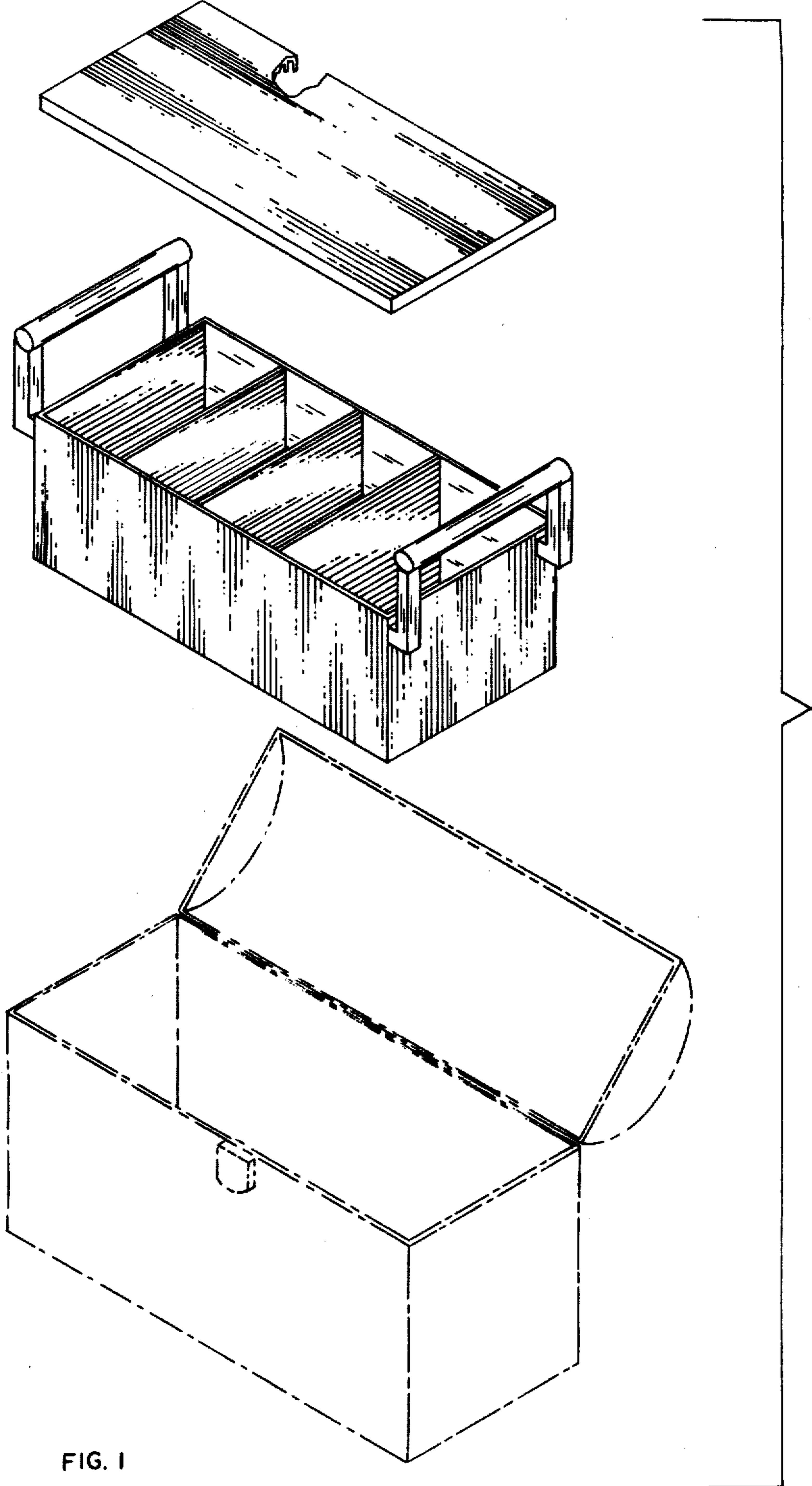


FIG. 1

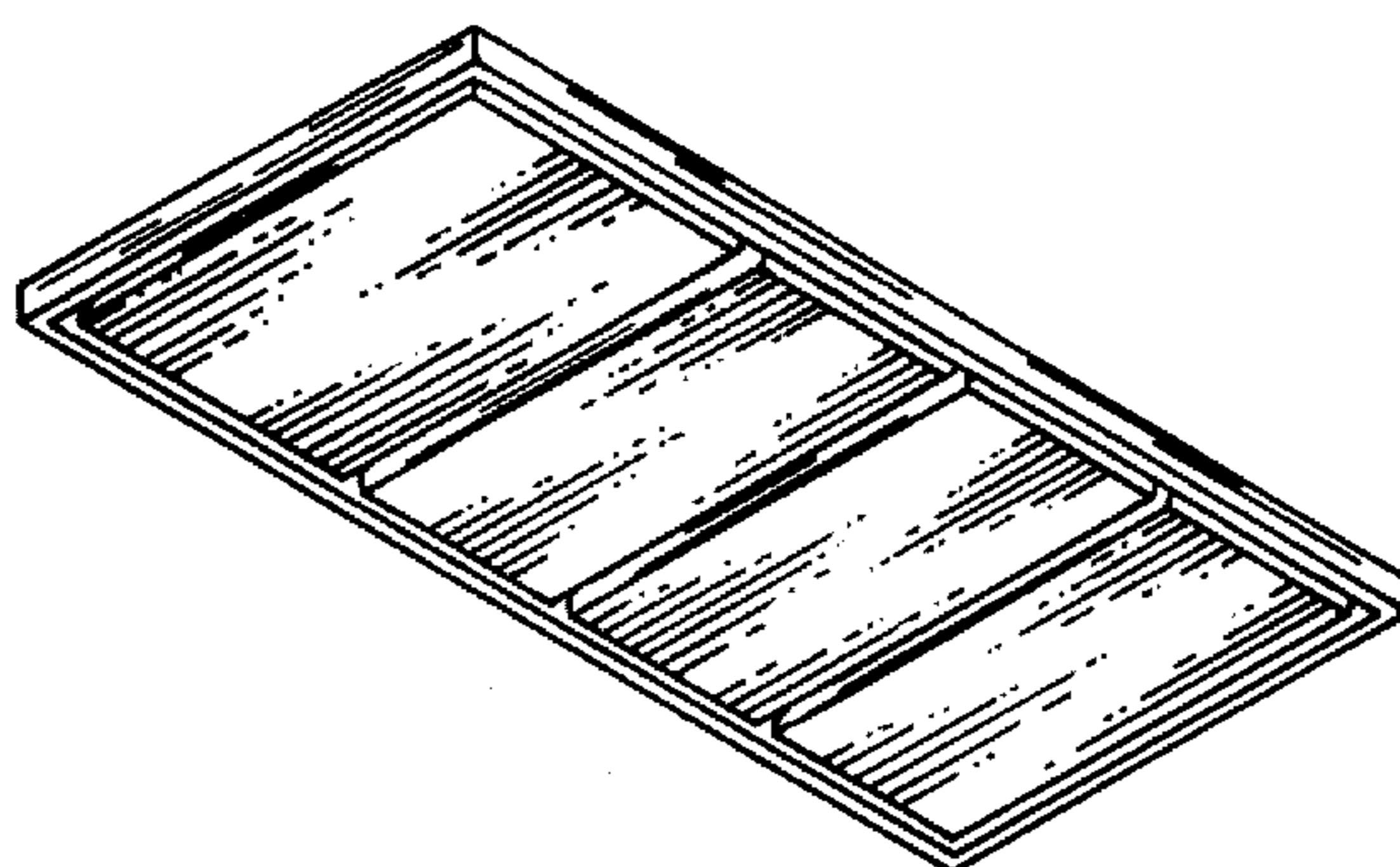


FIG. 2

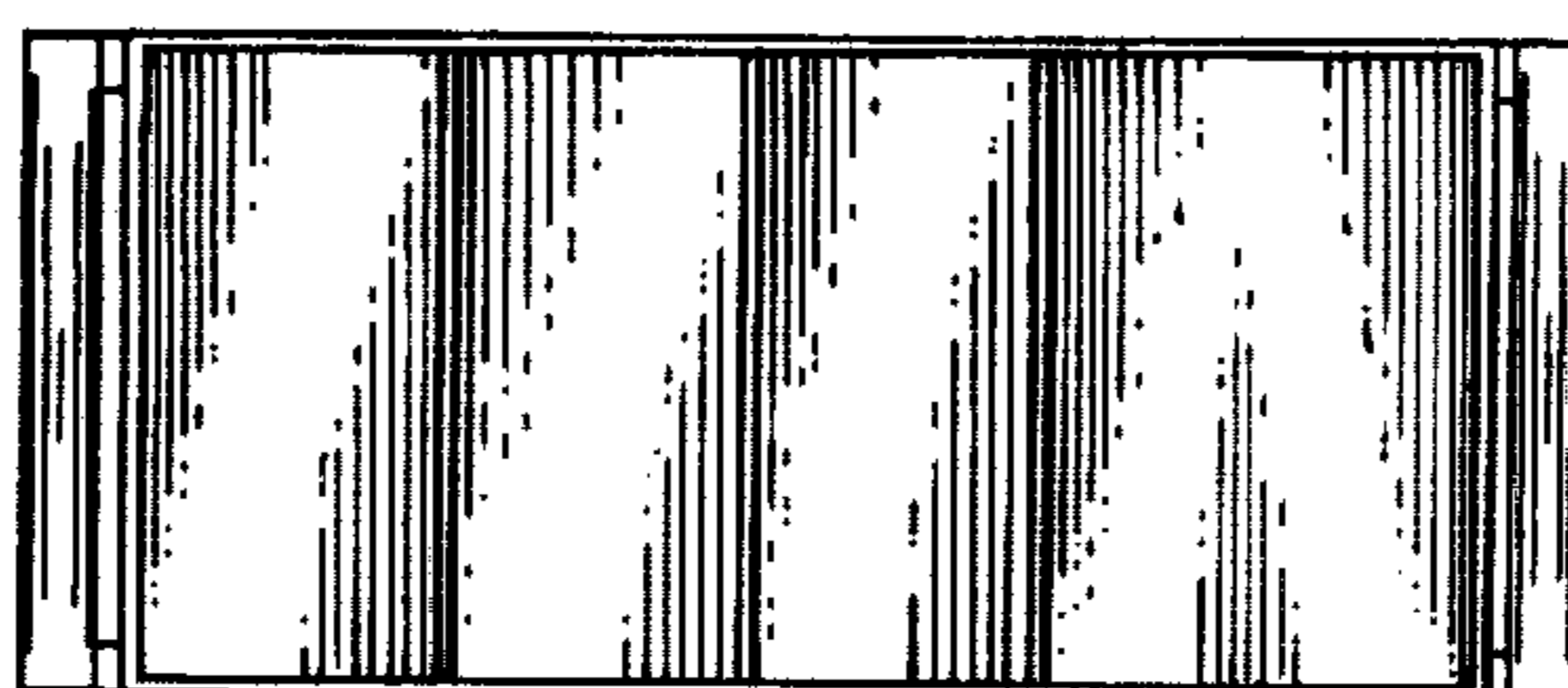


FIG. 3

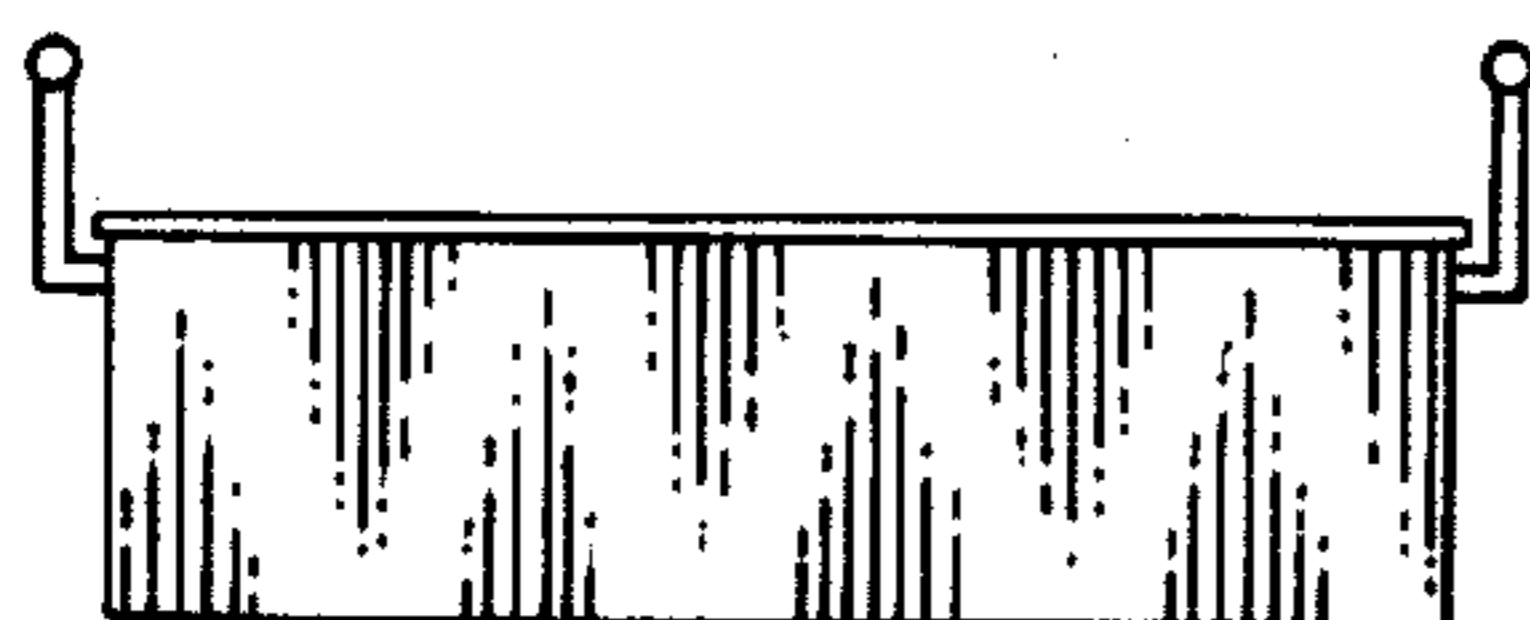


FIG. 5

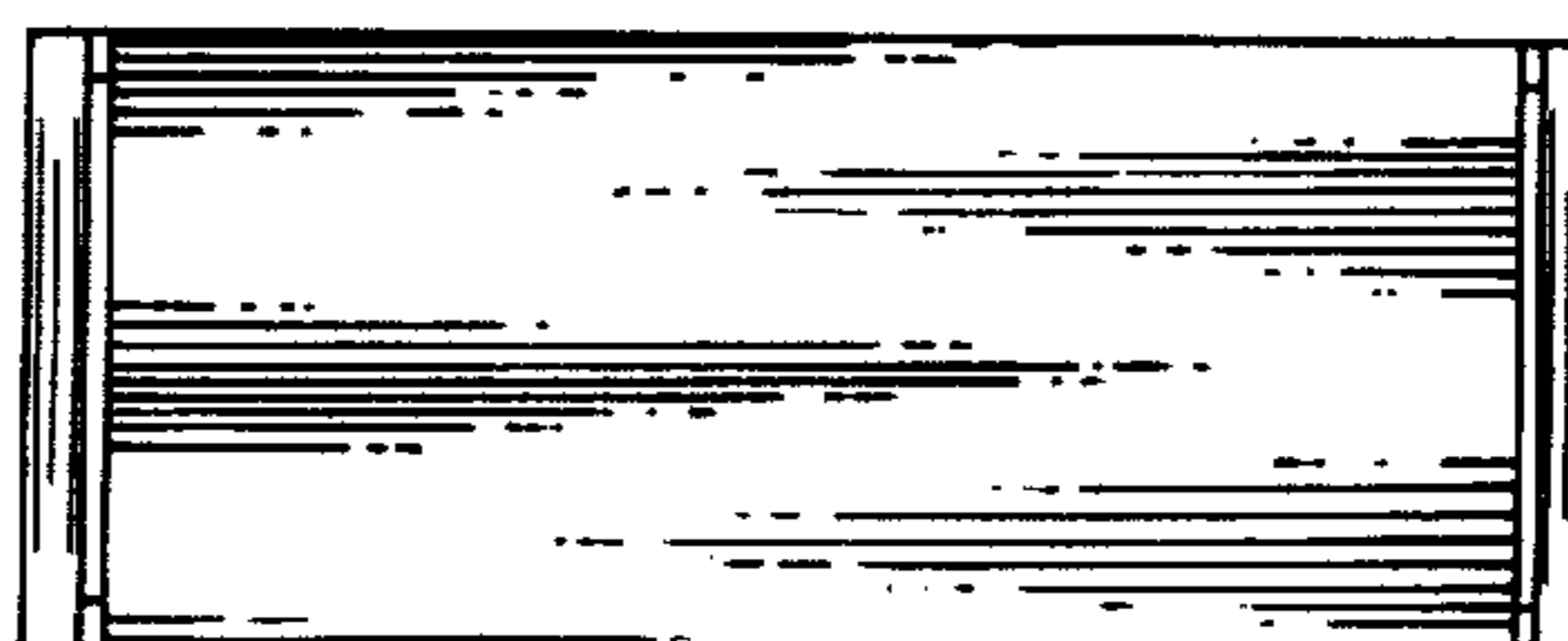


FIG. 4