

[54] **BRACELET DISPLAY STAND**

[75] **Inventor:** Raymond J. Cuminale, New York, N.Y.

[73] **Assignee:** Trifari, Krussman & Fishel, Inc., New York, N.Y.

[21] **Appl. No.:** 271,576

[22] **Filed:** Jun. 8, 1981

[51] **Int. Cl.** D06-04

[52] **U.S. Cl.** D6/186

[58] **Field of Search** D6/85, 181, 151, 153, D6/157, 186, 188, 20; 211/13

[56] **References Cited**

U.S. PATENT DOCUMENTS

D. 74,524 2/1928 Singer D6/188

OTHER PUBLICATIONS

Jewelers' Circular-Keystone Directory, Jun. 21, 1976, p. 349, "Marcus Display Unit #M/6" on page.

Jewelers' Circular-Keystone Directory, Jun. 21, 1976, p. 535; "Astra Products for Jewelry Stand B-22", third from top far right column.

Primary Examiner—Joel Stearman

Assistant Examiner—Carmen H. Vales

Attorney, Agent, or Firm—Stephen P. Gilbert

[57] **CLAIM**

The ornamental design for a bracelet display stand, as shown and described.

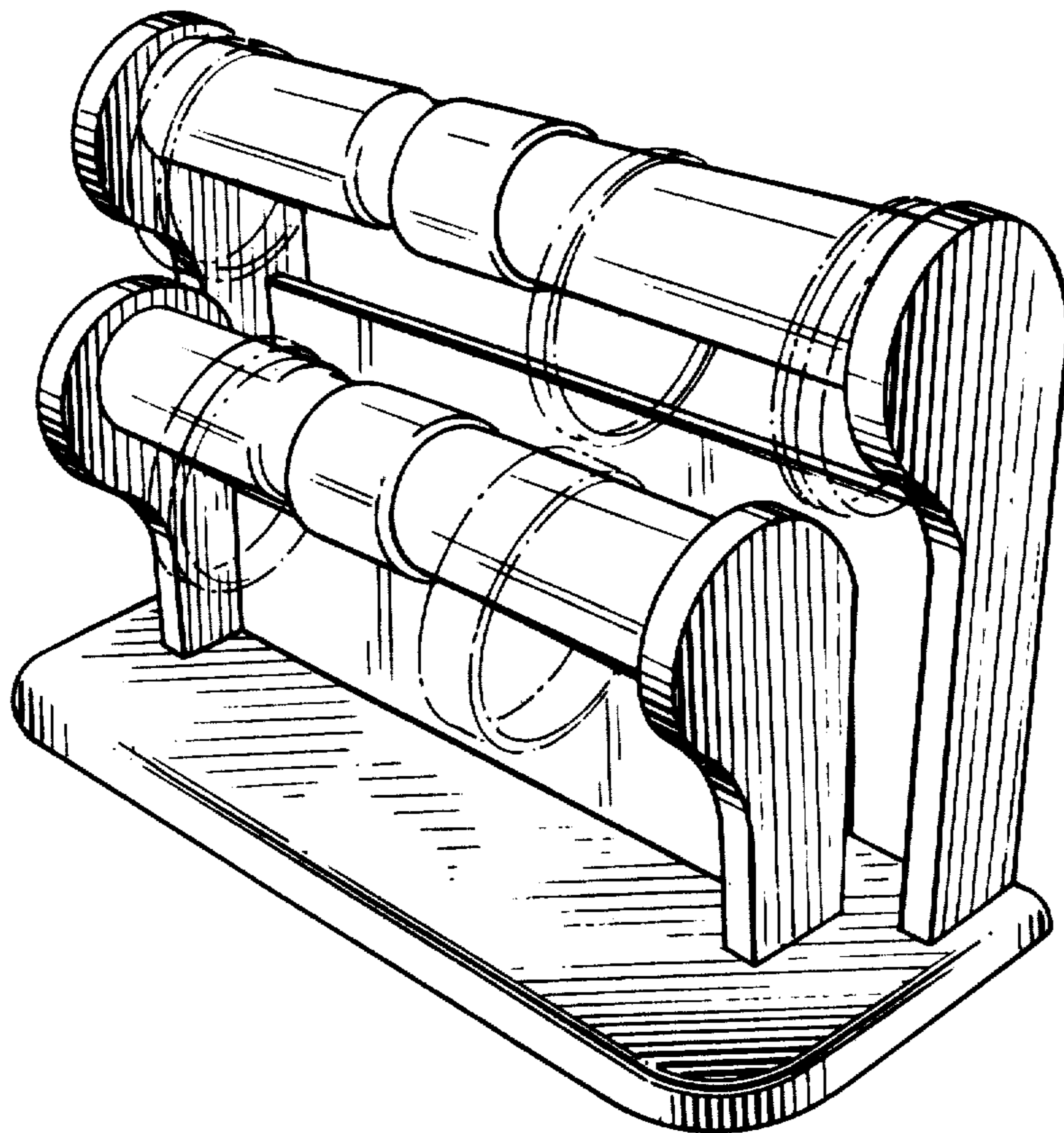
DESCRIPTION

FIG. 1 is a perspective view of a bracelet display stand showing my new design, the showing of bracelets in broken lines being for illustrative purposes only;

FIG. 2 is a front elevational view thereof;

FIG. 3 is a rear perspective view thereof;

FIG. 4 is a right side elevational view thereof.



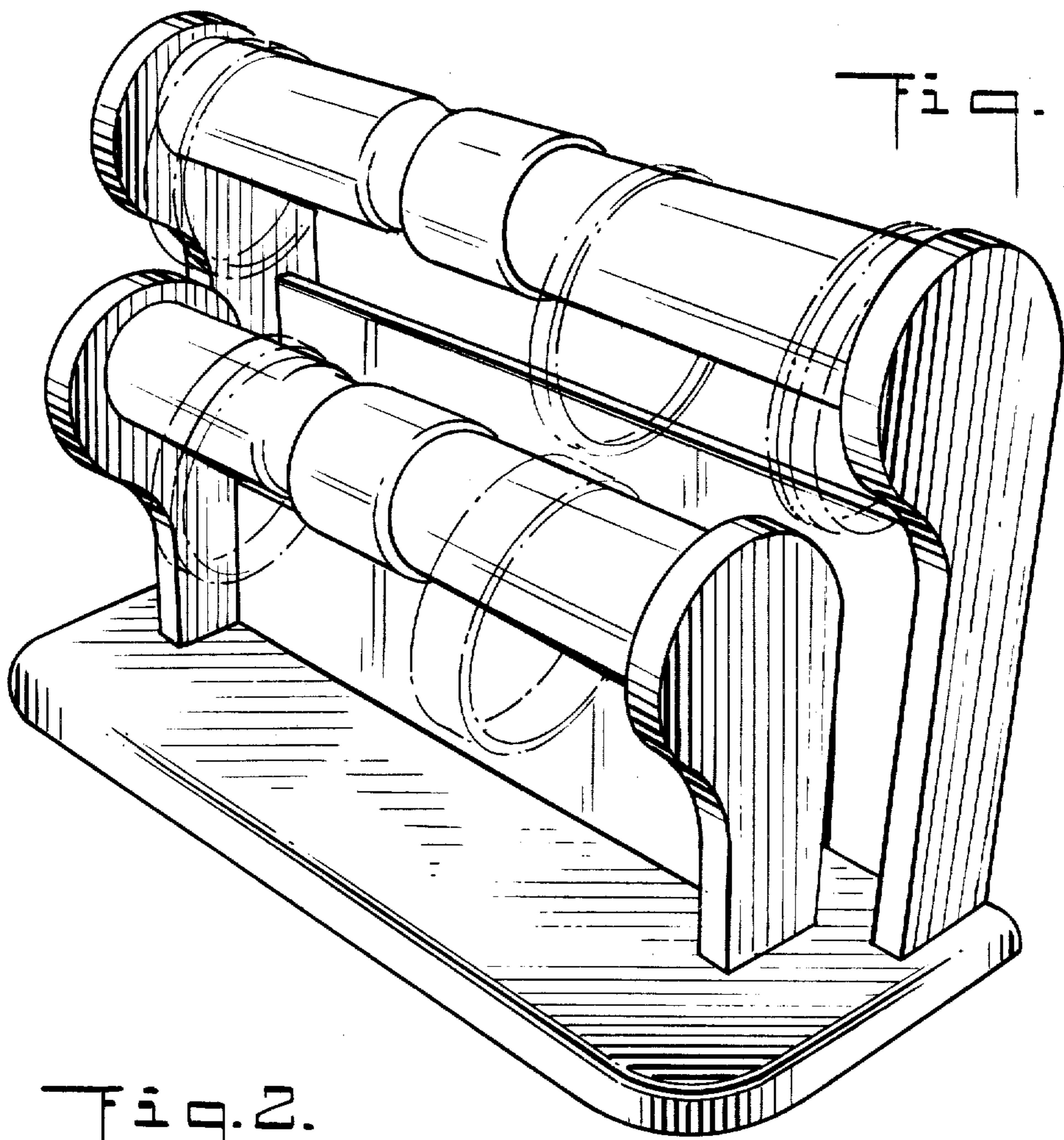
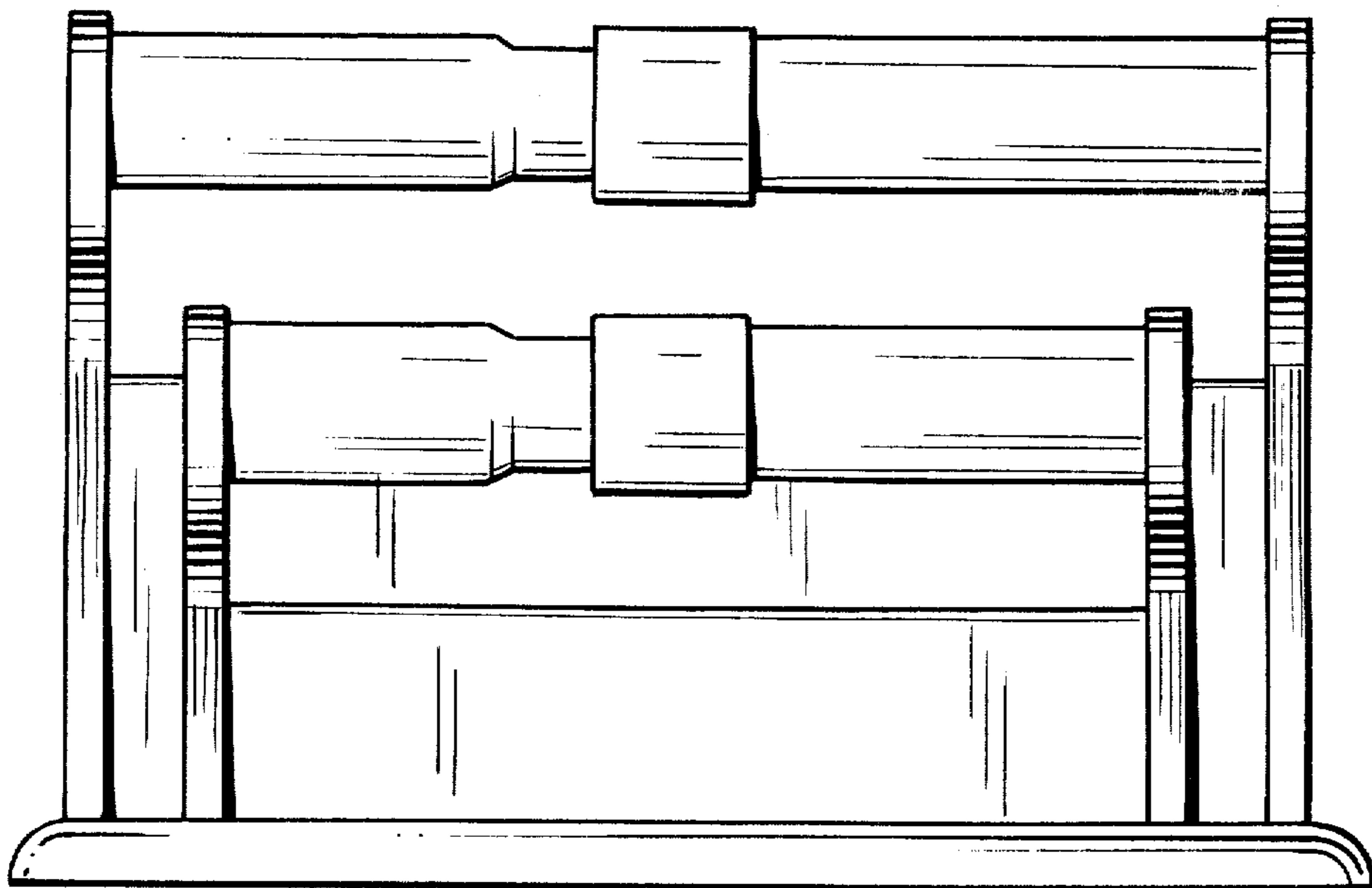


Fig. 1.

Fig. 2.



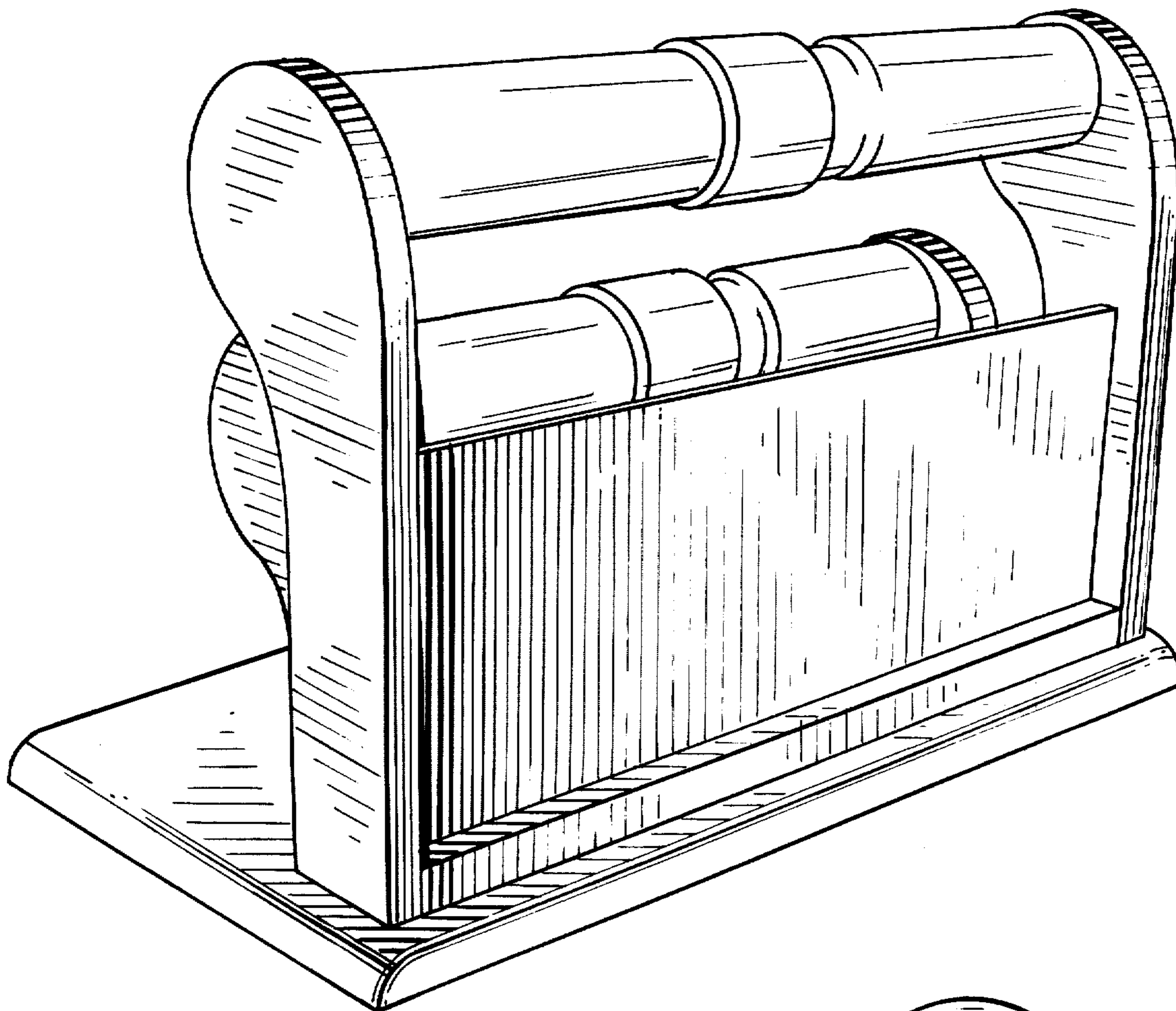


Fig. 3.

Fig. 4.

