

[54] **DESK**

[76] **Inventor:** Roger Daventry, Unit 13, 531 Hay St., Subiaco, 6008, Western Australia, Australia

[21] **Appl. No.:** 207,061

[22] **Filed:** Nov. 9, 1980

[30] **Foreign Application Priority Data**

May 9, 1980 [AU] Australia 80925

[51] **Int. Cl.** D6-04

[52] **U.S. Cl.** D6/161

[58] **Field of Search** D6/158-179

[56] **References Cited**

U.S. PATENT DOCUMENTS

D. 240,184 6/1976 Neuschafer D6/161
D. 258,184 2/1981 Nelson D6/161 X
3,401,995 9/1968 Ogden D6/162 X

OTHER PUBLICATIONS

Intrex Cat., Jul. 1977, p. 51, desk bottom left.

Primary Examiner—Bruce W. Dunkins
Attorney, Agent, or Firm—Harness, Dickey & Pierce

[57] **CLAIM**

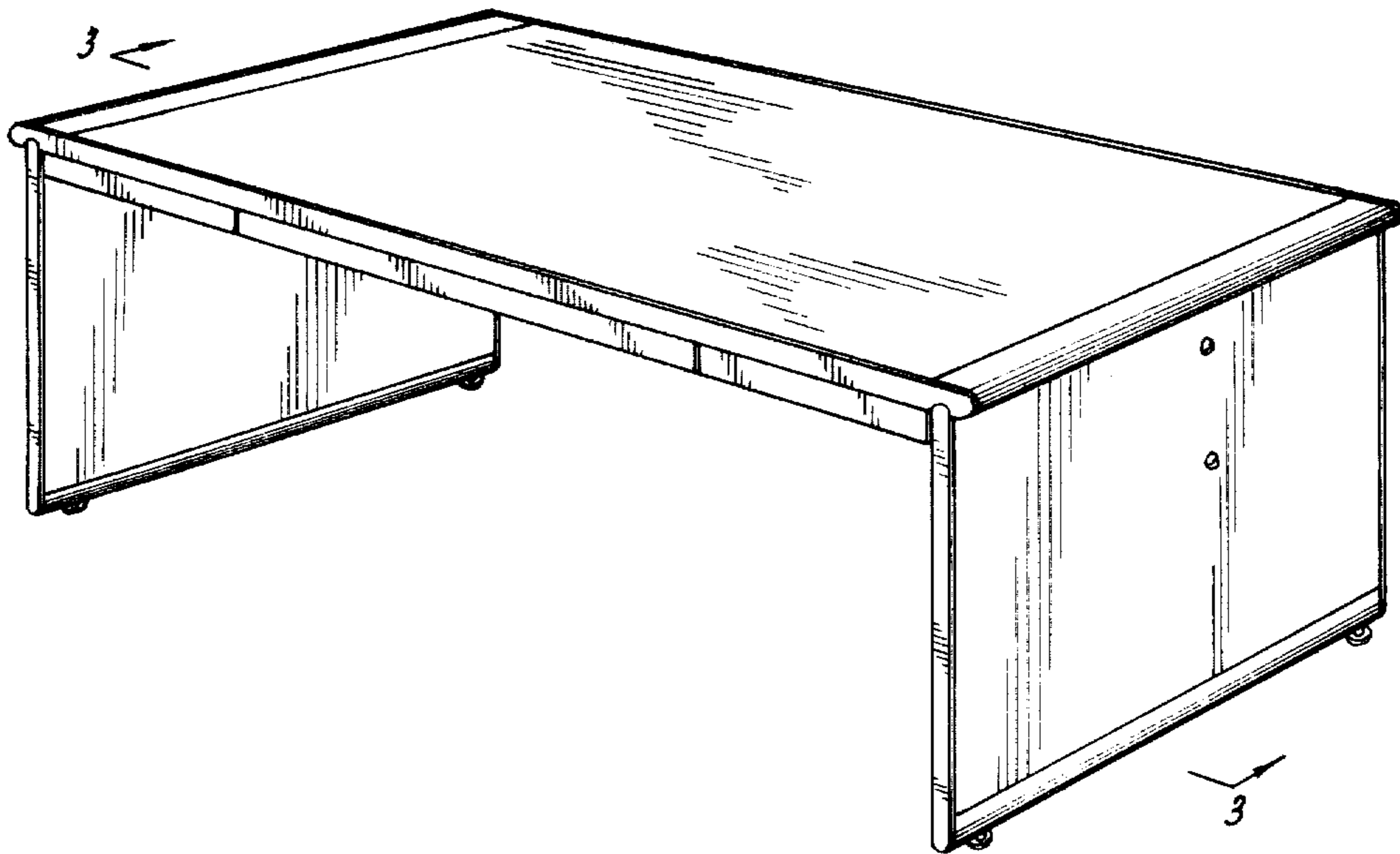
The ornamental design for a desk, substantially as shown.

DESCRIPTION

FIG. 1 is a rear perspective view of a desk showing my design.

FIG. 2 is a front perspective view.

FIG. 3 is a sectional view taken along the line 3-3 of FIG. 1.



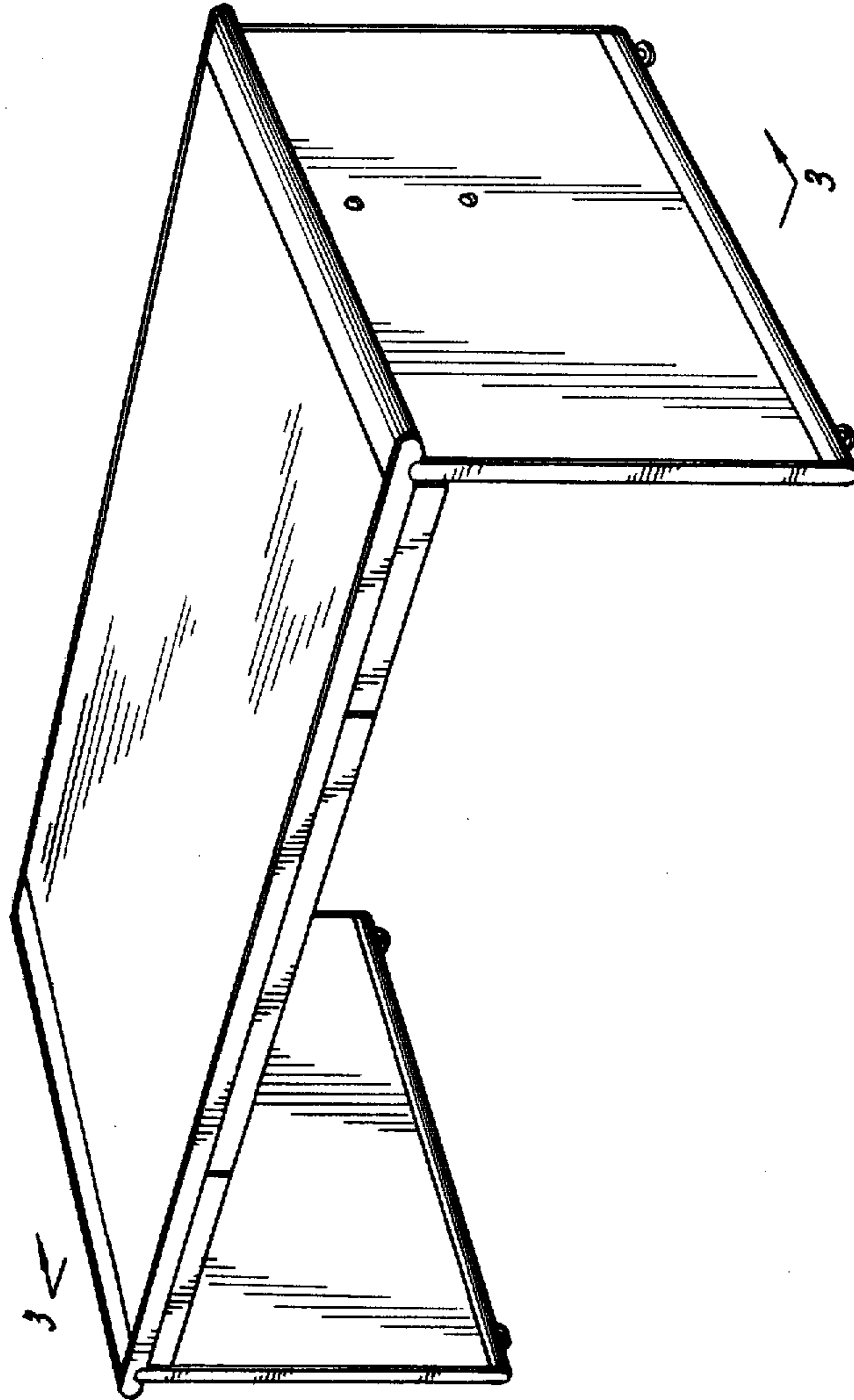


FIG. 1

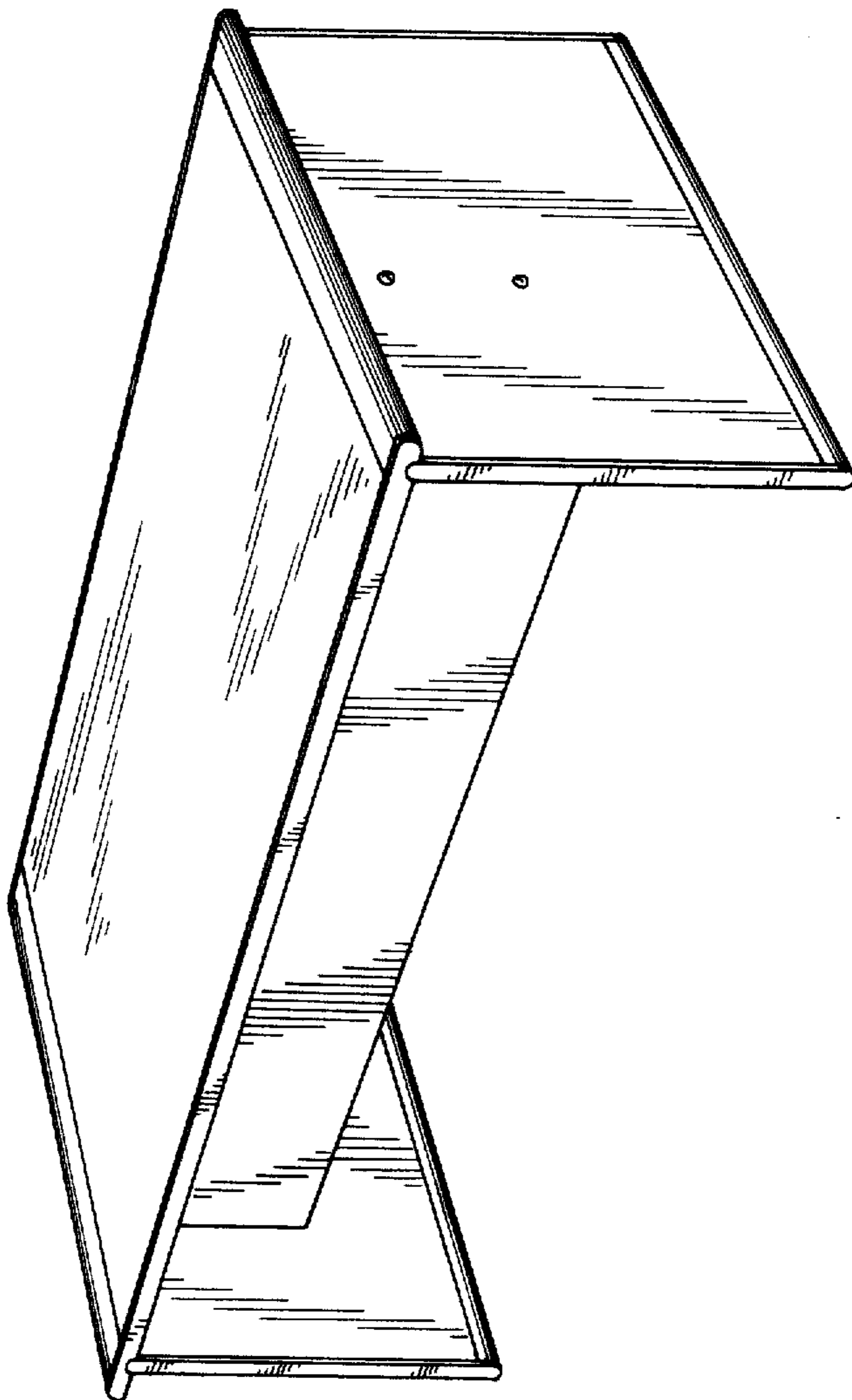


Fig. 2

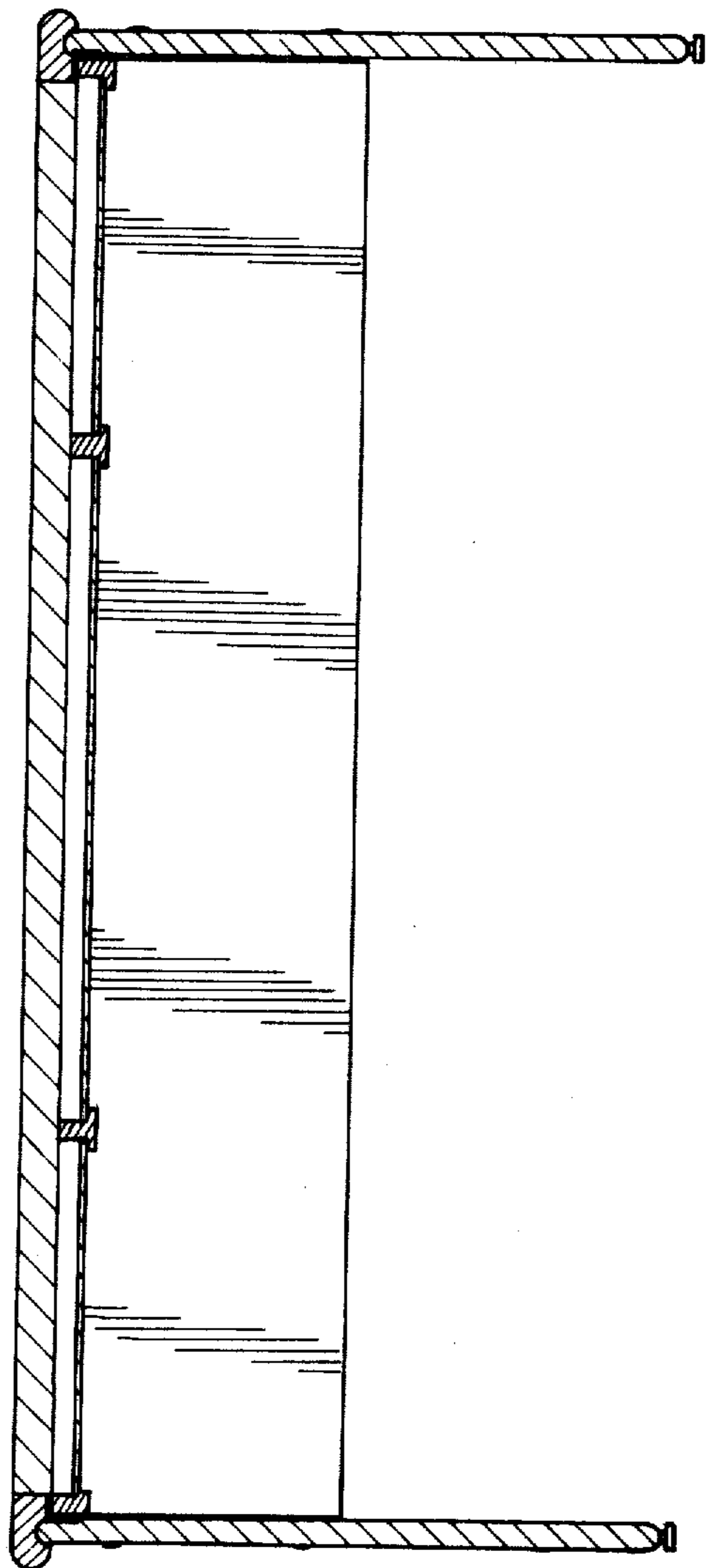


Fig. 3