

[54] PORTABLE STAND FOR SAFELY INFLATING TIRE AND WHEEL ASSEMBLIES

[75] Inventor: John D. Kusner, Mayfield Heights, Ohio

[73] Assignee: Warren Tool Corporation, Warren, Ohio

[21] Appl. No.: 251,480

[22] Filed: Apr. 6, 1981

[51] Int. Cl. D6-06

[52] U.S. Cl. D6/85

[58] Field of Search D12/115; D6/85; D8/354; 211/20, 21, 23, 24

[56] References Cited

U.S. PATENT DOCUMENTS

649,402 5/1900 Clark 211/21
3,355,028 11/1967 Mork 211/21

FOREIGN PATENT DOCUMENTS

243950 2/1947 Switzerland D12/115
875230 8/1961 United Kingdom 211/24

Primary Examiner—James M. Gandy
Attorney, Agent, or Firm—Michael Williams

[57] CLAIM

The ornamental design for a portable stand for safely inflating tire and wheel assemblies, substantially as shown and described.

DESCRIPTION

FIG. 1 is a perspective view of a portable stand for safely inflating tire and wheel assemblies showing my new design, it being understood that the broken lines are for illustrative purposes only;

FIG. 2 is a perspective view thereof in partially collapsed condition;

FIG. 3 is an enlarged side elevational view thereof;

FIG. 4 is an enlarged end elevational view thereof;

FIG. 5 is an enlarged end elevational view thereof in fully collapsed condition;

FIG. 6 is an enlarged, fragmentary sectional view corresponding to the line 6-6 of FIG. 3, but showing the parts in the fully collapsed relation of FIG. 5;

FIG. 7 is an enlarged, fragmentary sectional view corresponding to the line 7-7 of FIG. 6; and

FIG. 8 is a fragmentary sectional view corresponding to the line 8-8 of FIG. 6.

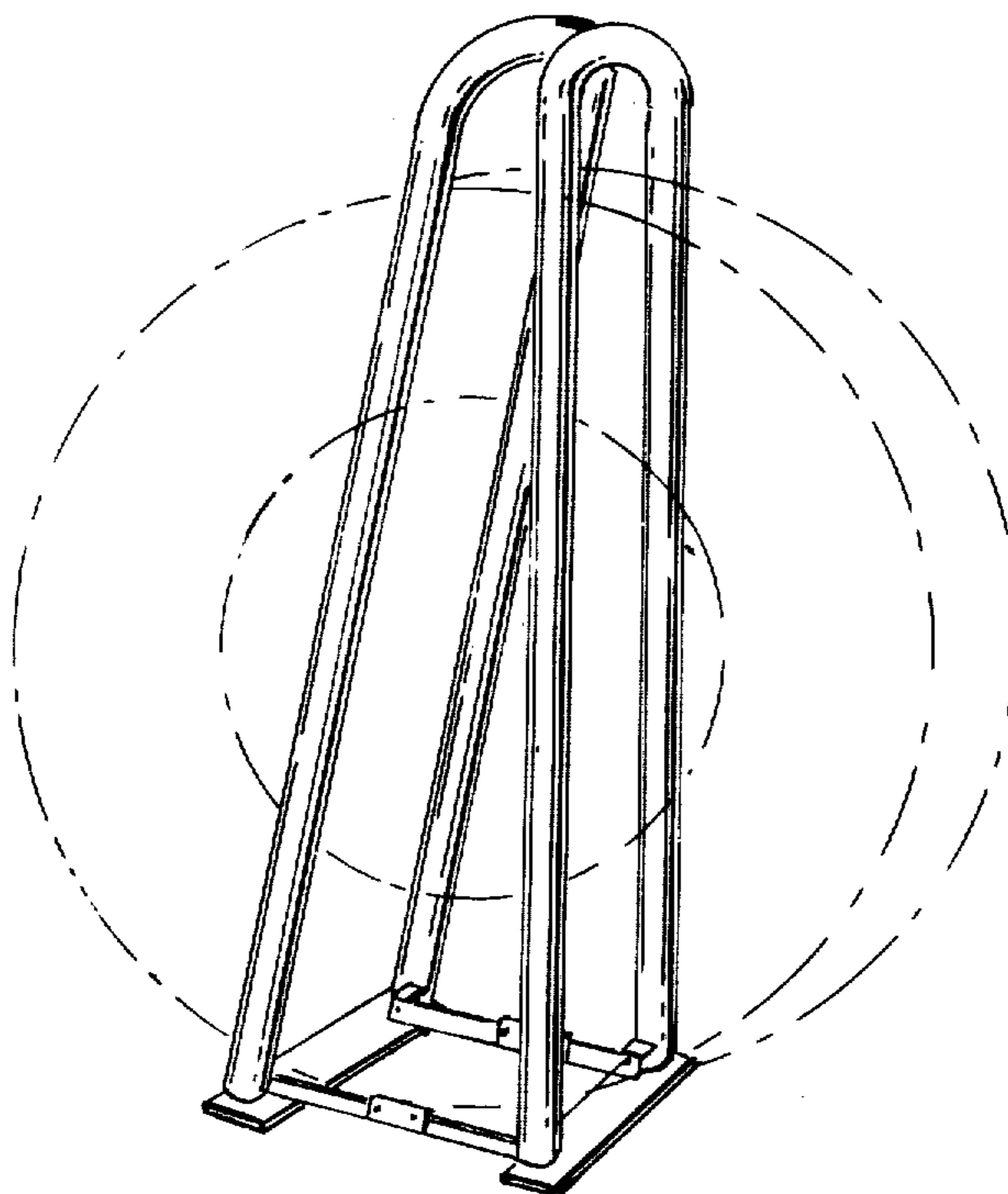


FIG. 1.

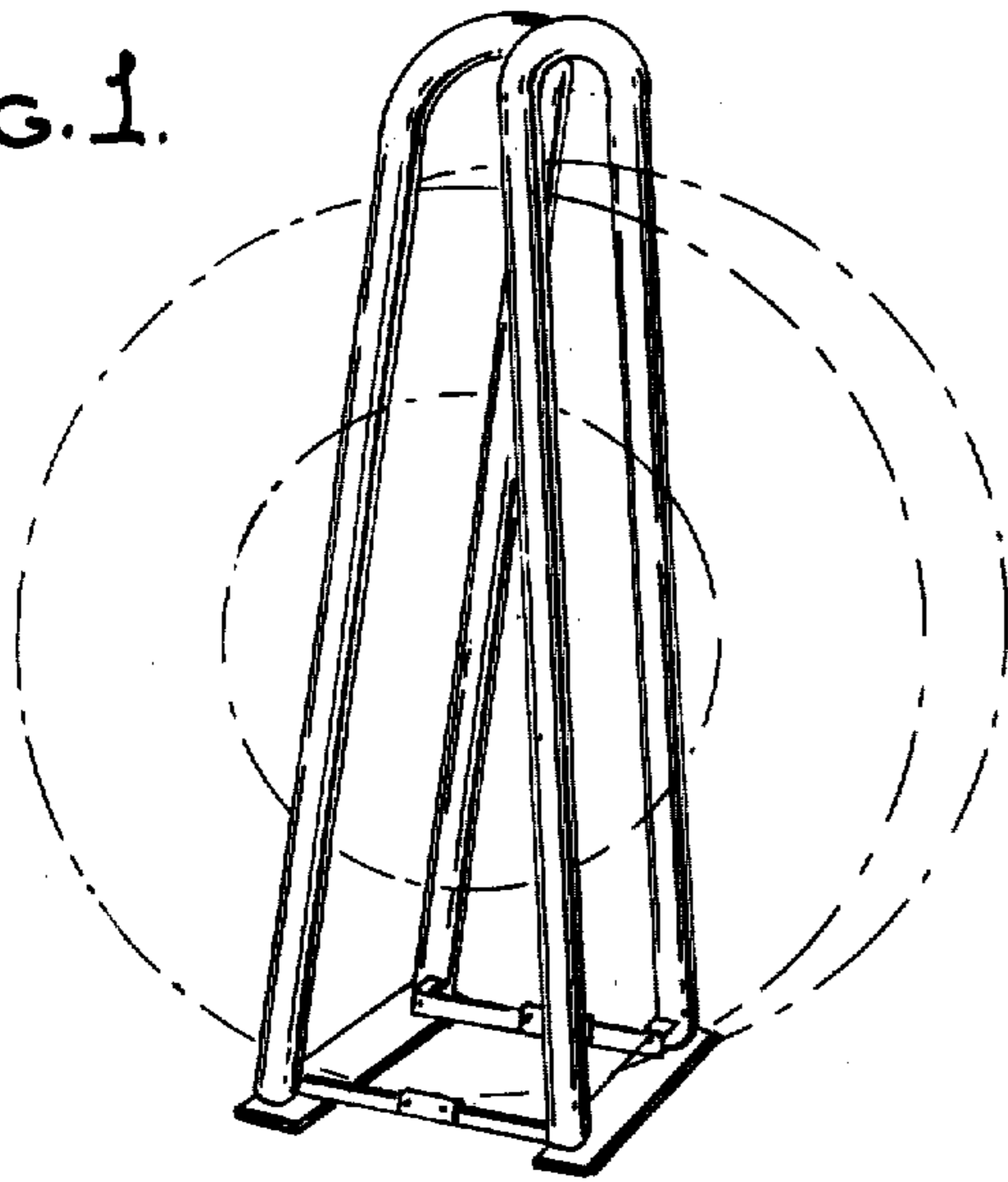


FIG. 2.



FIG. 3.

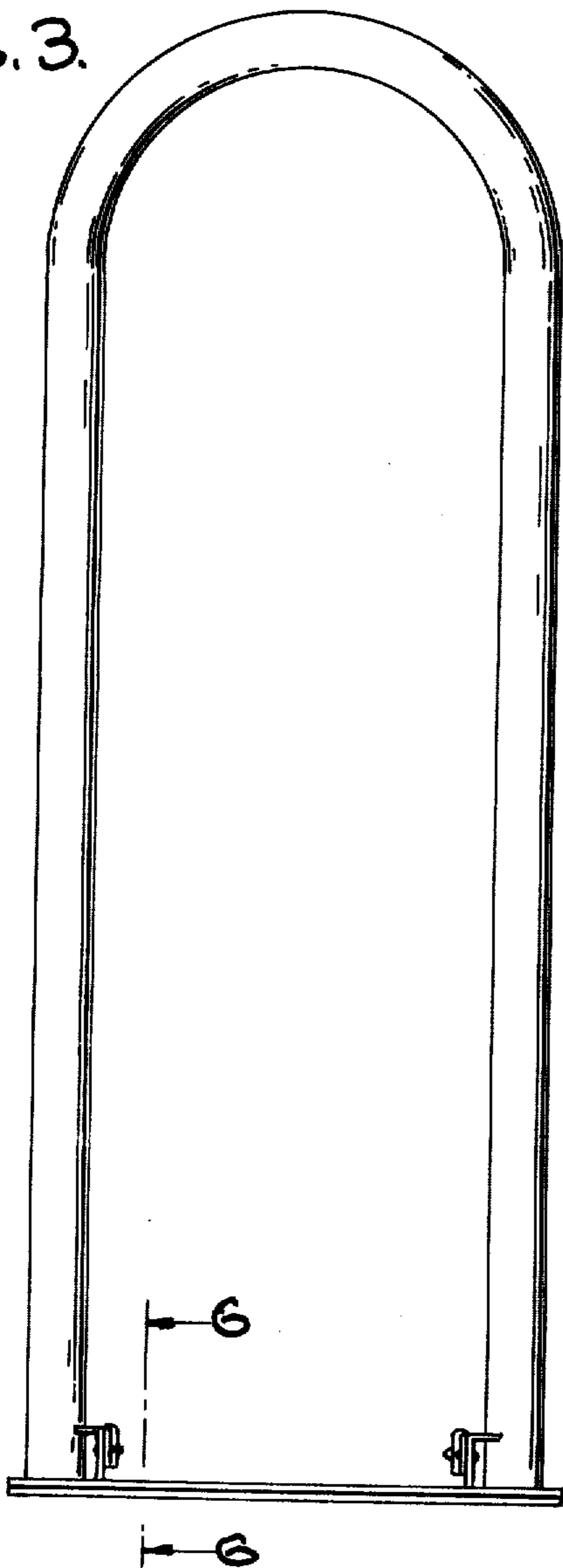


FIG. 4.

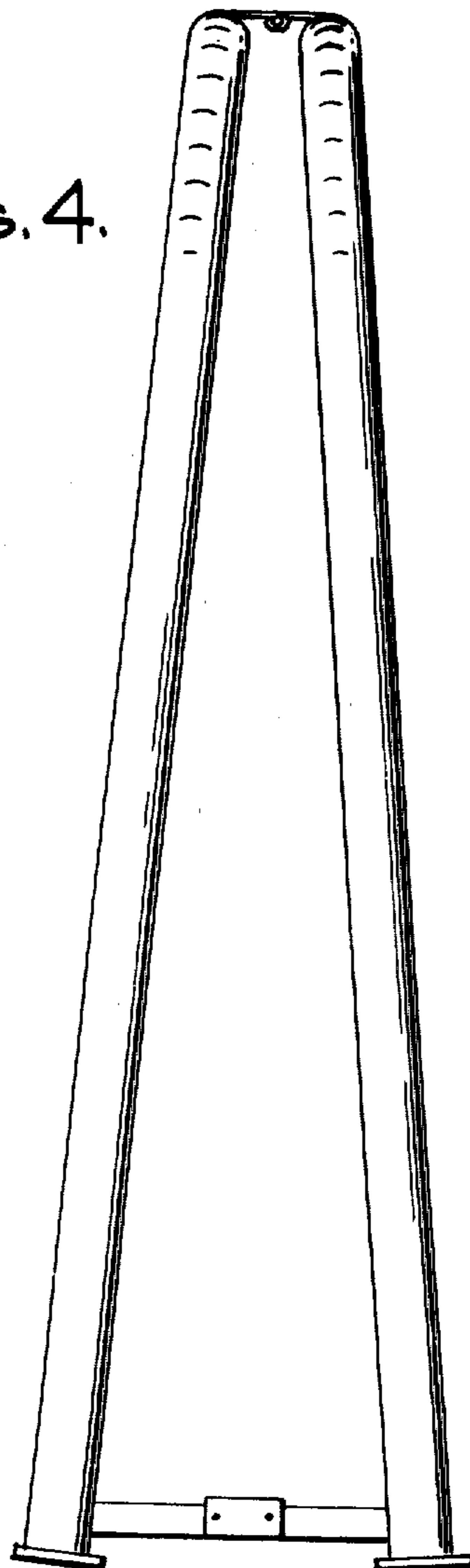


FIG. 5.

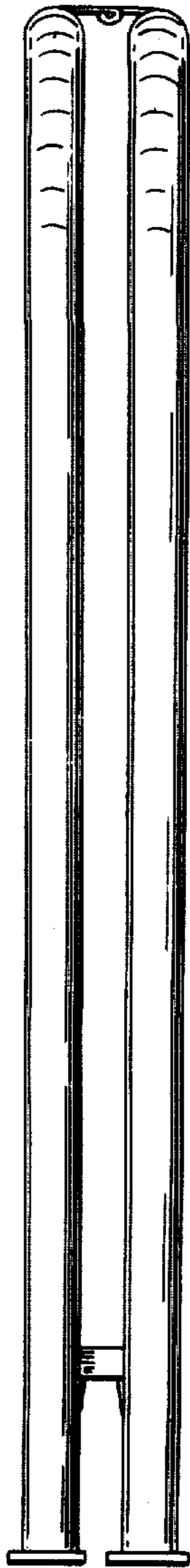


FIG. 7.

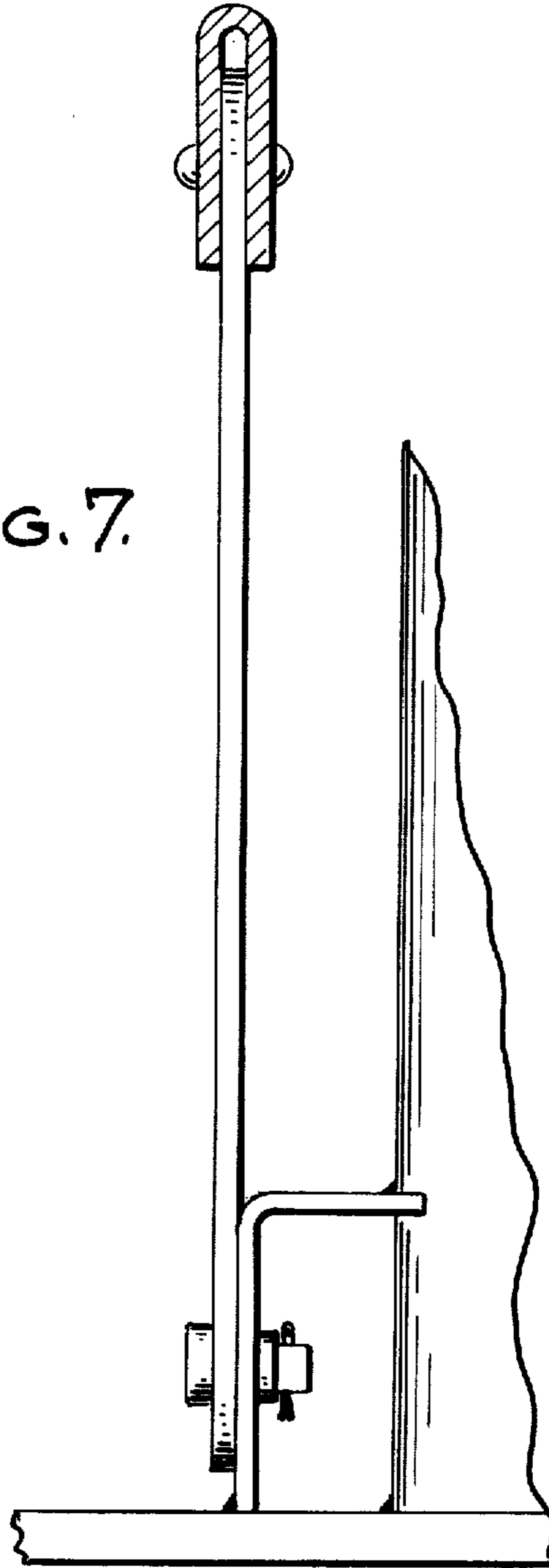


FIG. 8.

FIG. 6.

