

[54] LAWN CHAIR

[75] Inventor: Edward Secon, Trumbull, Conn.

[73] Assignee: The Sherwood Corporation, Spring City, Tenn.

[21] Appl. No.: 266,940

[22] Filed: May 26, 1981

[51] Int. Cl. D6-01

[52] U.S. Cl. D6/37; D6/70; D6/77

[58] Field of Search D6/37-39, D6/47-78

[56] References Cited

U.S. PATENT DOCUMENTS

D. 239,990	5/1976	Olko	D6/57
D. 241,093	8/1976	Olko	D6/57
D. 257,573	12/1980	Hanaford	D6/77 X
D. 266,639	10/1982	Thorpe	D6/57 X
2,623,574	12/1952	Damsch	D6/37 X

3,742,526	7/1973	Lillard	D6/37 X
3,751,739	8/1973	Assmann	D6/37 X

Primary Examiner—Bruce W. Dunkins
Attorney, Agent, or Firm—Alan Ruderman

[57] CLAIM

The ornamental design for a lawn chair, substantially as shown and described.

DESCRIPTION

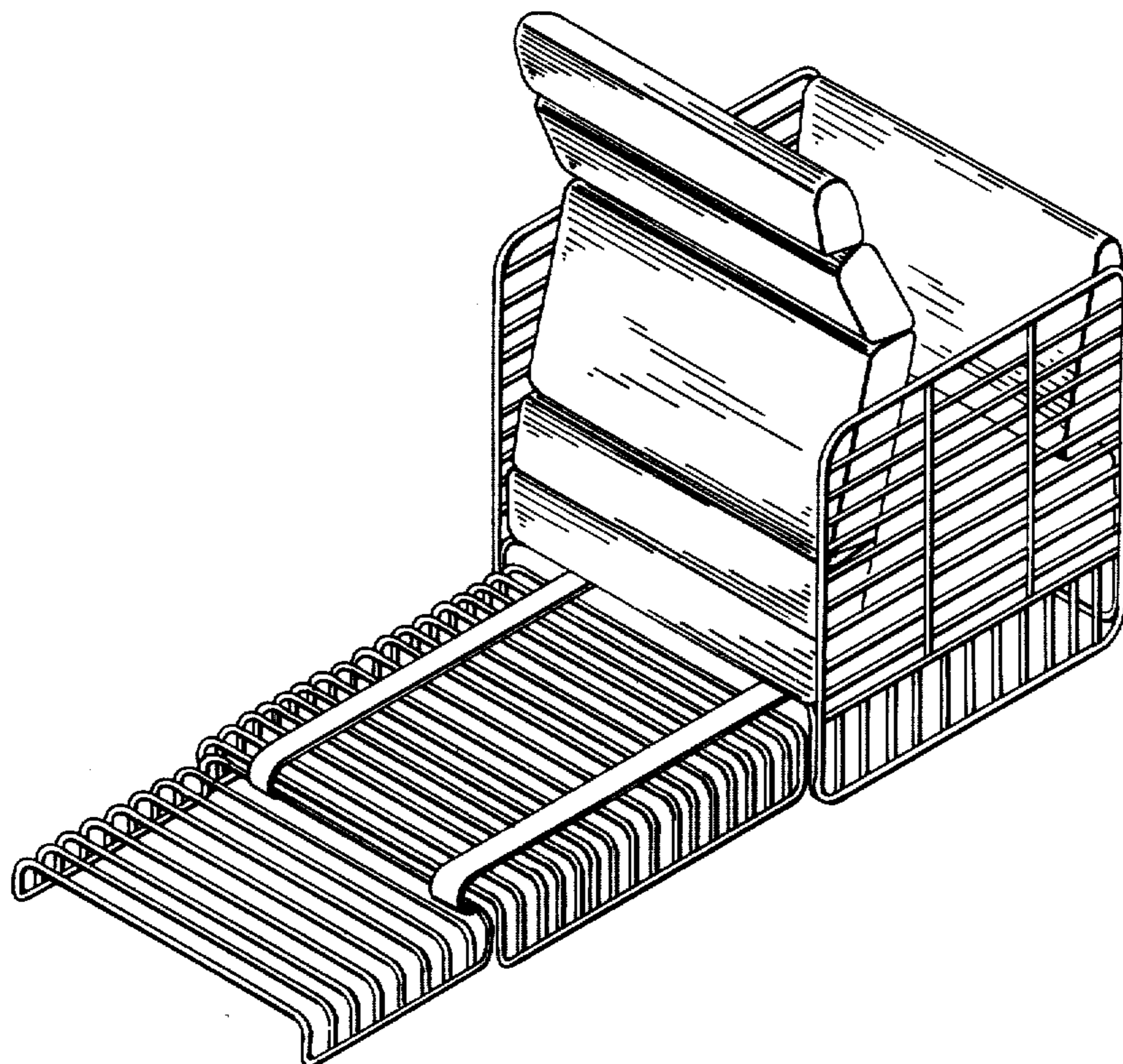
FIG. 1 is a front perspective view of a lawn chair embodying my new design;

FIG. 2 is a rear perspective view of the lawn chair with the cushion pad removed for convenience of illustration;

FIG. 3 is a front perspective view of the lawn chair similar to FIG. 1, but with the leg support members extended for use as a chaise lounge;

FIG. 4 is a view similar to FIG. 3 illustrating the cushion pad in a partially unfolded condition; and

FIG. 5 is a view similar to FIG. 4 with the cushion pad unfolded to the chaise lounge condition.



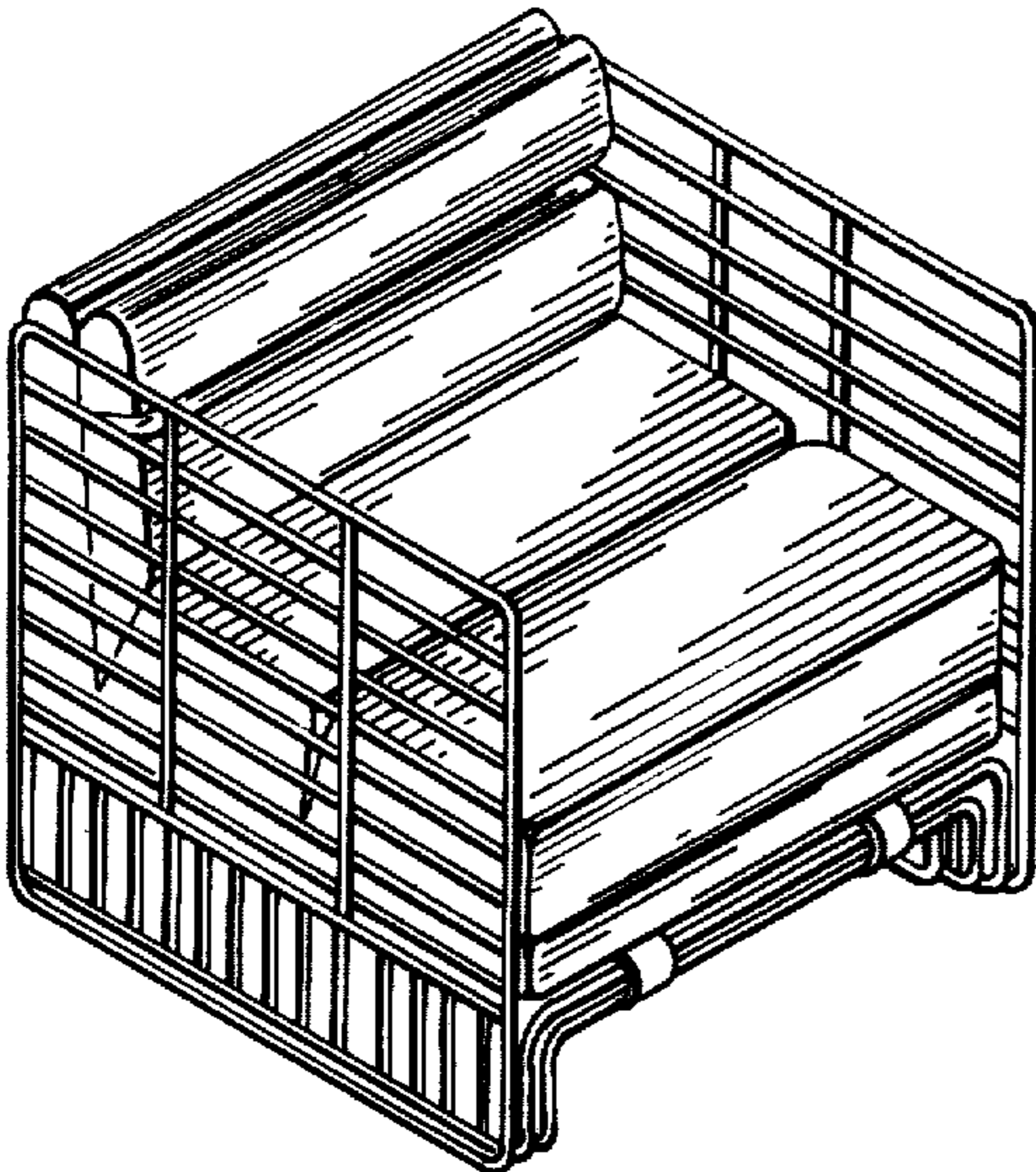


FIG. 1

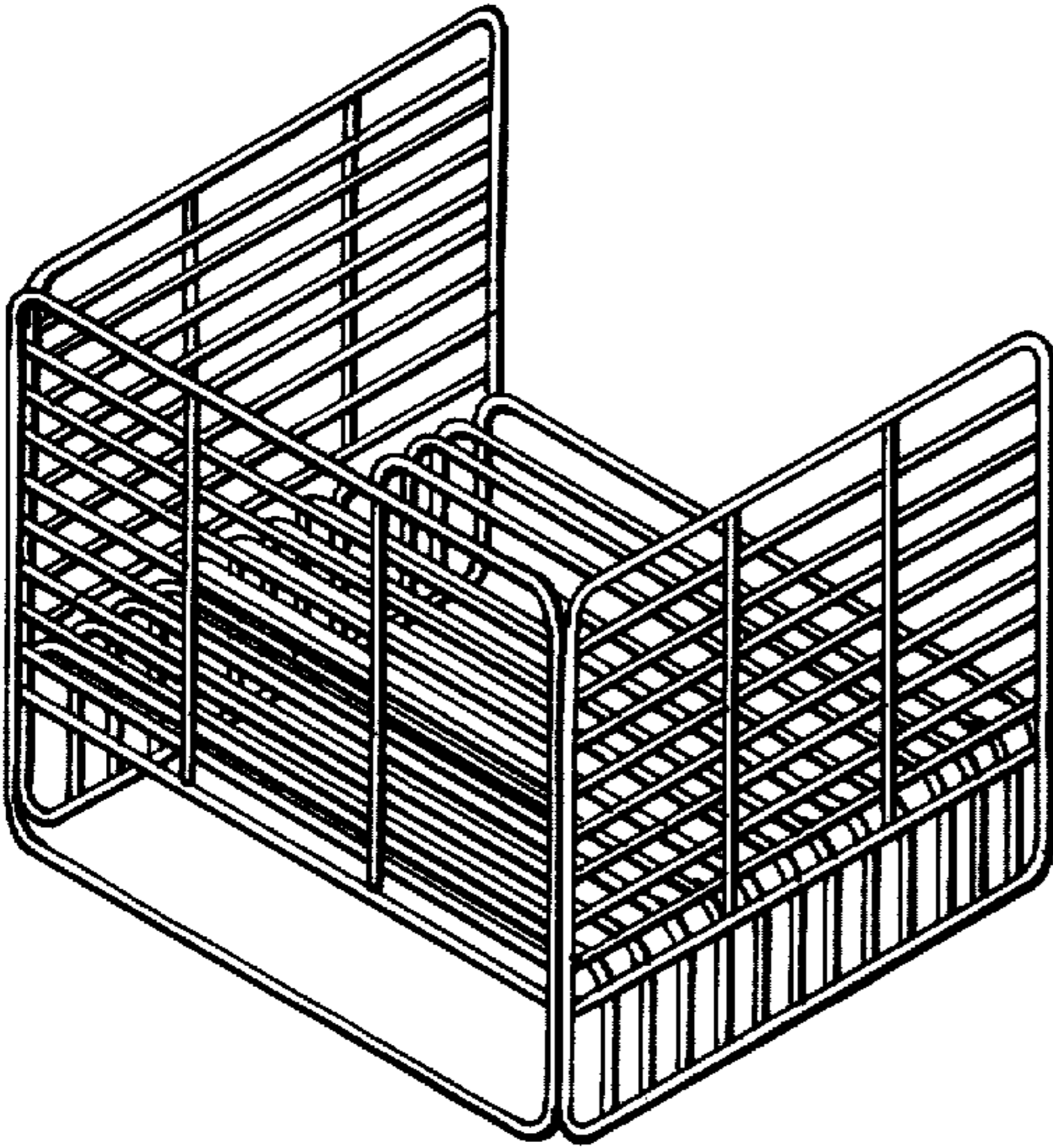


FIG. 2

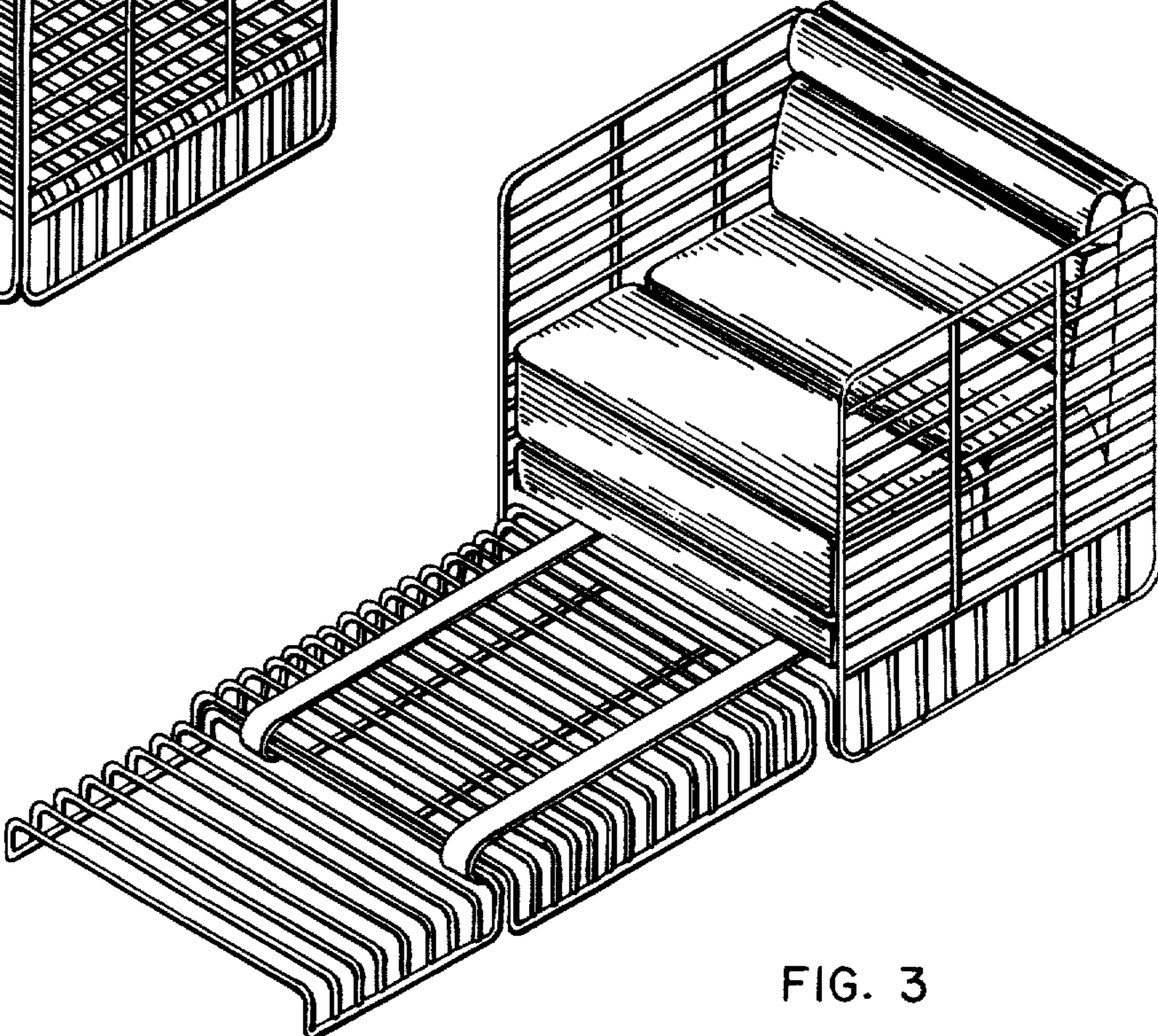


FIG. 3

