

[54] **INFANT SEAT**

[76] **Inventor:** Clarence A. Oberly, 290 S. Ridge Rd., Lake Forest, Ill. 60045

[21] **Appl. No.:** 273,652

[22] **Filed:** Jun. 15, 1981

[51] **Int. Cl.** D6-01

[52] **U.S. Cl.** D6/7; D6/9;
D6/65; D6/200

[58] **Field of Search** D6/5, 7, 8, 14, 56,
D6/65, 66, 72, 73, 75, 191, 197, 200

[56] **References Cited**

U.S. PATENT DOCUMENTS

- D. 32,237 2/1900 Coffman D6/65
- D. 164,619 9/1951 Bargaen D6/65
- D. 180,264 5/1957 Black D6/7
- D. 232,671 9/1974 Krumholz et al. D6/7
- D. 256,969 9/1980 Cassina D6/56 X

FOREIGN PATENT DOCUMENTS

- 678225 8/1952 United Kingdom D6/7 X

OTHER PUBLICATIONS

Domus, Jul. 1975, p. 44, chair bottom center.

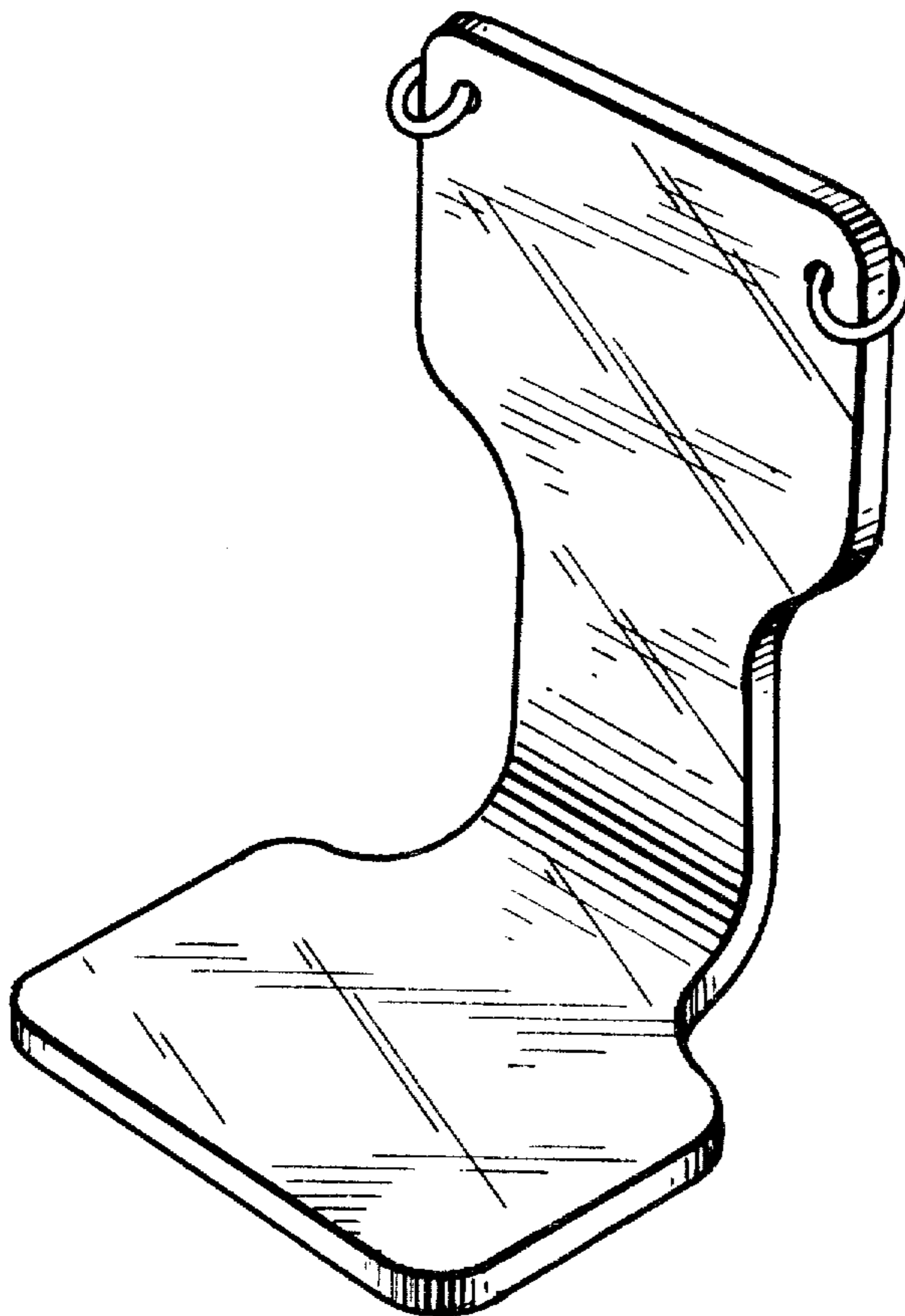
Primary Examiner—Bruce W. Dunkins
Attorney, Agent, or Firm—Wood, Dalton, Phillips,
Mason & Rowe

[57] **CLAIM**

The ornamental design for an infant seat, as shown and described.

DESCRIPTION

FIG. 1 is a front perspective view of an infant seat showing my design;
FIG. 2 is a front elevational view;
FIG. 3 is a side elevational view;
FIG. 4 is a rear elevational view;
FIG. 5 is a top plan view; and
FIG. 6 is a bottom plan view thereof.
FIG. 7 is a front perspective view of a second embodiment of the infant seat shown in FIG. 1;
FIG. 8 is a side elevational view;
FIG. 9 is a rear elevational view; and
FIG. 10 is a bottom plan view thereof.
FIG. 11 is a third embodiment of the infant seat of FIG. 1; and
FIG. 12 is a rear elevational view thereof.



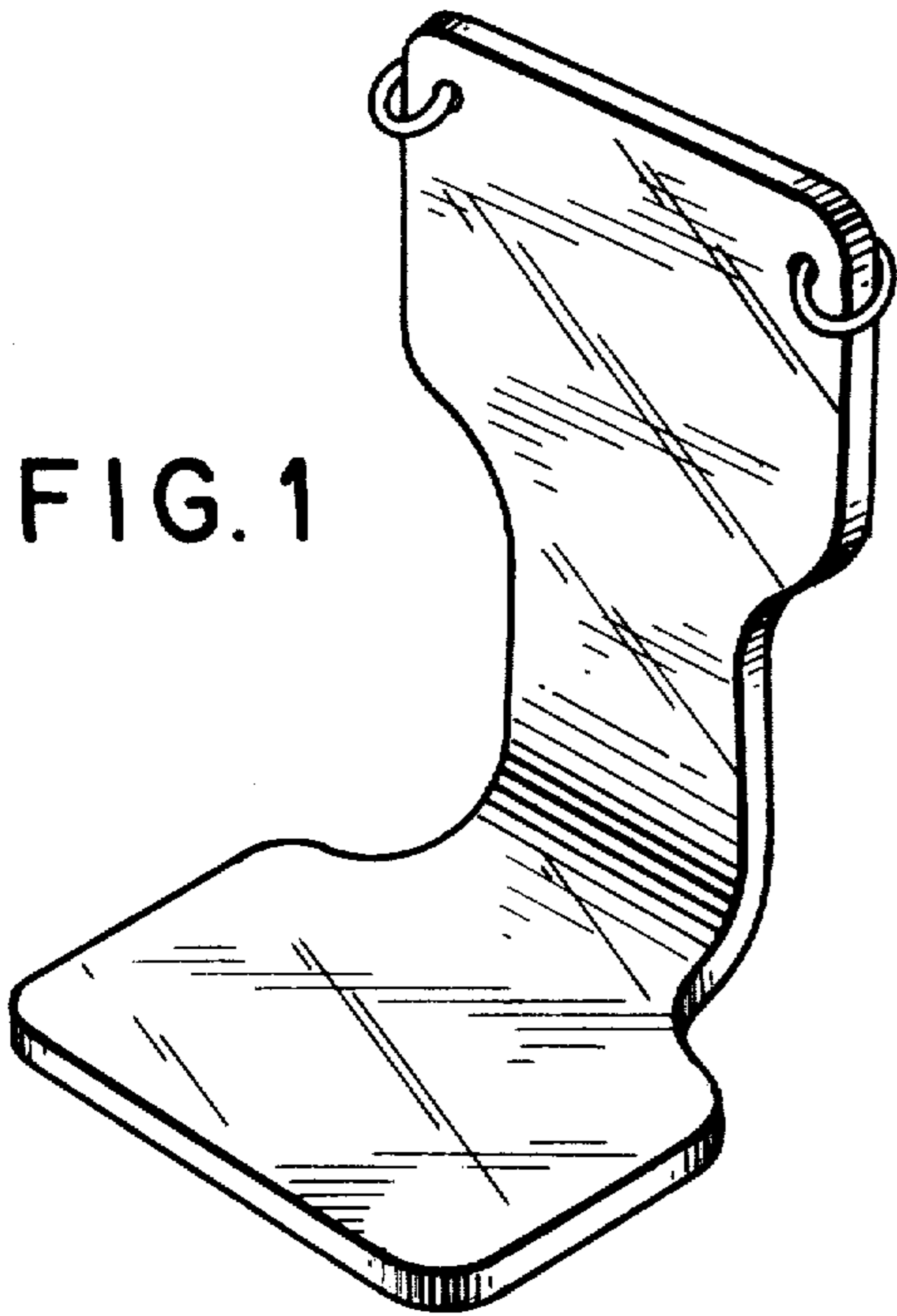


FIG. 1

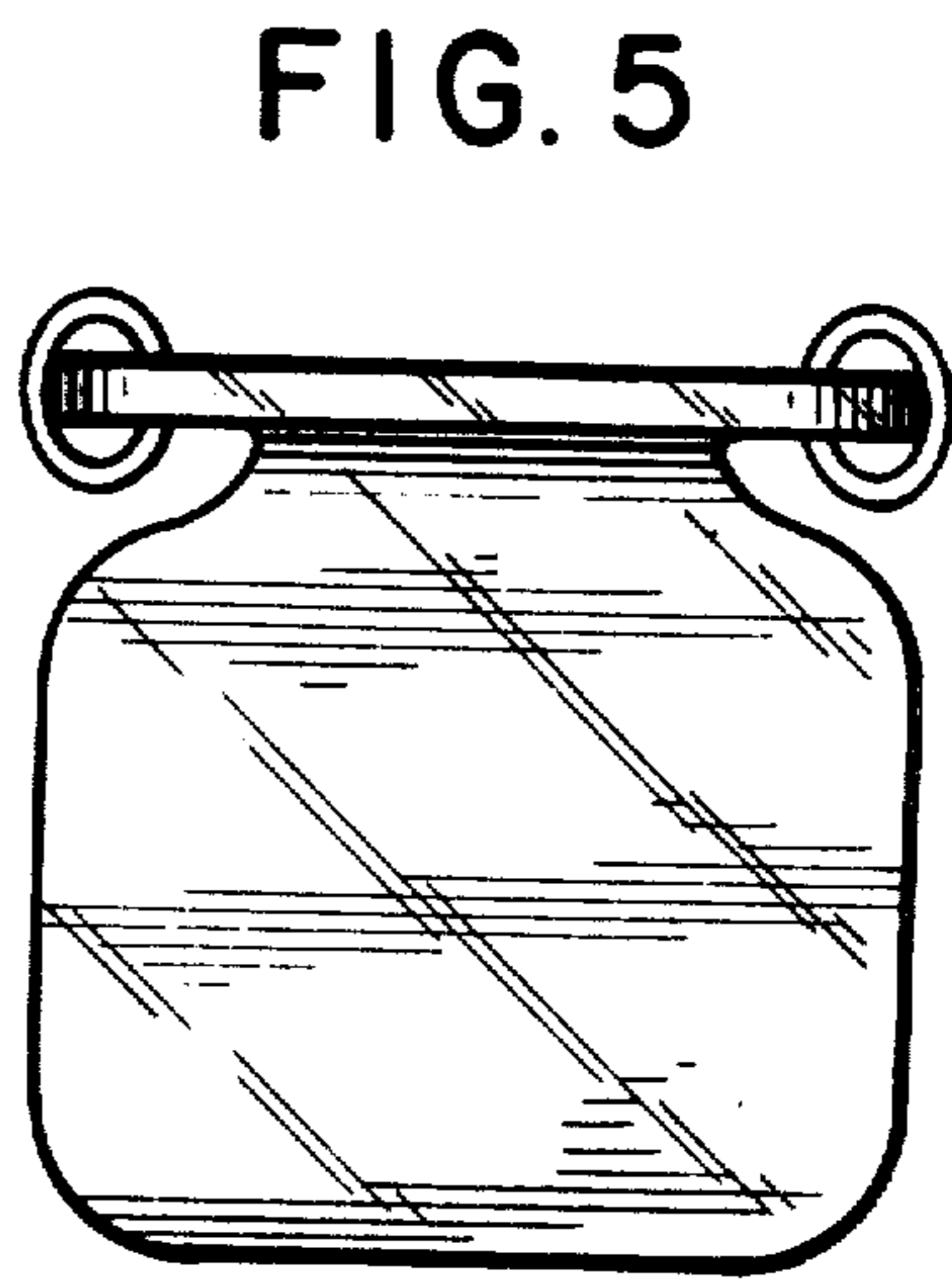


FIG. 5

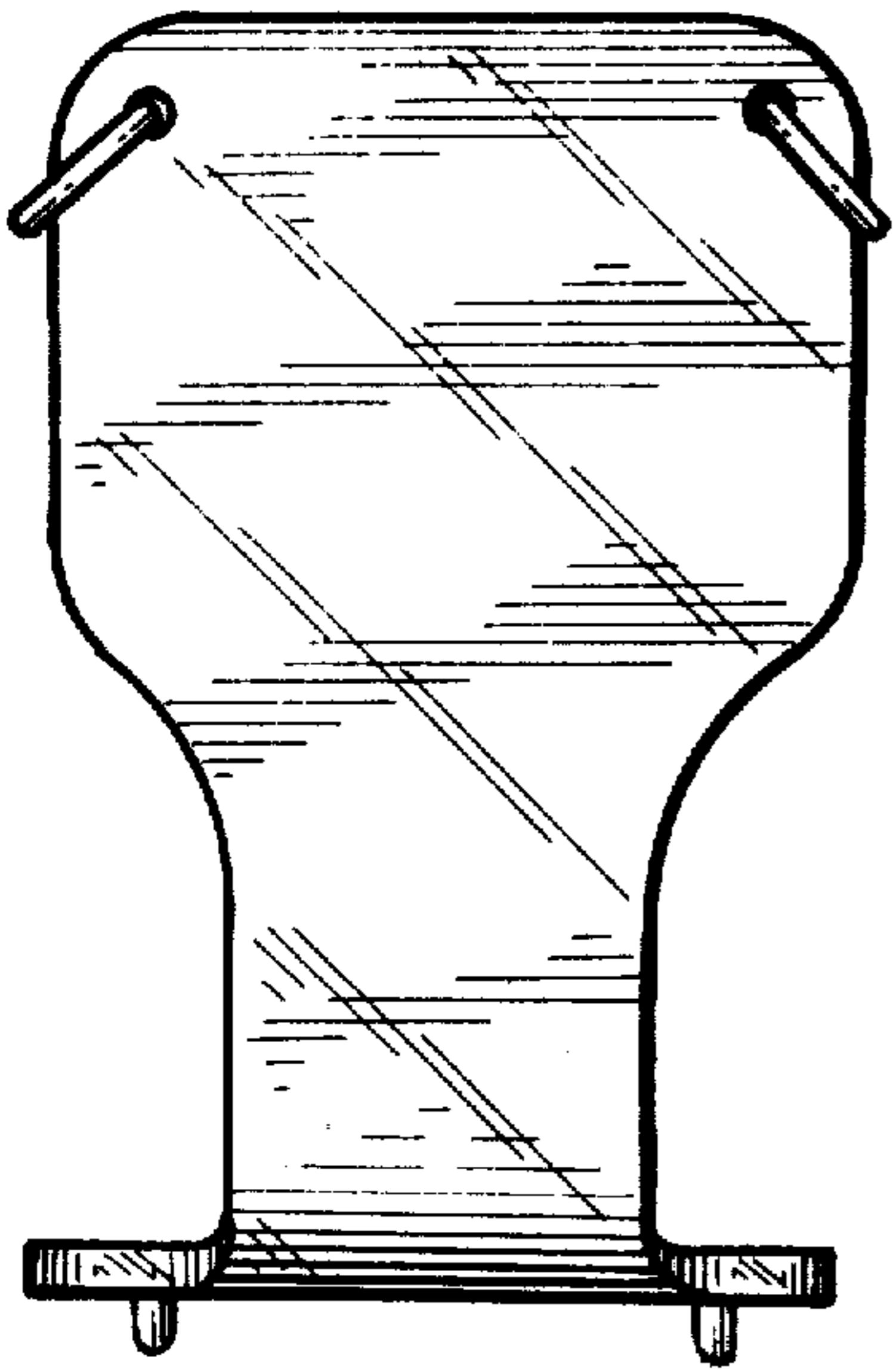


FIG. 4

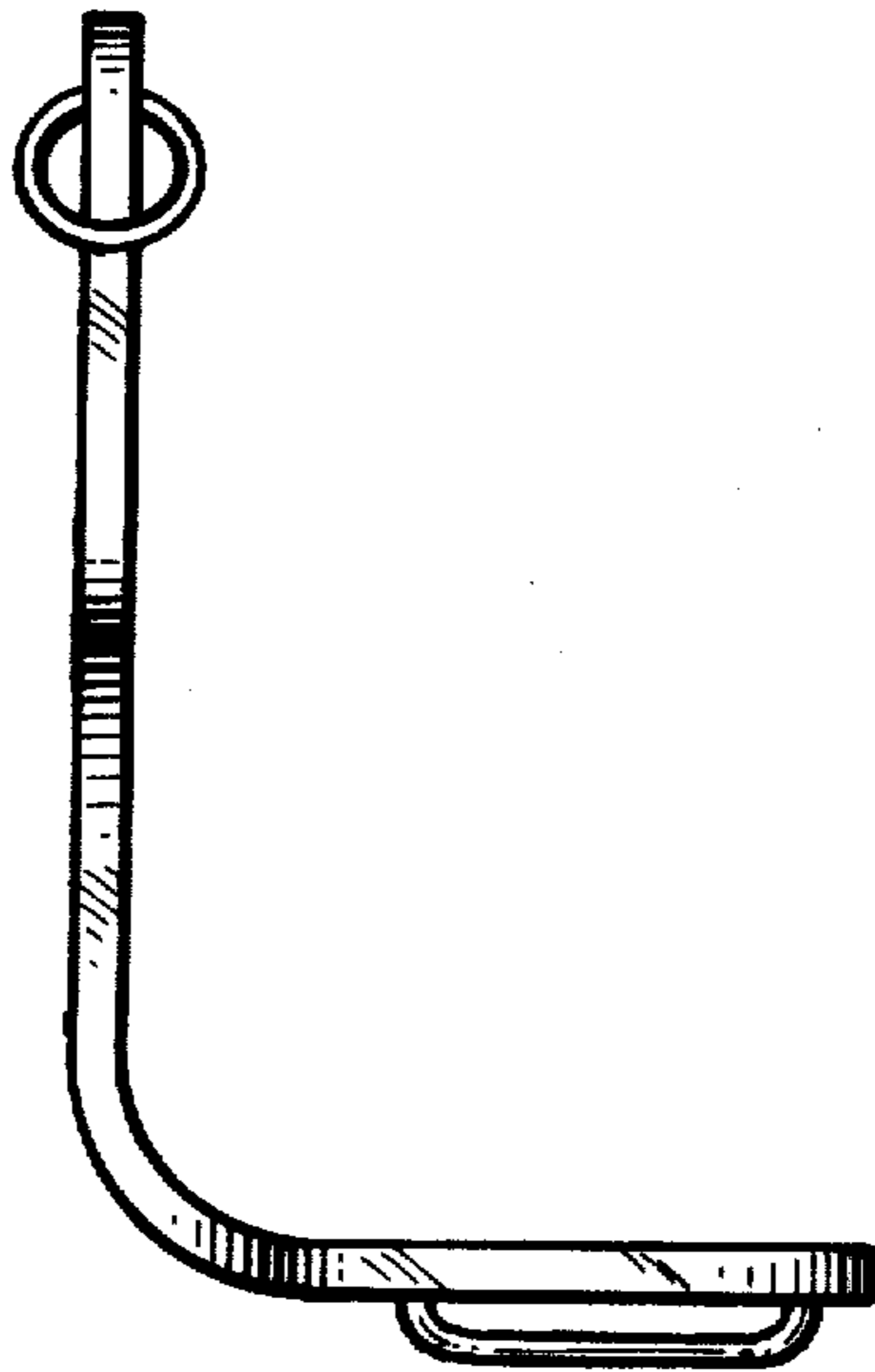


FIG. 3

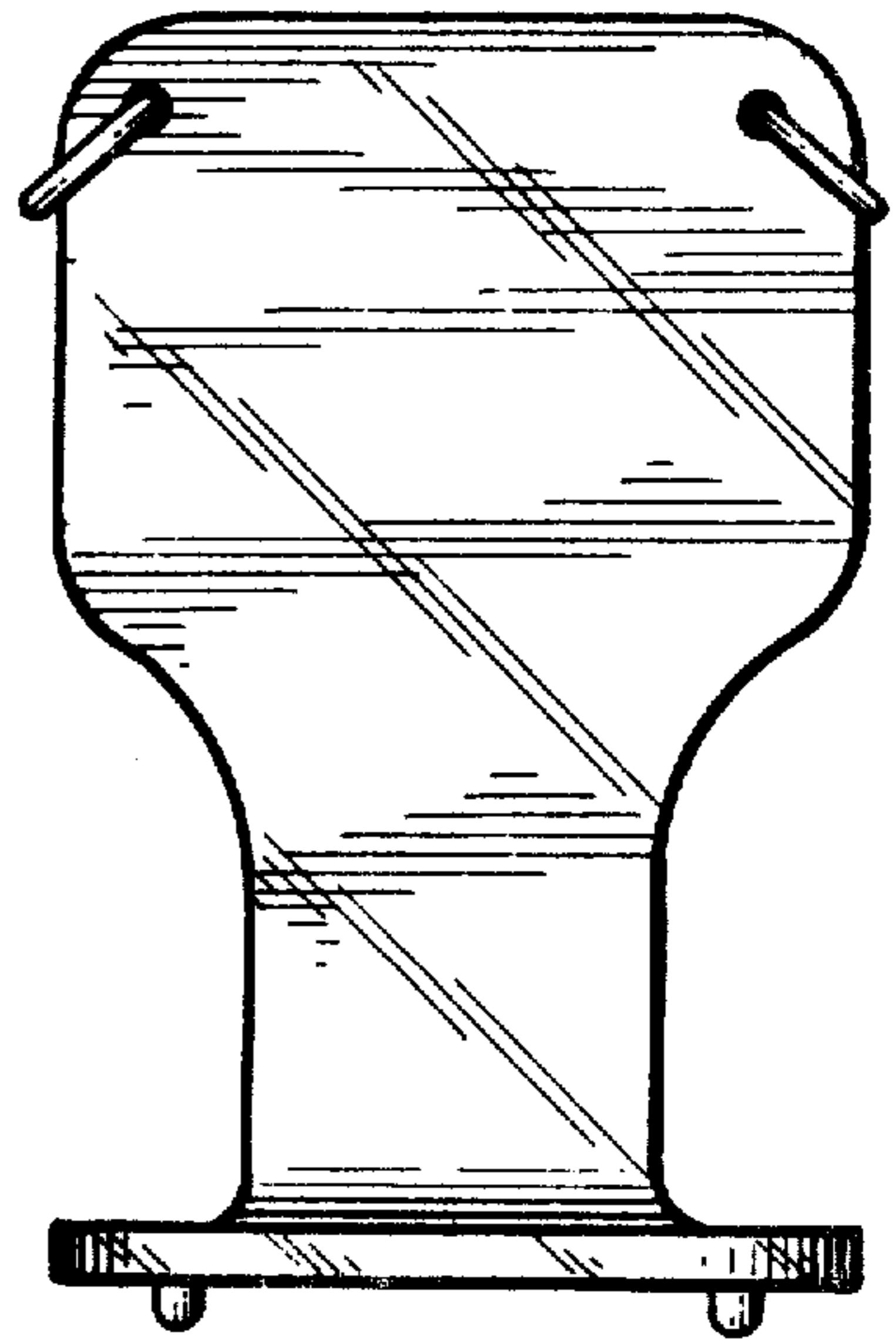


FIG. 2

FIG. 6

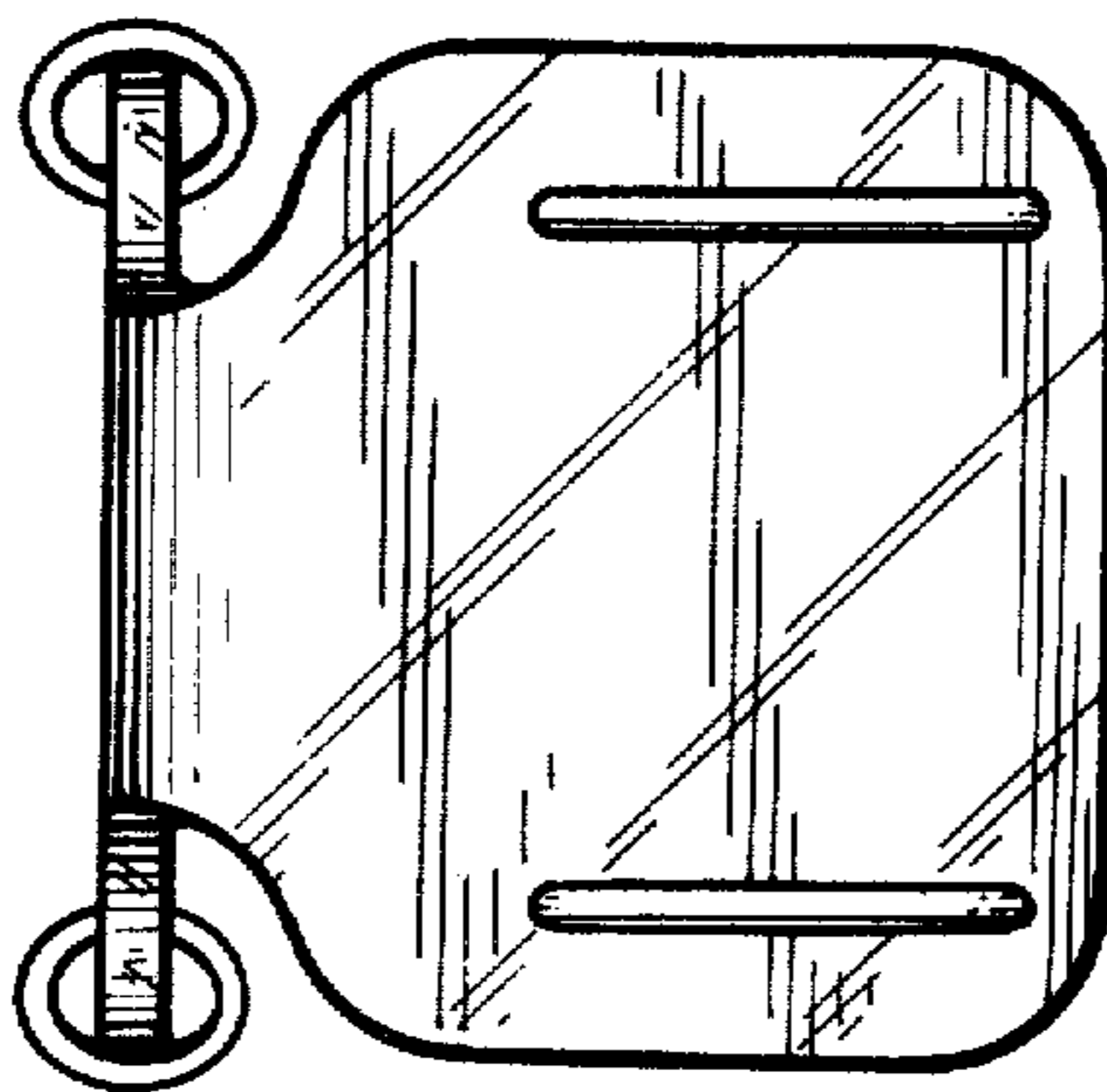


FIG. 7

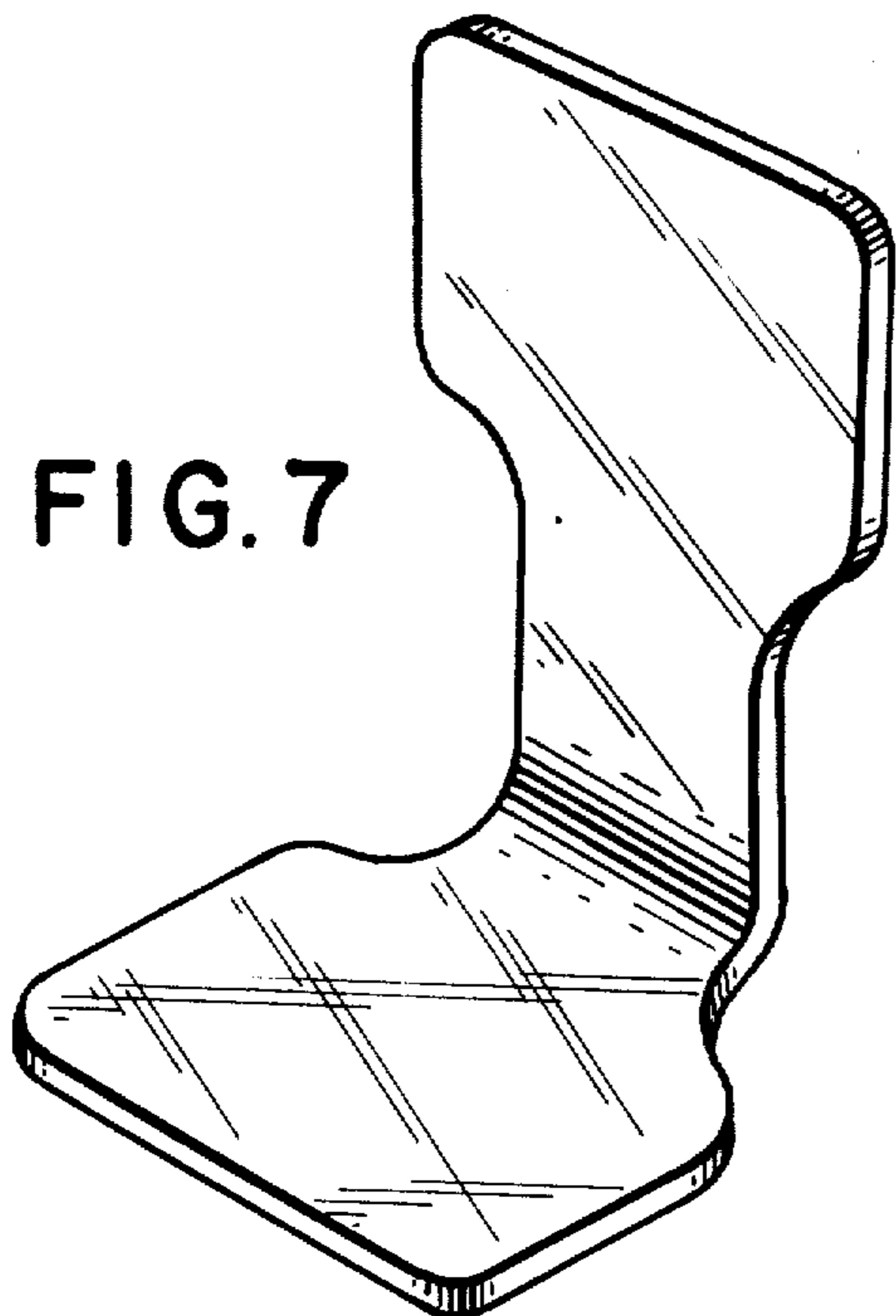


FIG. 11

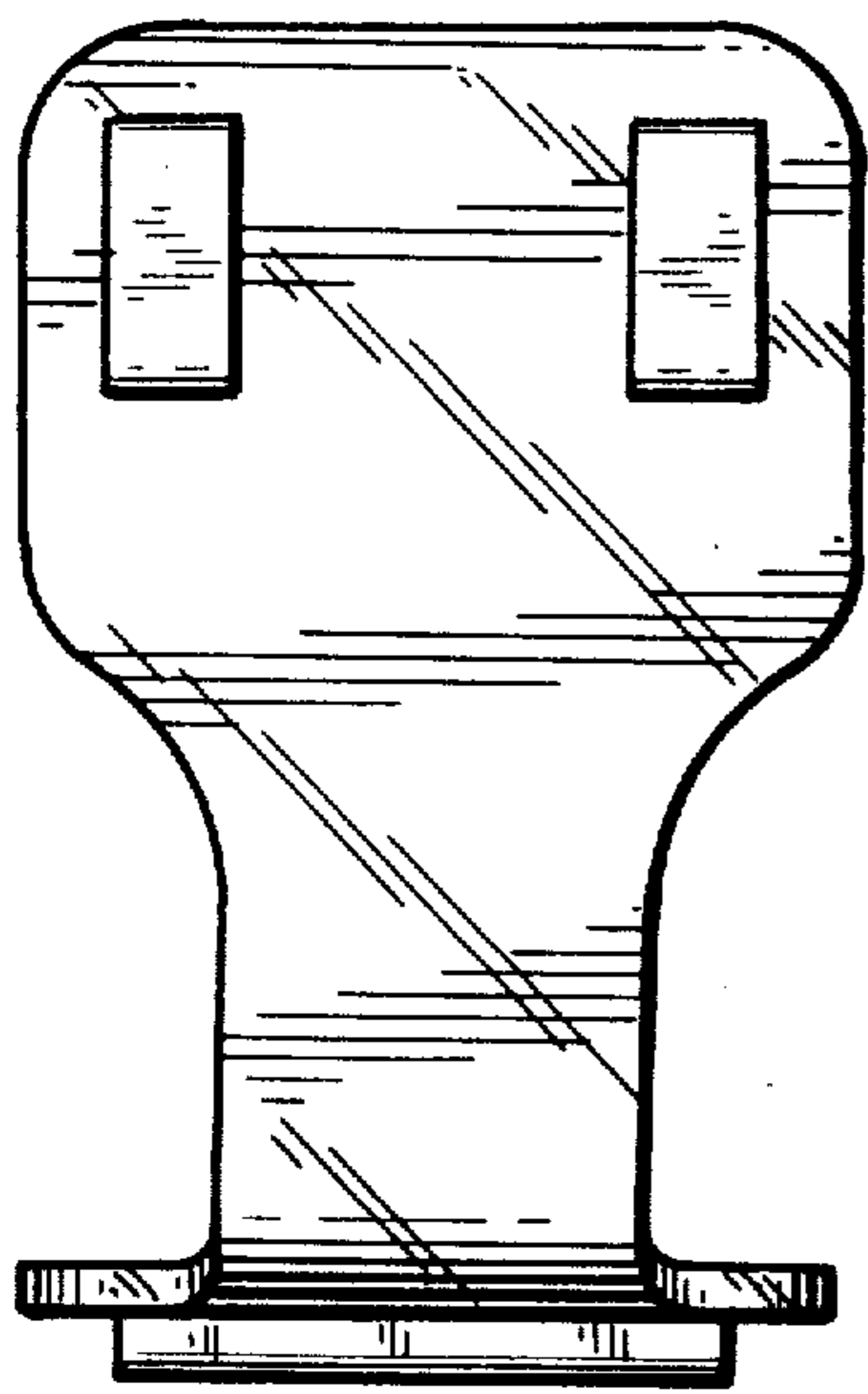
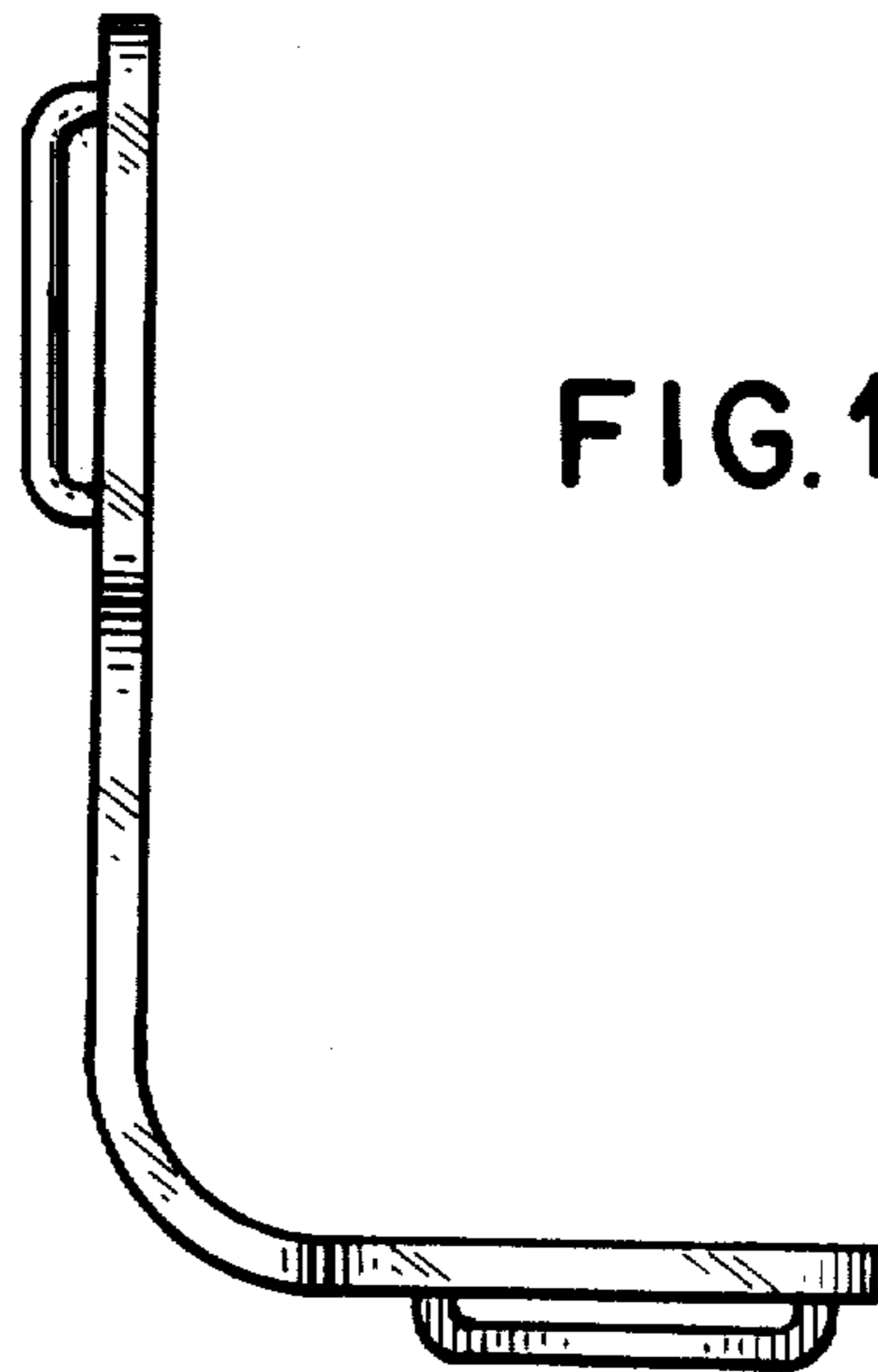


FIG. 9

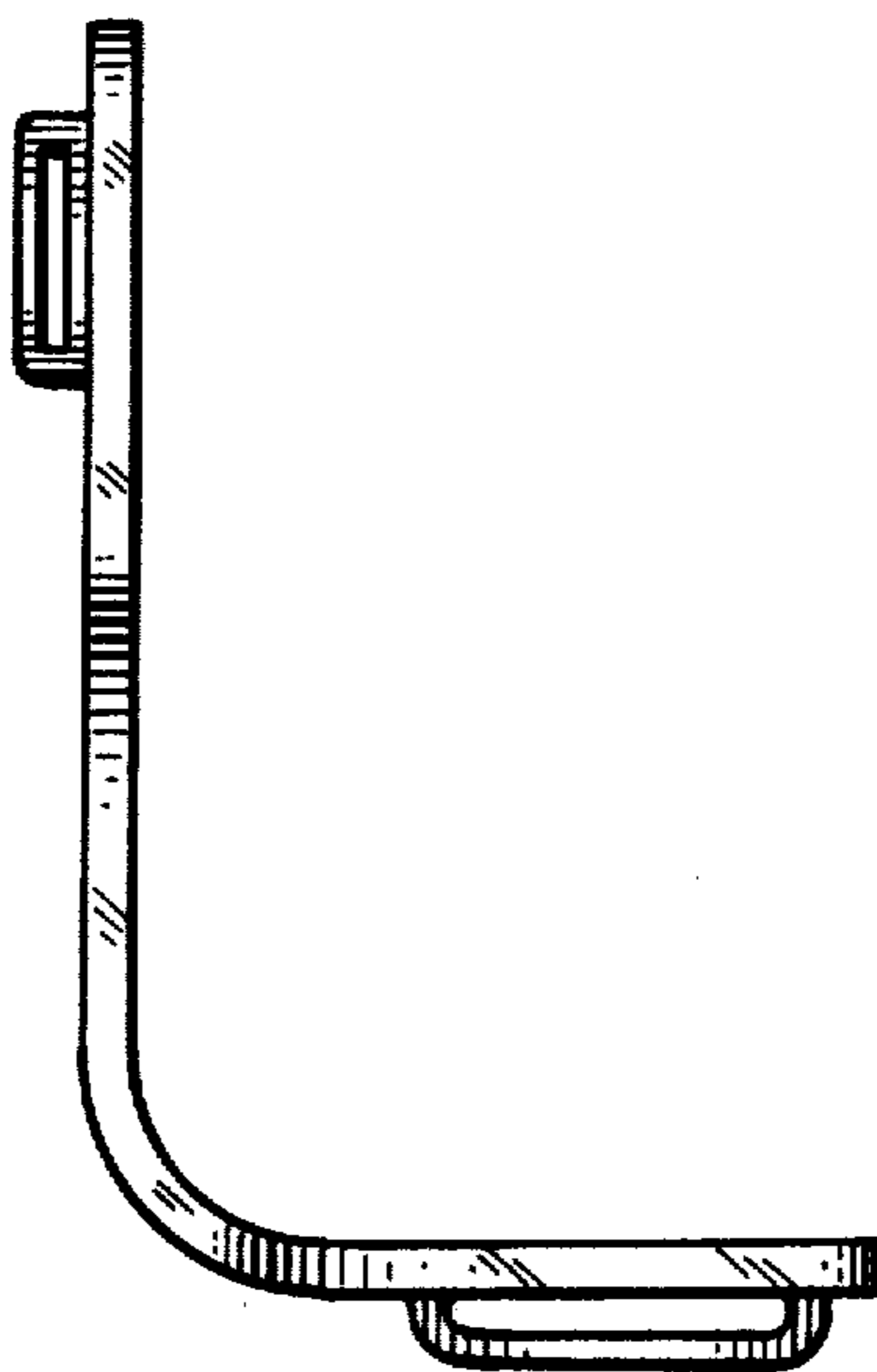


FIG. 8

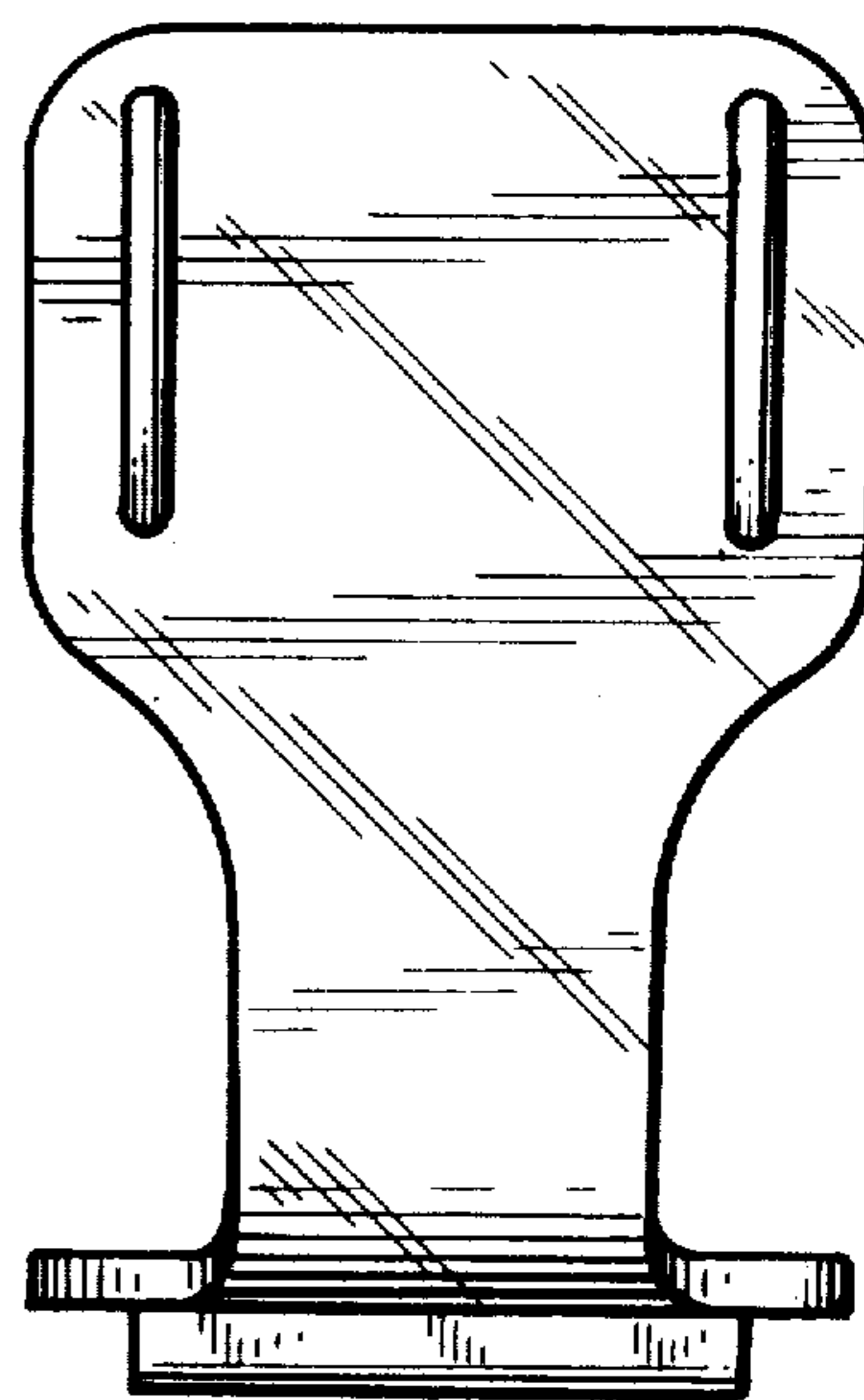


FIG. 12

FIG. 10

