

[54] ADJUSTABLE CHAIR FOR A CHILD

[76] Inventor: Dirk Kortleve, Broeder  
Christofoorlaan 5, 4731 DW  
Oudenbosch, Netherlands

[21] Appl. No.: 239,127

[22] Filed: Feb. 27, 1981

[30] Foreign Application Priority Data

Oct. 3, 1980 [DE] Fed. Rep. of Germany ..... 1026/80

[51] Int. Cl. .... D6-01

[52] U.S. Cl. .... D6/7; D6/30

[58] Field of Search ..... D6/5, 7, 9, 10, 26,  
D6/30, 31, 47, 65, 66, 78; 297/274, 275, 277,  
285, 289, 353, 354, 355

[56] References Cited

U.S. PATENT DOCUMENTS

D. 244,520	5/1977	Burrige	.....	D6/10 X
D. 244,895	7/1977	Diehl	.....	D6/49 X
D. 254,699	4/1980	Nakao et al.	.....	D6/8 X
D. 261,828	11/1981	Nakao et al.	.....	D6/8 X
3,992,056	11/1976	Koziatek et al.	.....	D6/9 X

Primary Examiner—Bruce W. Dunkins  
Attorney, Agent, or Firm—Diller, Ramik & Wight

[57] CLAIM

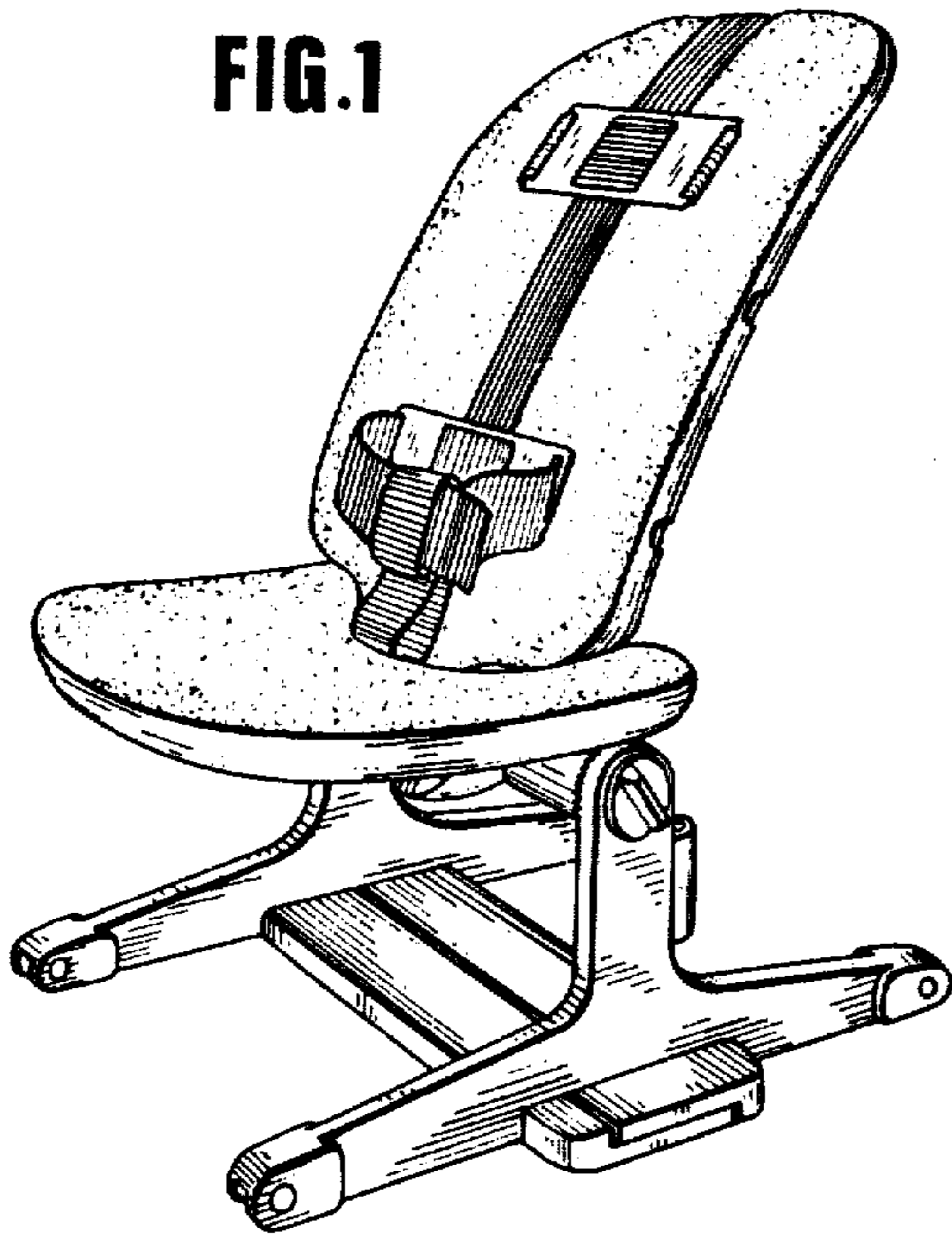
The ornamental design for an adjustable chair for a child, as shown and described.

DESCRIPTION

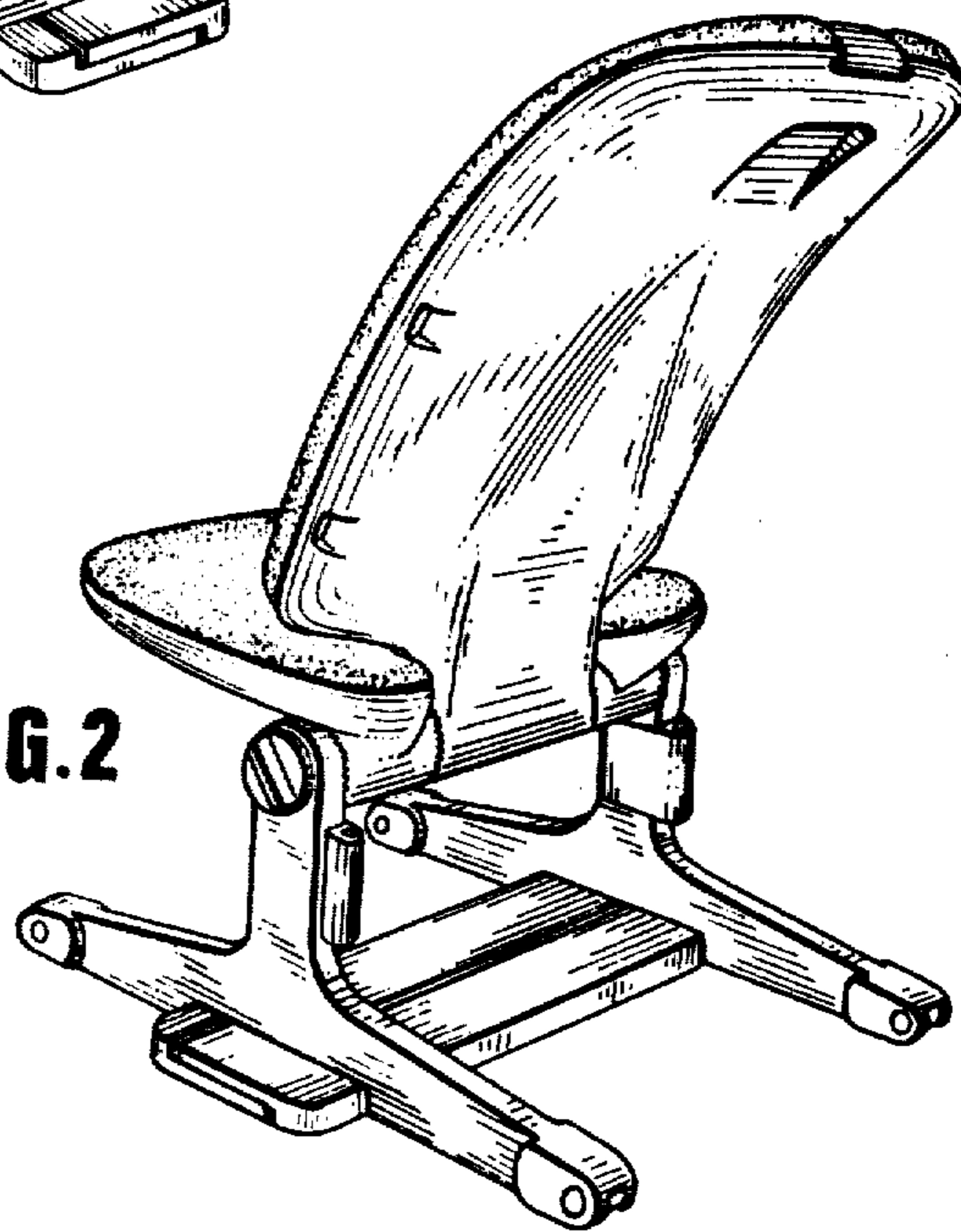
FIG. 1 is a perspective front view of a children's chair in a sitting position, showing my new design; FIG. 2 is a perspective rear view thereof; FIG. 3 is a front elevational view thereof; FIG. 4 is a rear elevational view thereof; FIG. 5 is a top plan view thereof; FIG. 6 is a bottom plan view thereof; FIG. 7 is a side elevational view thereof; FIG. 8 is a side elevational view thereof in a raised position; FIG. 9 is a side elevational view thereof, a horizontal rest position; FIG. 10 is a top plan view thereof in the position of FIG. 9 and FIG. 11 is a side elevational view thereof in an inclined rest position.

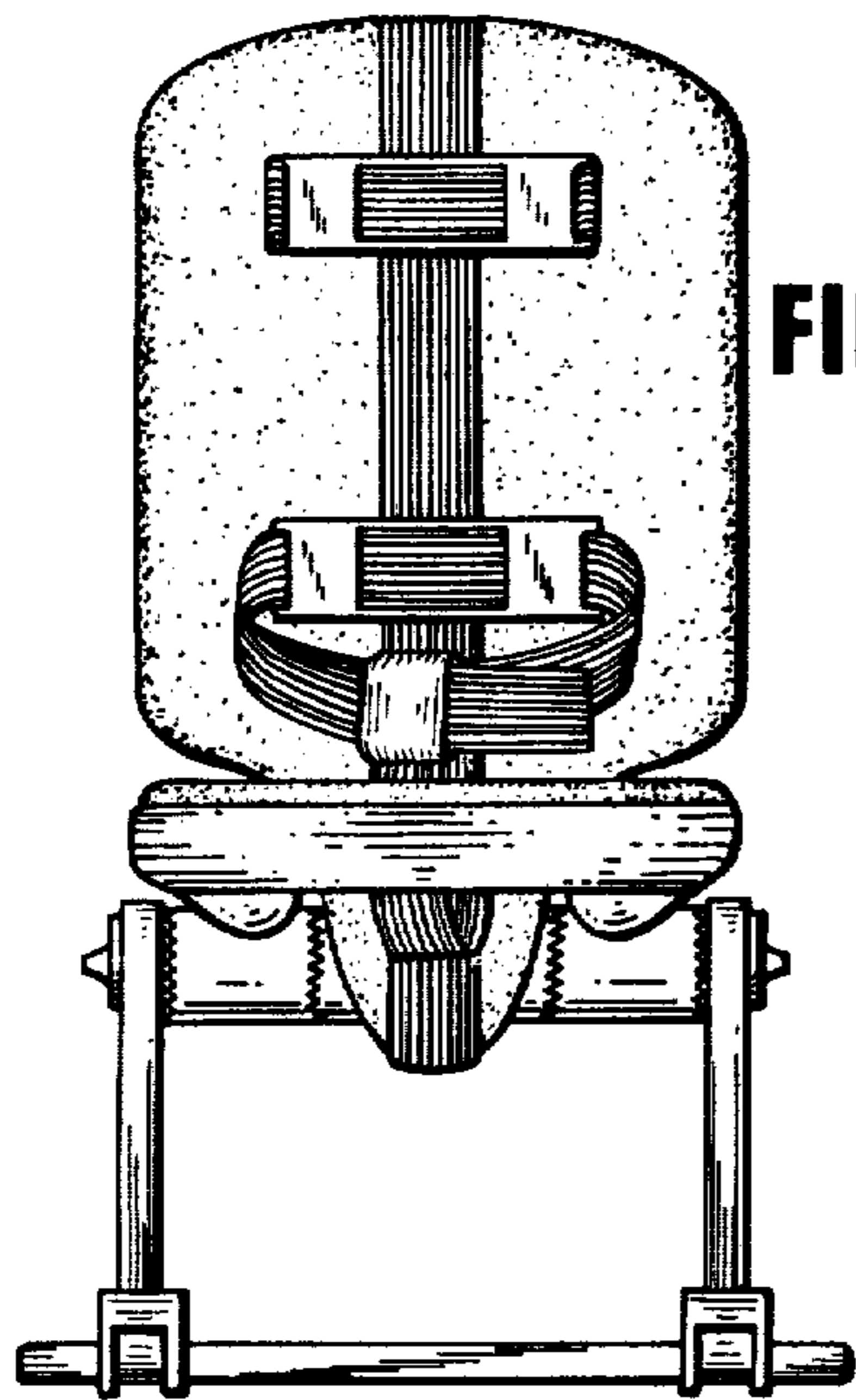


**FIG.1**

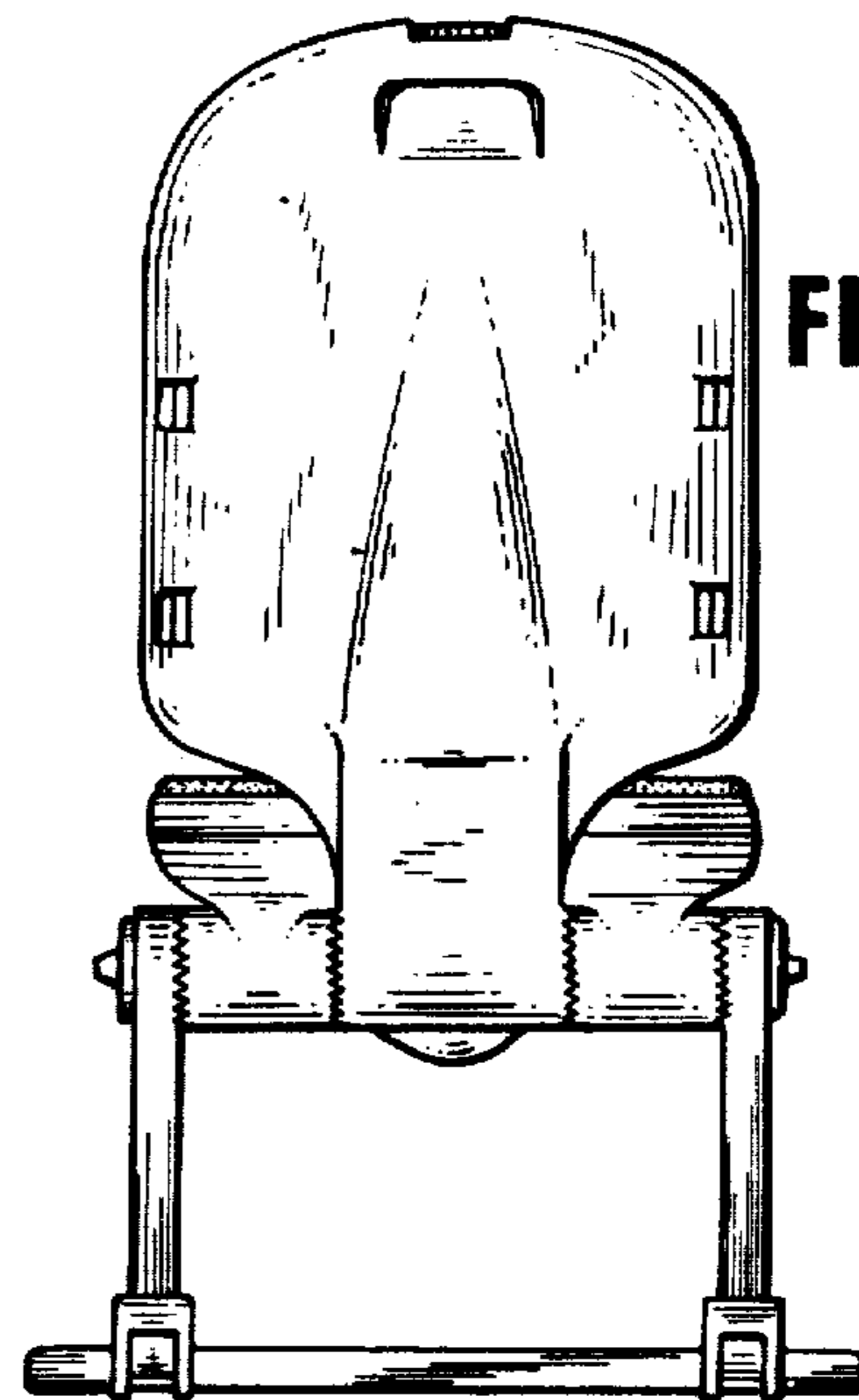


**FIG.2**

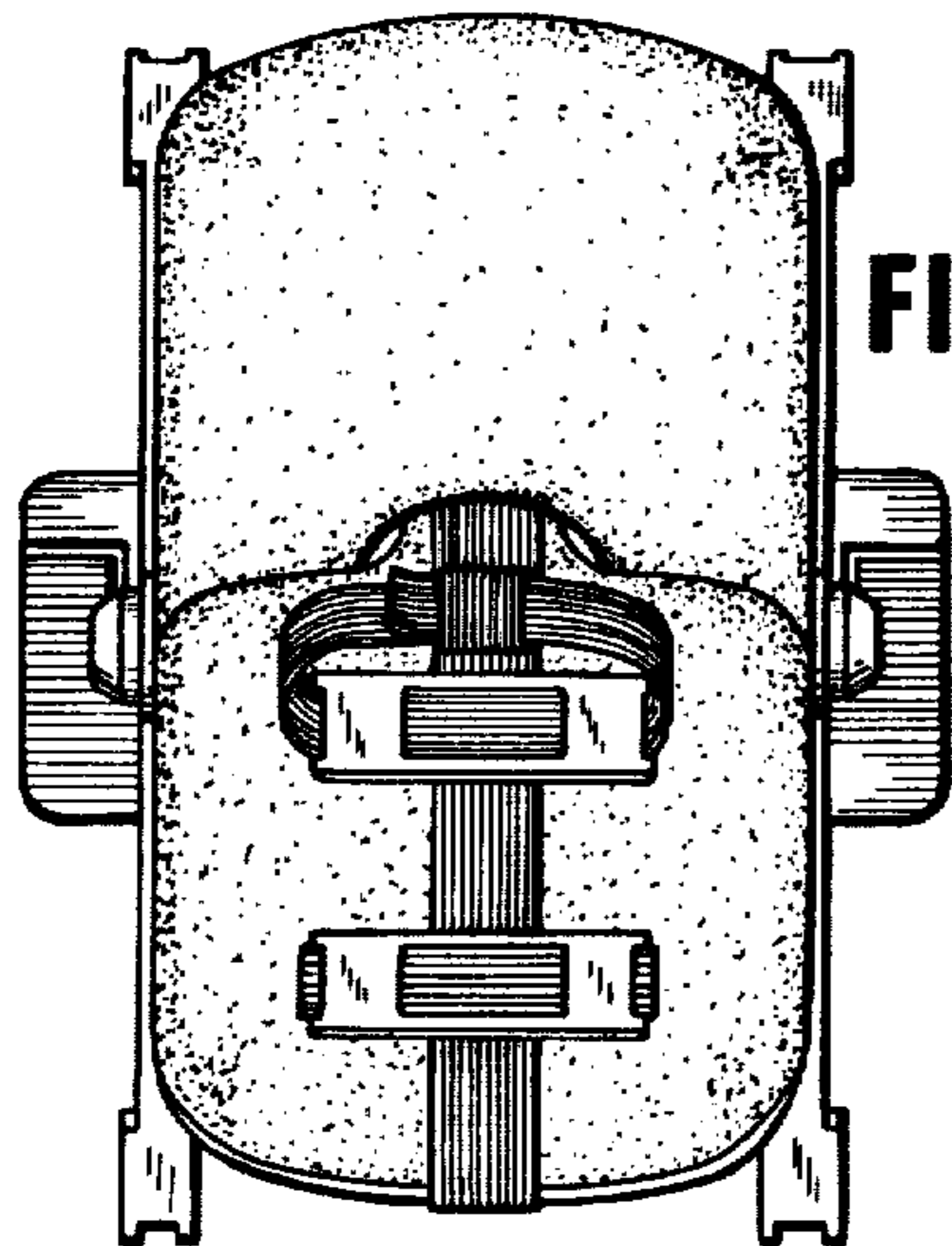




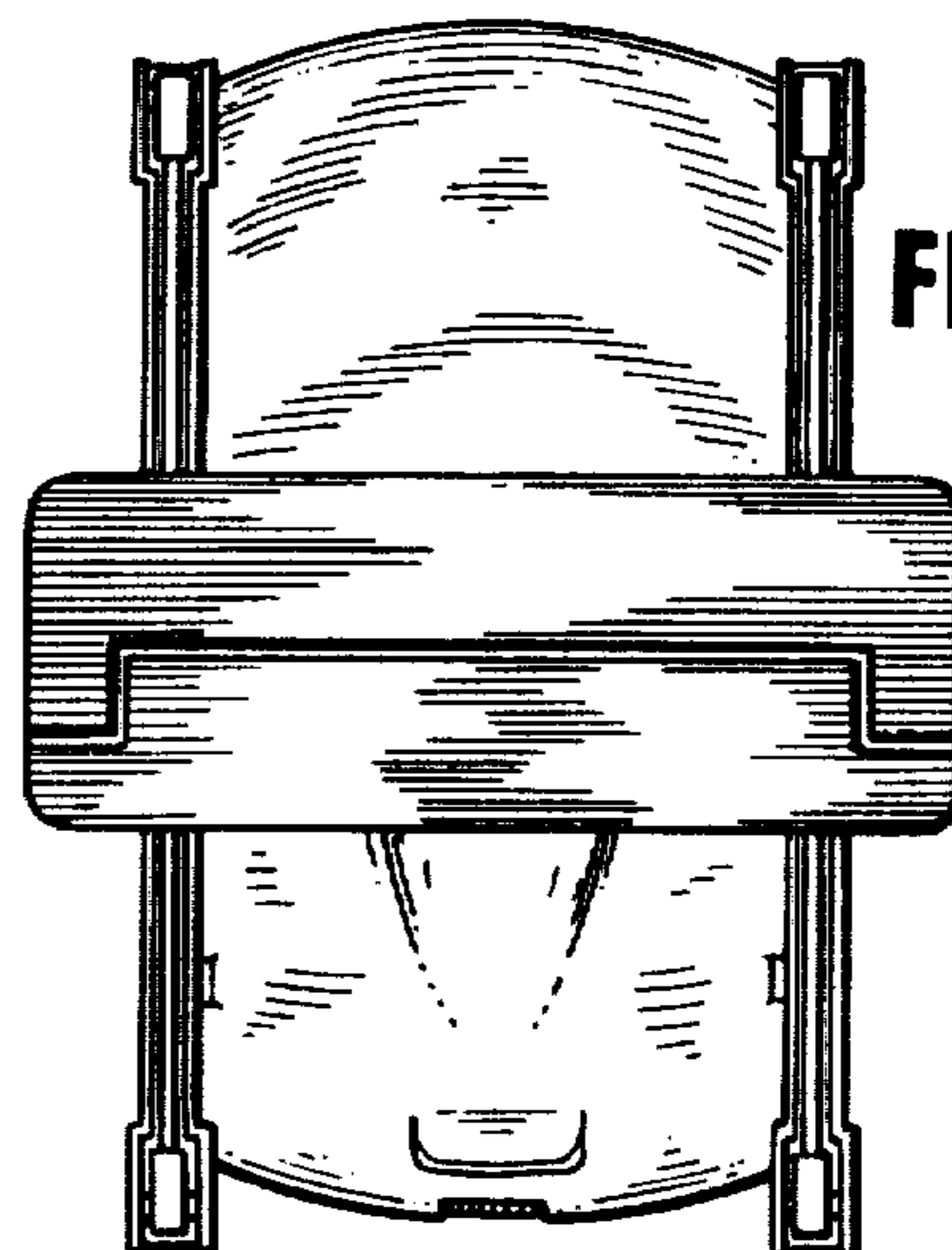
**FIG. 3**



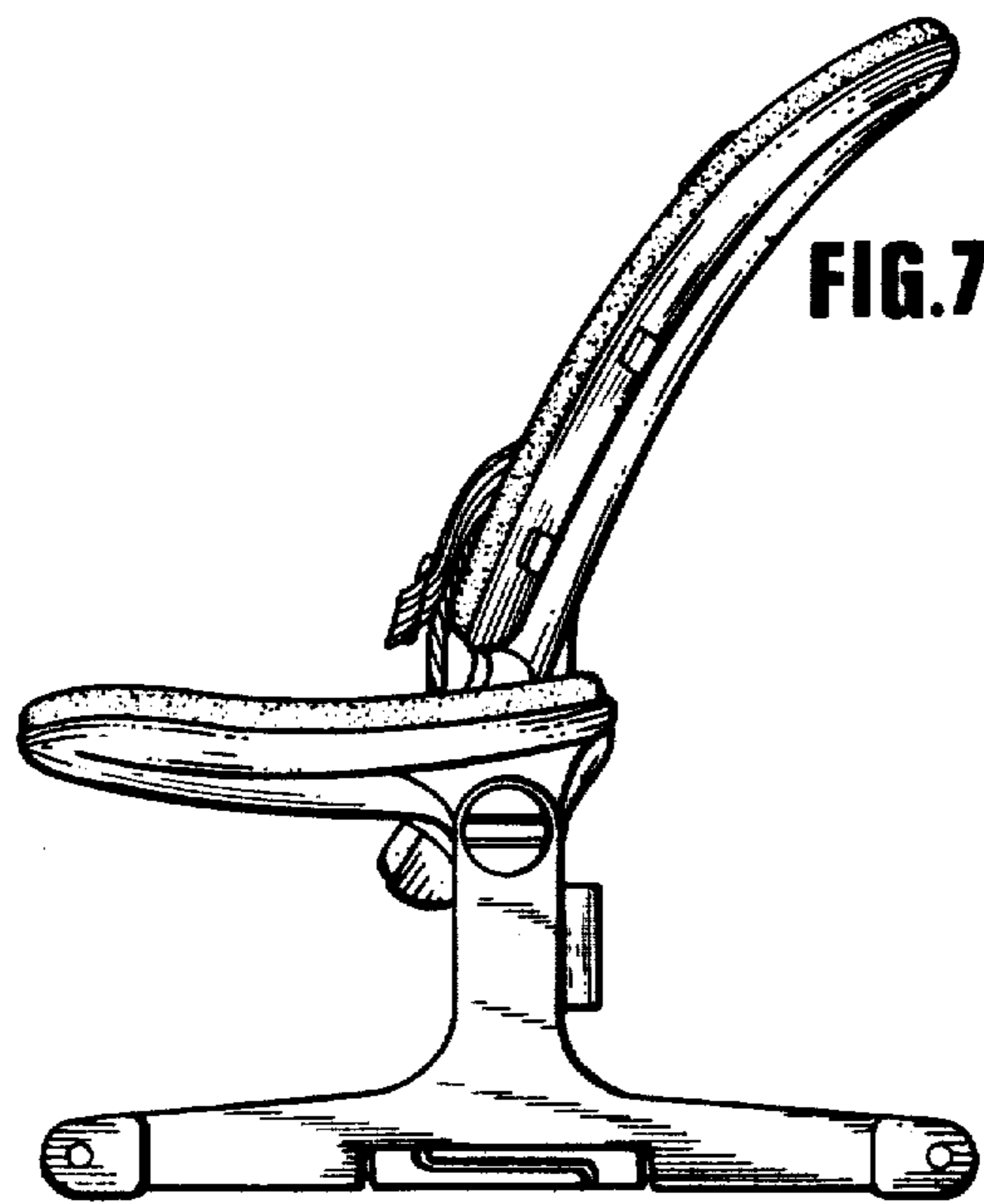
**FIG. 4**

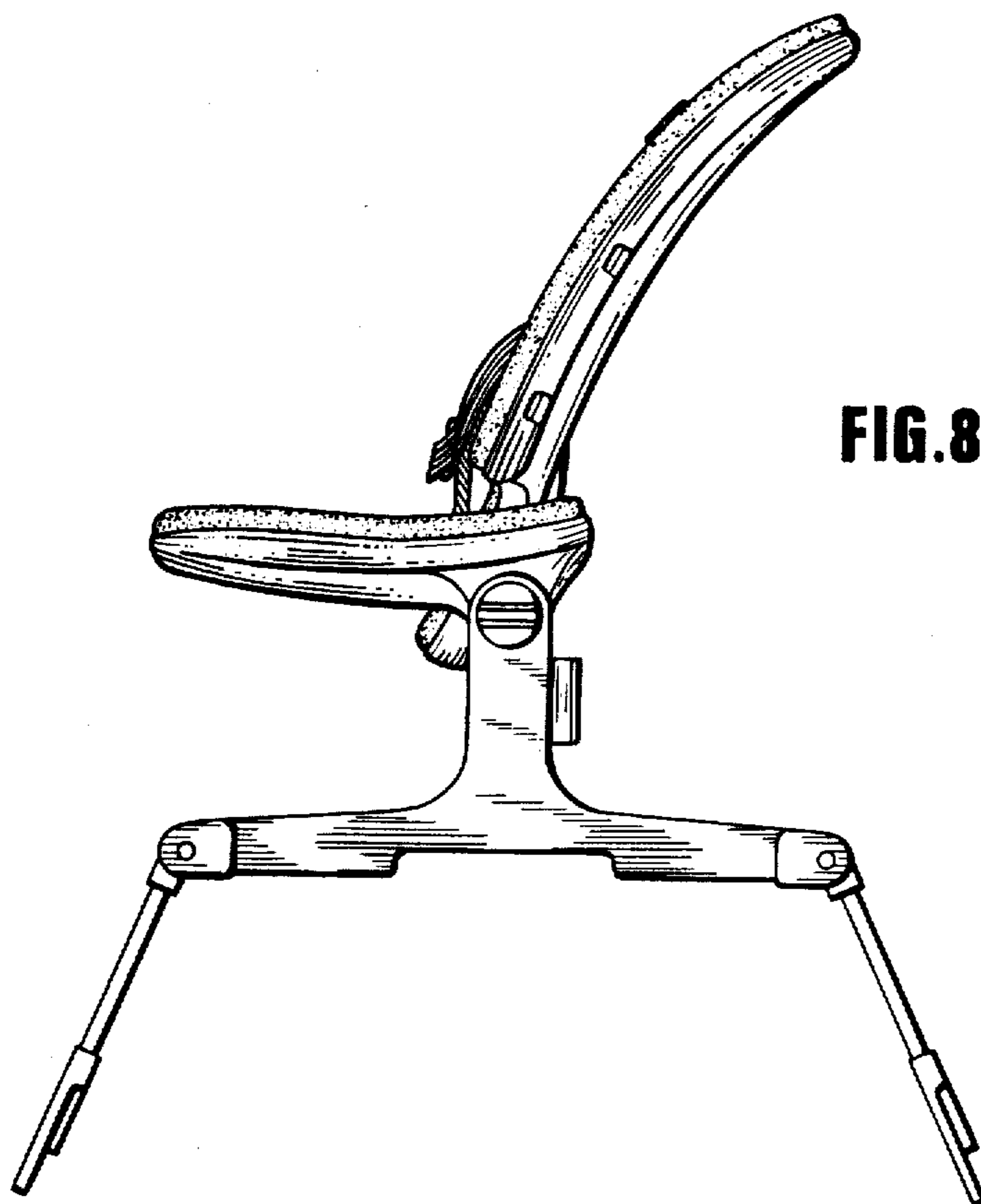


**FIG. 5**

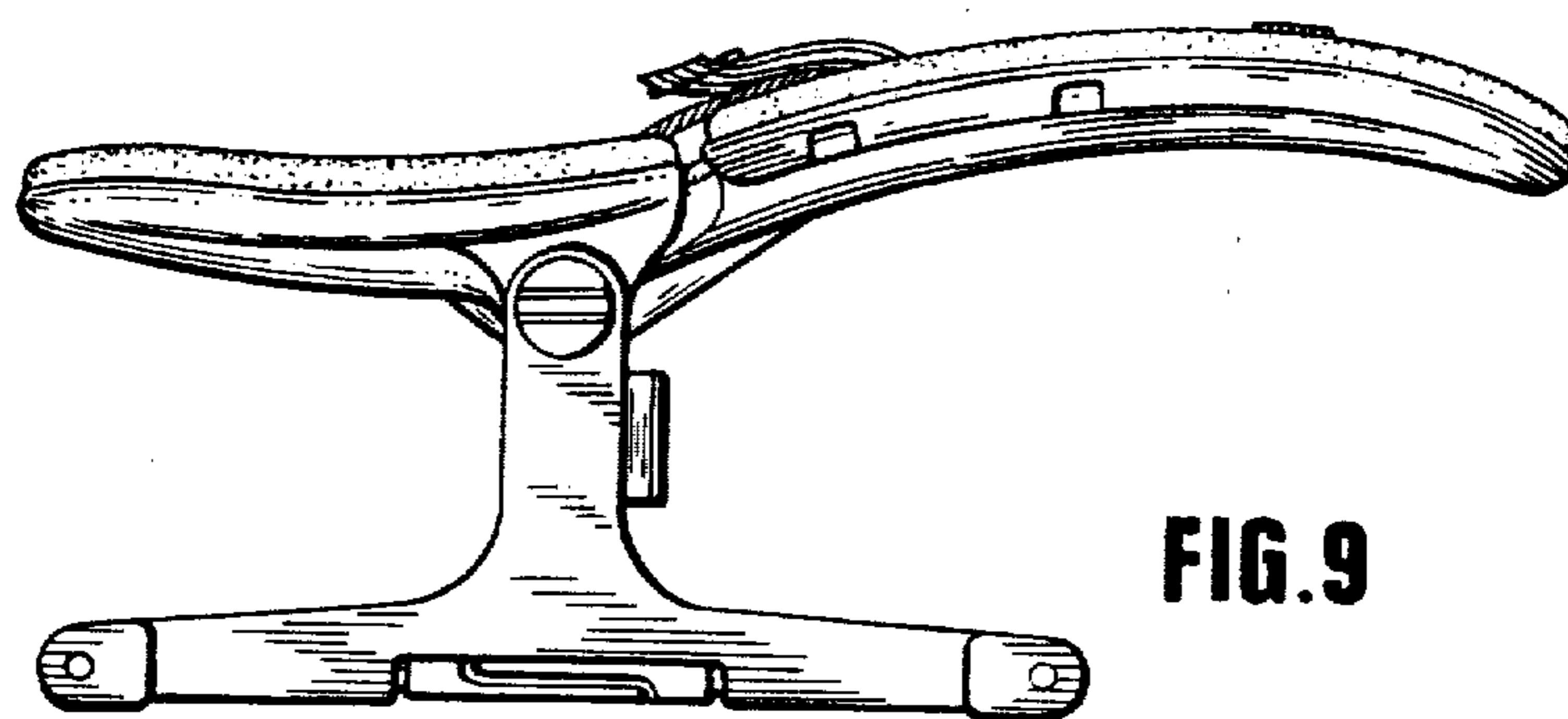


**FIG. 6**





**FIG. 8**



**FIG. 9**

