

- [54] **CARRYING CASE FOR A TOY**
[75] Inventor: **Geoffrey C. Garth**, Long Beach, Calif.
[73] Assignee: **Tomy Corporation**, Carson, Calif.
[21] Appl. No.: **198,802**
[22] Filed: **Oct. 20, 1980**
[30] **Foreign Application Priority Data**
Aug. 27, 1979 [JP] Japan 54-35692
Aug. 27, 1979 [JP] Japan 54-35693
[51] **Int. Cl.** **D3-02**
[52] **U.S. Cl.** **D3/73; D3/35**
[58] **Field of Search** **D3/30.1, 33, 35, 73, D3/74; 206/315 R; 46/11, 1 R; D21/59**
[56] **References Cited**
U.S. PATENT DOCUMENTS
D. 218,922 10/1970 De Vore et al. D3/35
D. 221,821 9/1971 Genaro et al. D3/73

- D. 233,179 10/1974 Sias D3/73
D. 261,671 11/1981 Livesag D3/73

OTHER PUBLICATIONS

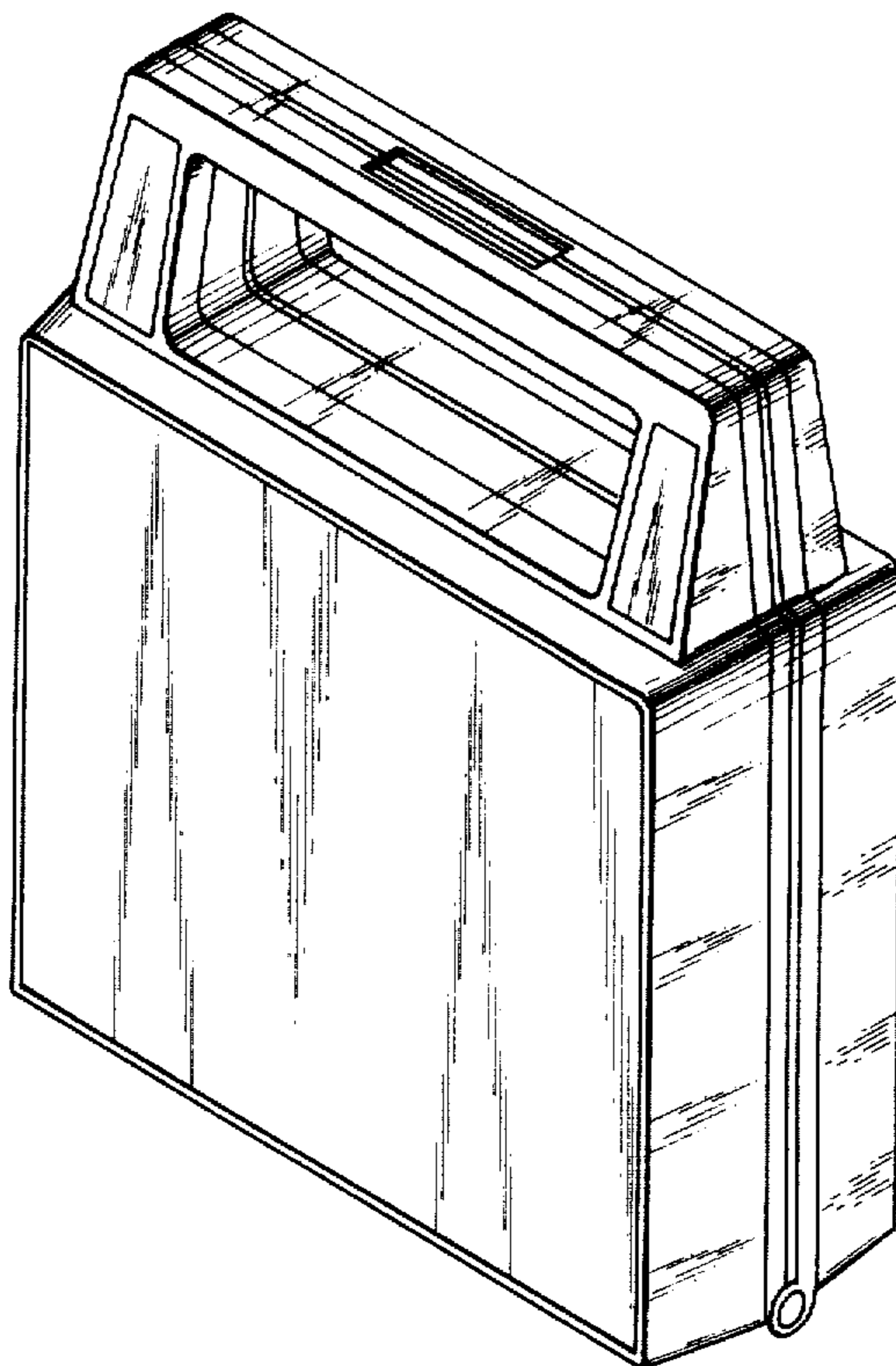
Toys, Hobbies & Crafts, 10/78, p. 57, bottom right.
Primary Examiner—George P. Word
Attorney, Agent, or Firm—K. H. Boswell; Edward D. O'Brian

[57] **CLAIM**

The ornamental design for a carrying case for a toy, substantially as shown and described.

DESCRIPTION

FIG. 1 is a perspective view of a carrying case for a toy showing my new design, the sides not shown being identical to the sides shown;
FIG. 2 is a bottom plan view thereof;
FIG. 3 is a perspective view thereof in the open configuration; and
FIG. 4 is a plan view of the interior of the carrying case for a toy in the open configuration.



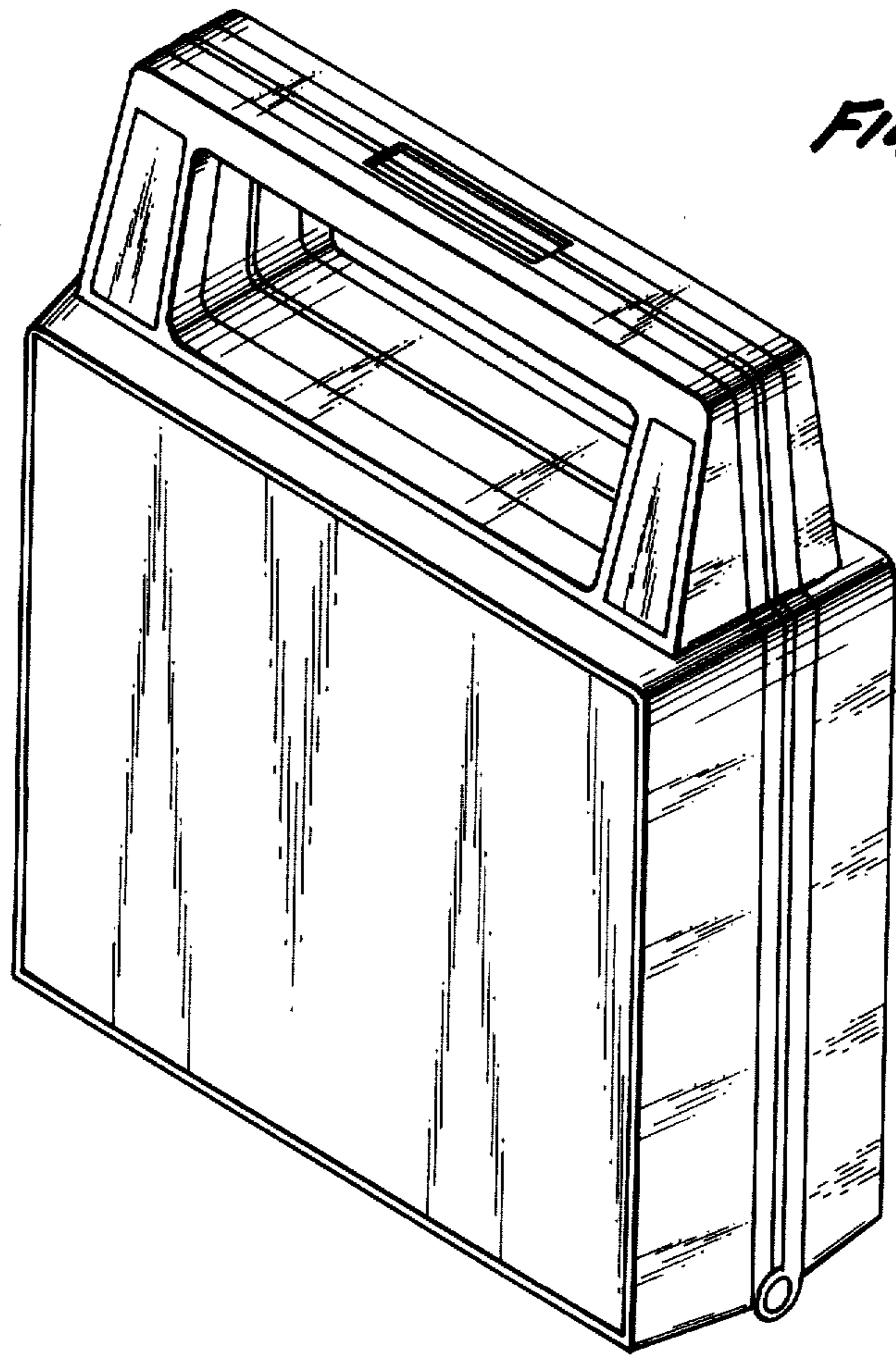
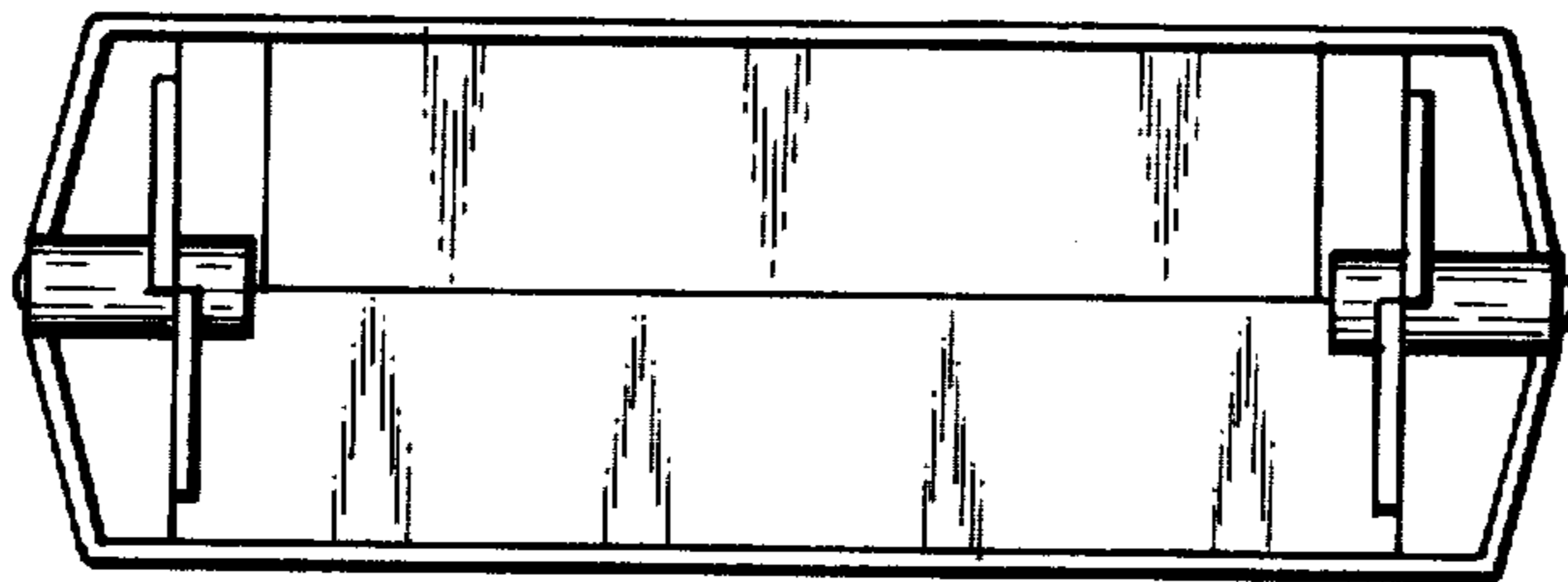


Fig. 1

Fig. 2



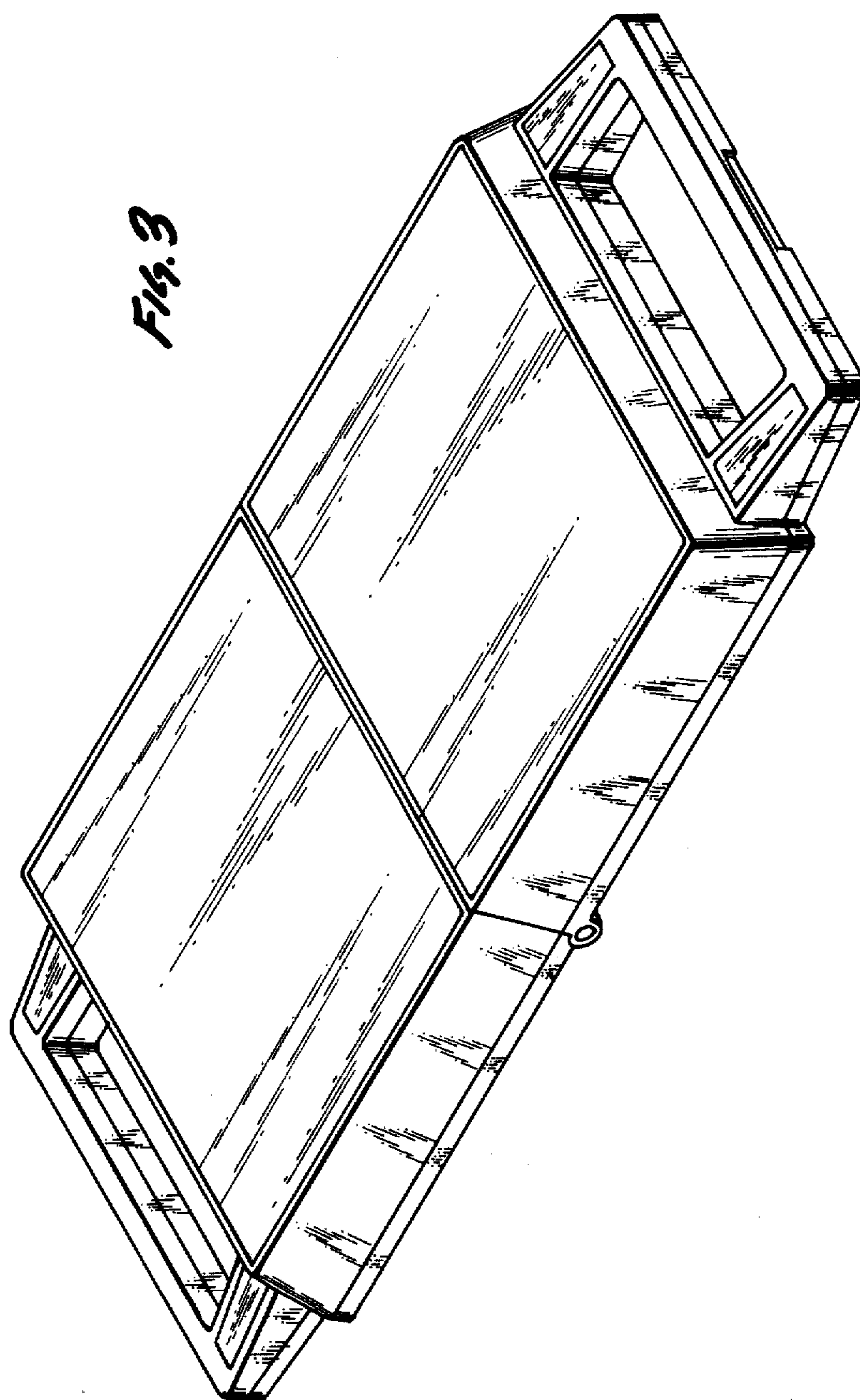


FIG. 3

FIG. 4

