

[54] WASTE RECEPTACLE

[76] Inventor: E. J. Creske, Wausau Tile, P.O. Box 1520, Wausau, Wis. 54401

[**] Term: 14 Years

[21] Appl. No.: 314,405

[22] Filed: Oct. 23, 1981

[51] Int. Cl. D7-05

[52] U.S. Cl. D34/7

[58] Field of Search D34/1-11; 220/1 T

[56] References Cited

U.S. PATENT DOCUMENTS

- D. 215,344 9/1969 Mangold et al. D34/1
- D. 247,605 3/1978 Miller D34/1
- D. 263,017 2/1982 Douglas D34/11
- D. 265,542 7/1982 Hanson et al. D34/11

Primary Examiner—Catherine E. Kemper
Attorney, Agent, or Firm—John S. Roberts, Jr.

[57] CLAIM

The ornamental design for a waste receptacle, as shown and described.

DESCRIPTION

FIG. 1 is a front perspective view of a waste receptacle, showing my new design;
FIG. 2 is a top plan view thereof;
FIG. 3 is an exploded perspective view thereof.

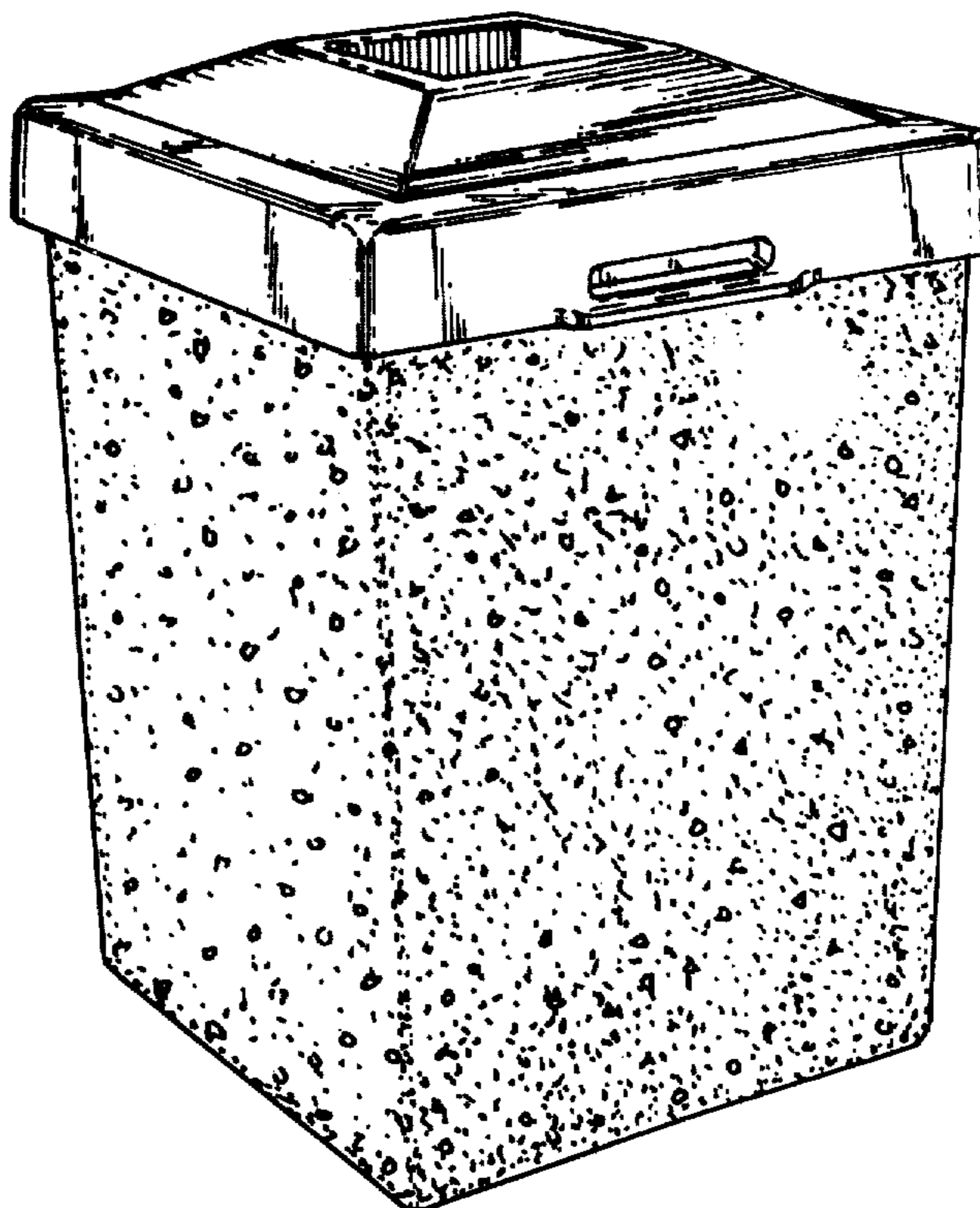


Fig. 1

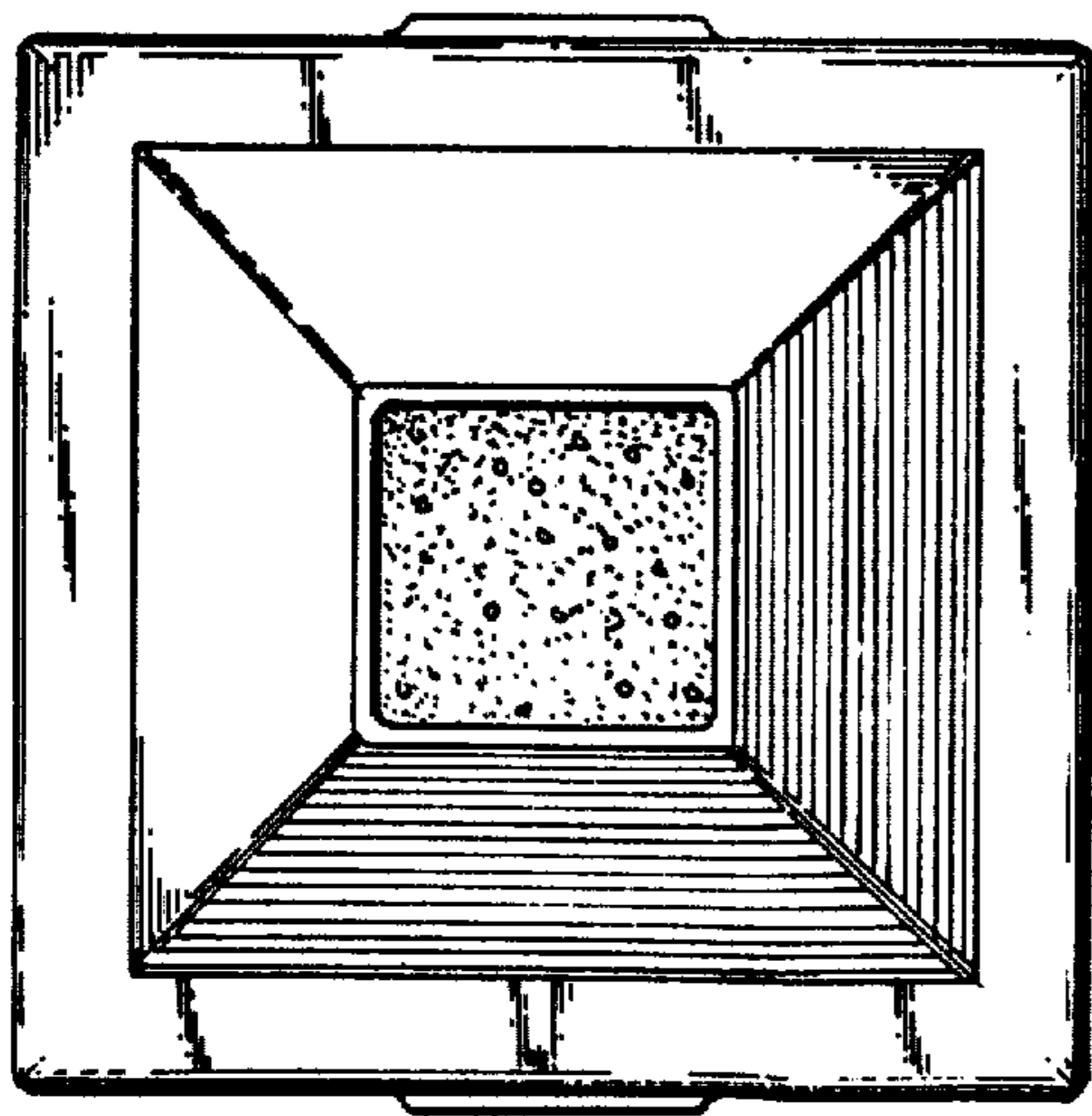
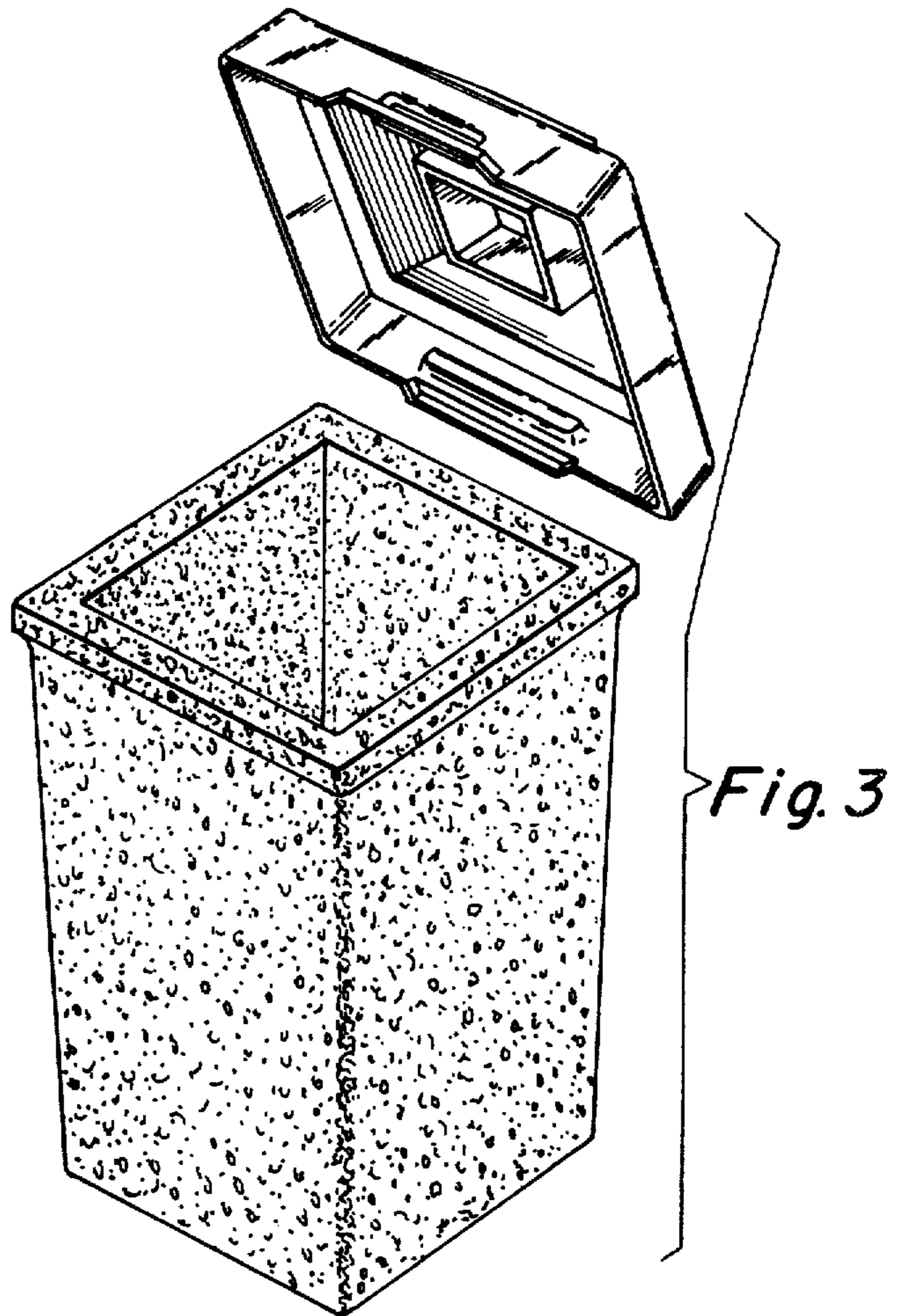
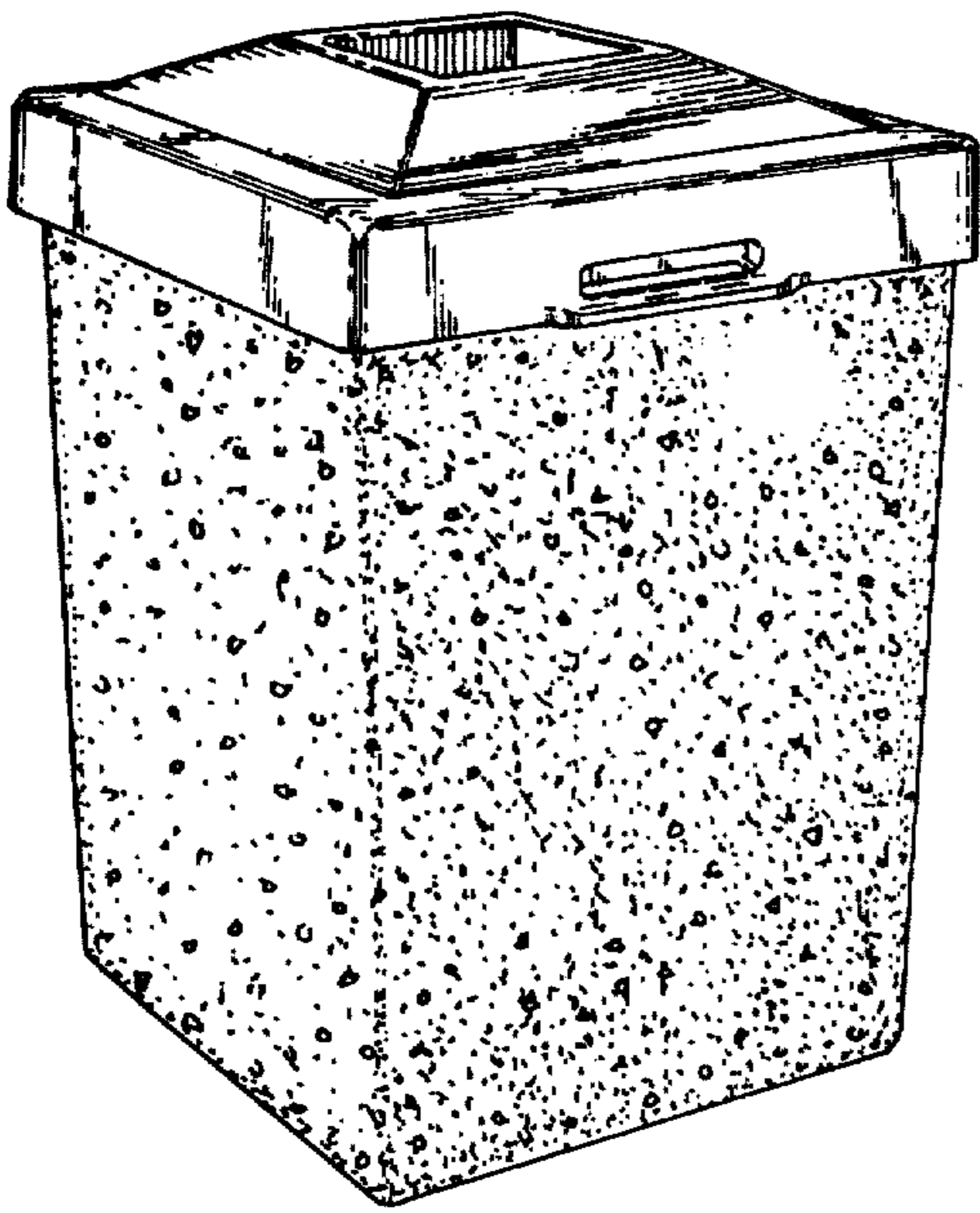


Fig. 2