

[54] **RAZOR**

[75] **Inventor:** Michael J. Gray, Duxbury, Mass.

[73] **Assignee:** The Gillette Company, Boston, Mass.

[**] **Term:** 14 Years

[21] **Appl. No.:** 352,149

[22] **Filed:** Feb. 25, 1982

[51] **Int. Cl.** D28—03

[52] **U.S. Cl.** D28/46

[58] **Field of Search** D28/44-51;
30/32, 34 R, 47, 50, 85-90

[56] **References Cited**

U.S. PATENT DOCUMENTS

D. 242,661	12/1976	Gray	D28/46
D. 248,878	8/1978	Halm	D28/46
D. 250,775	1/1979	Chen	D28/47
4,213,240	7/1980	Ferraro et al.	30/47

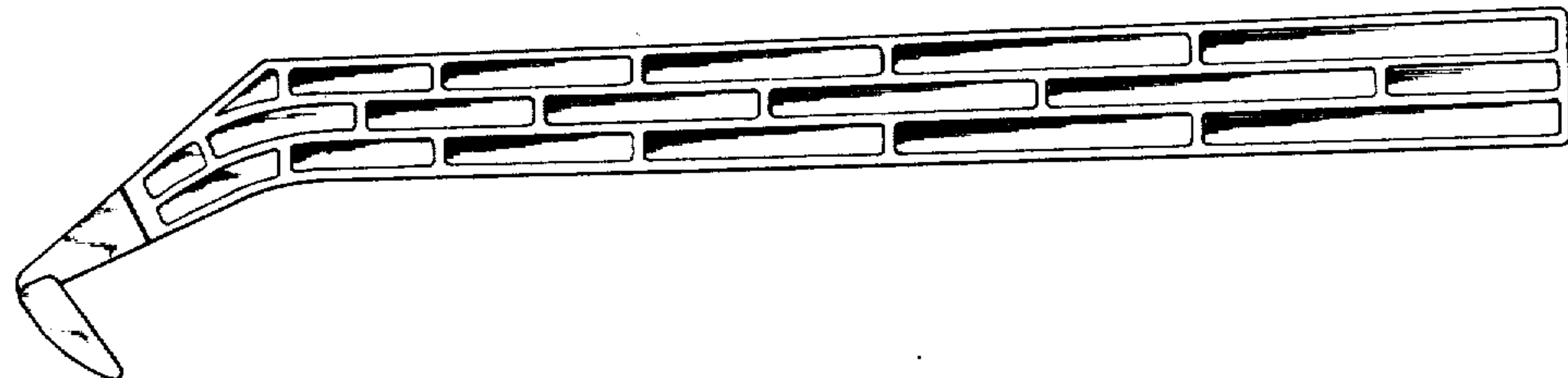
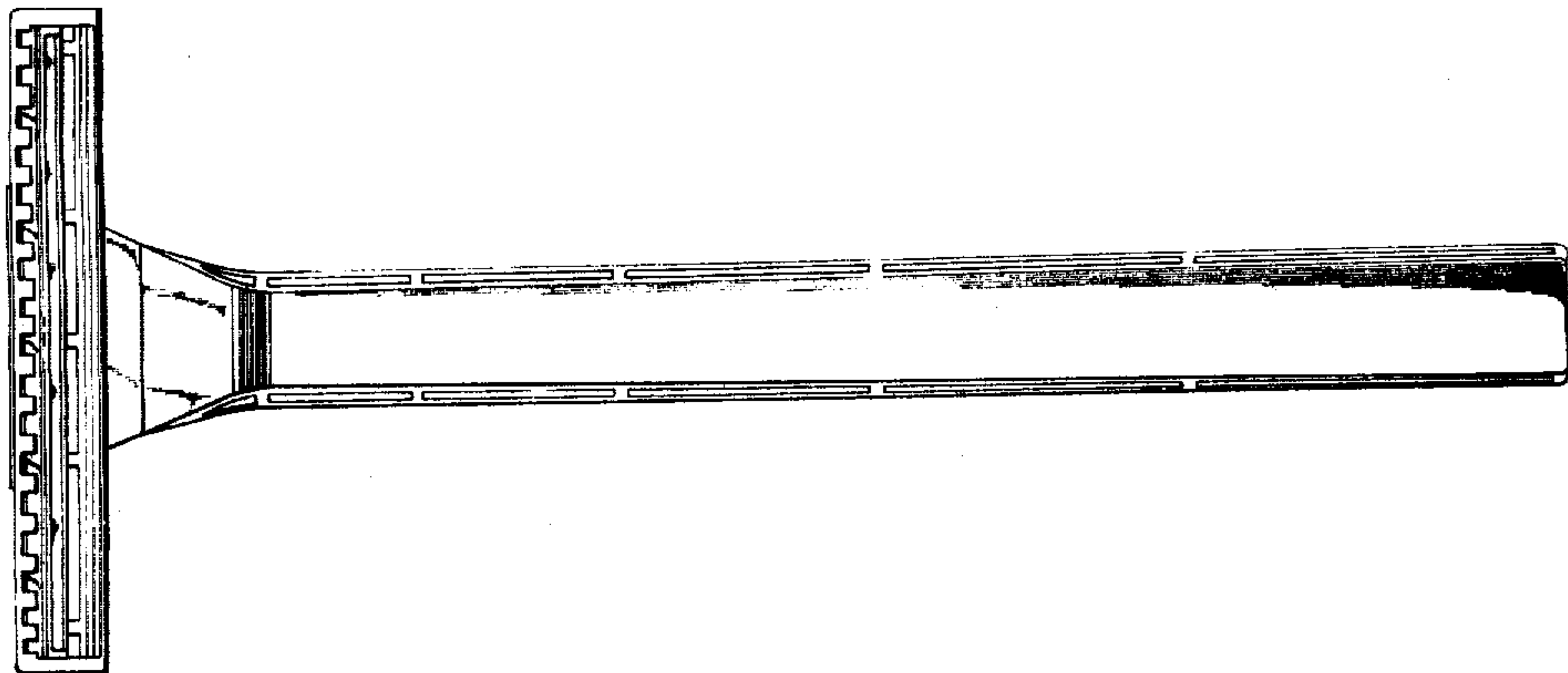
Primary Examiner—Louis S. Zarfes
Attorney, Agent, or Firm—Scott R. Foster

[57] **CLAIM**

The ornamental design for a razor, substantially as shown and described.

DESCRIPTION

FIG. 1 is a rear elevational view of a razor showing my new design;
FIG. 2 is a front elevational view thereof;
FIG. 3 is a side elevational view, the opposite side being substantially a mirror image thereof; and
FIG. 4 is a top plan view thereof.



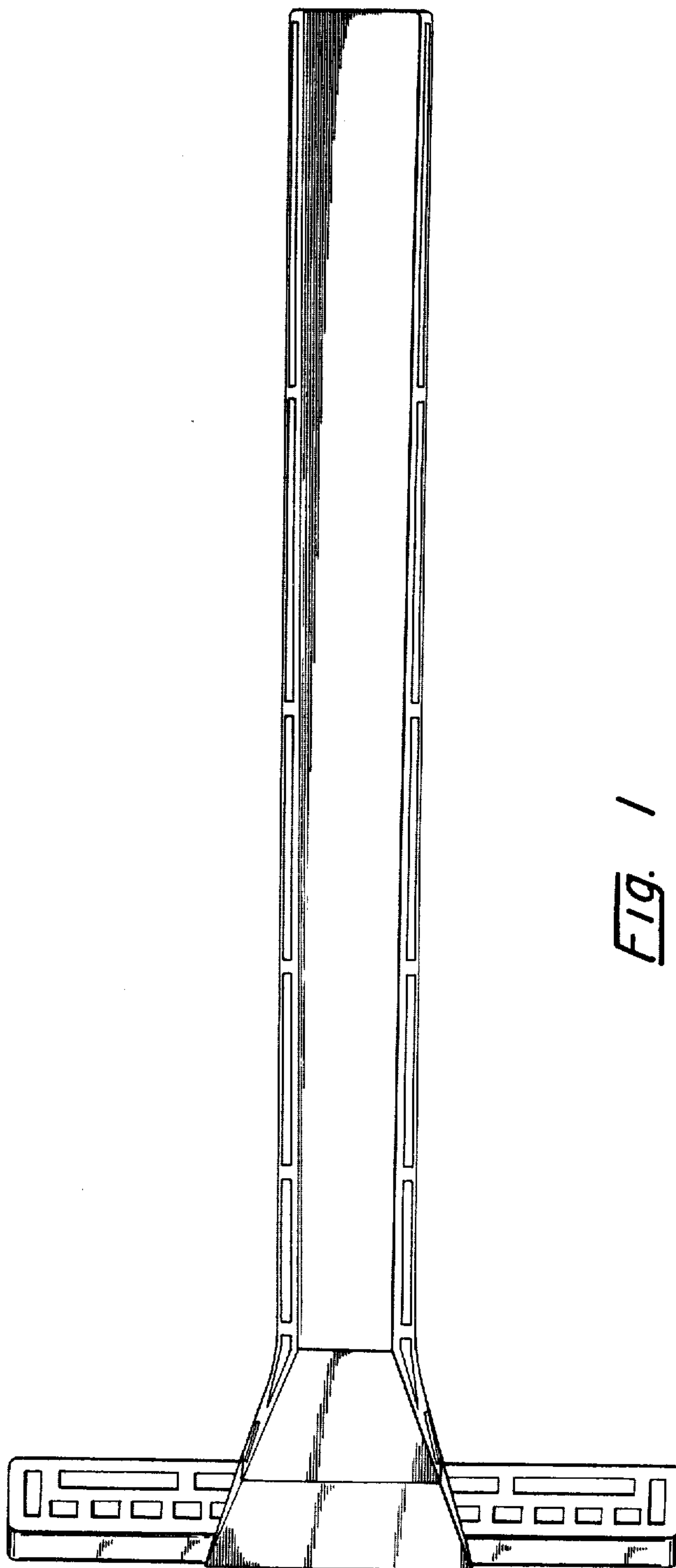


FIG. 1

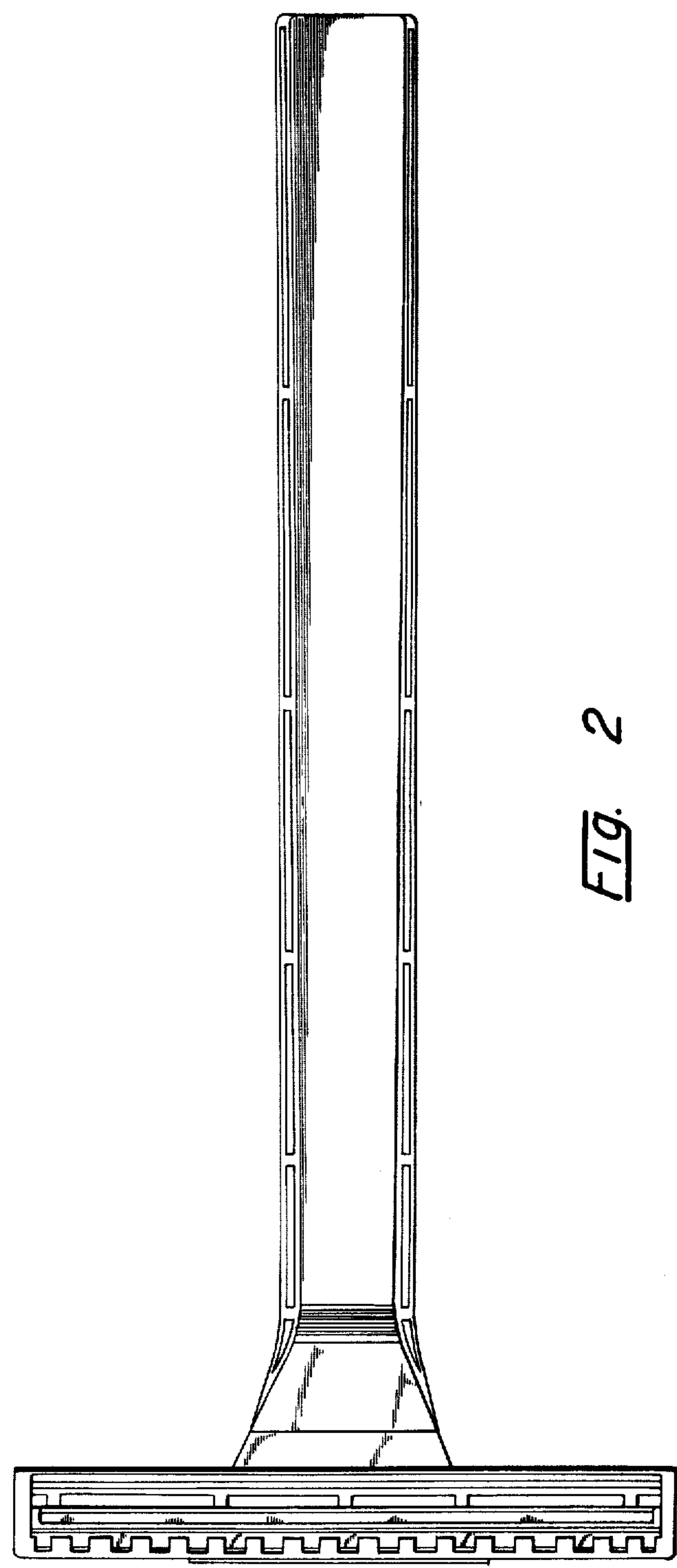


FIG. 2

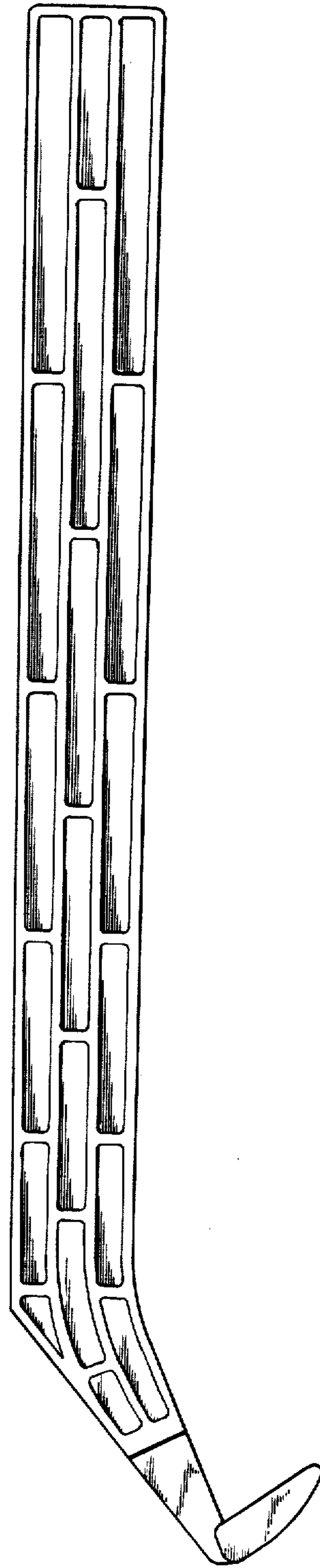


FIG. 3

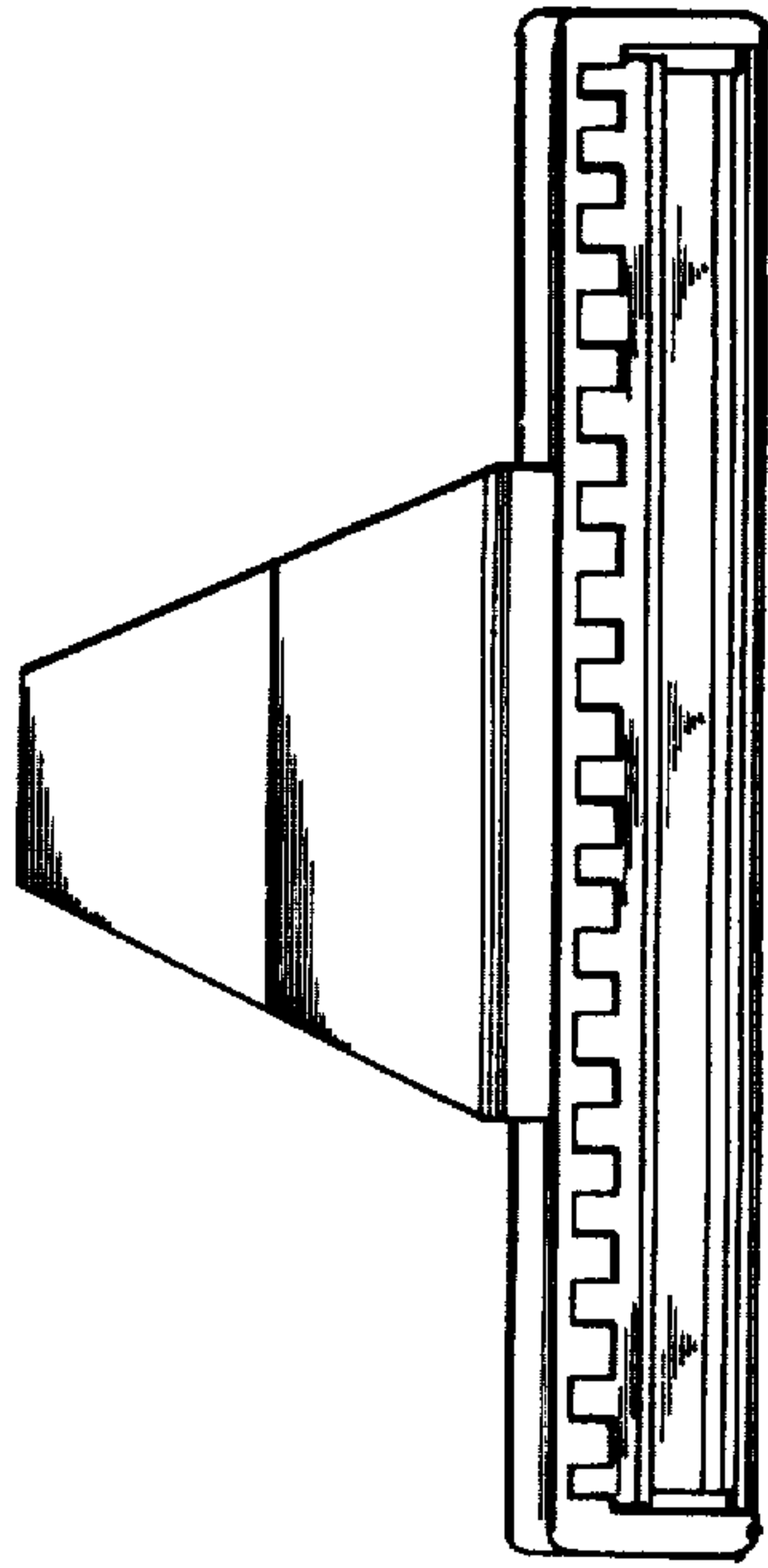


FIG. 4