

[54] **COMBINED COMB AND PEN**
[76] Inventor: **Derren A. Klein**, 698 E. 650 North,
Centerville, Utah 84014
[**] Term: **14 Years**
[21] Appl. No.: **312,645**
[22] Filed: **Oct. 19, 1981**
[51] Int. Cl. **D28—03**
[52] U.S. Cl. **D28/25; D19/36;**
D19/49
[58] Field of Search **D28/10, 15, 21-25,**
D28/27, 30-34; D19/36; 132/7, 9, 11 R, 122,
124, 148, 150, 158; 401/95, 195; D19/49

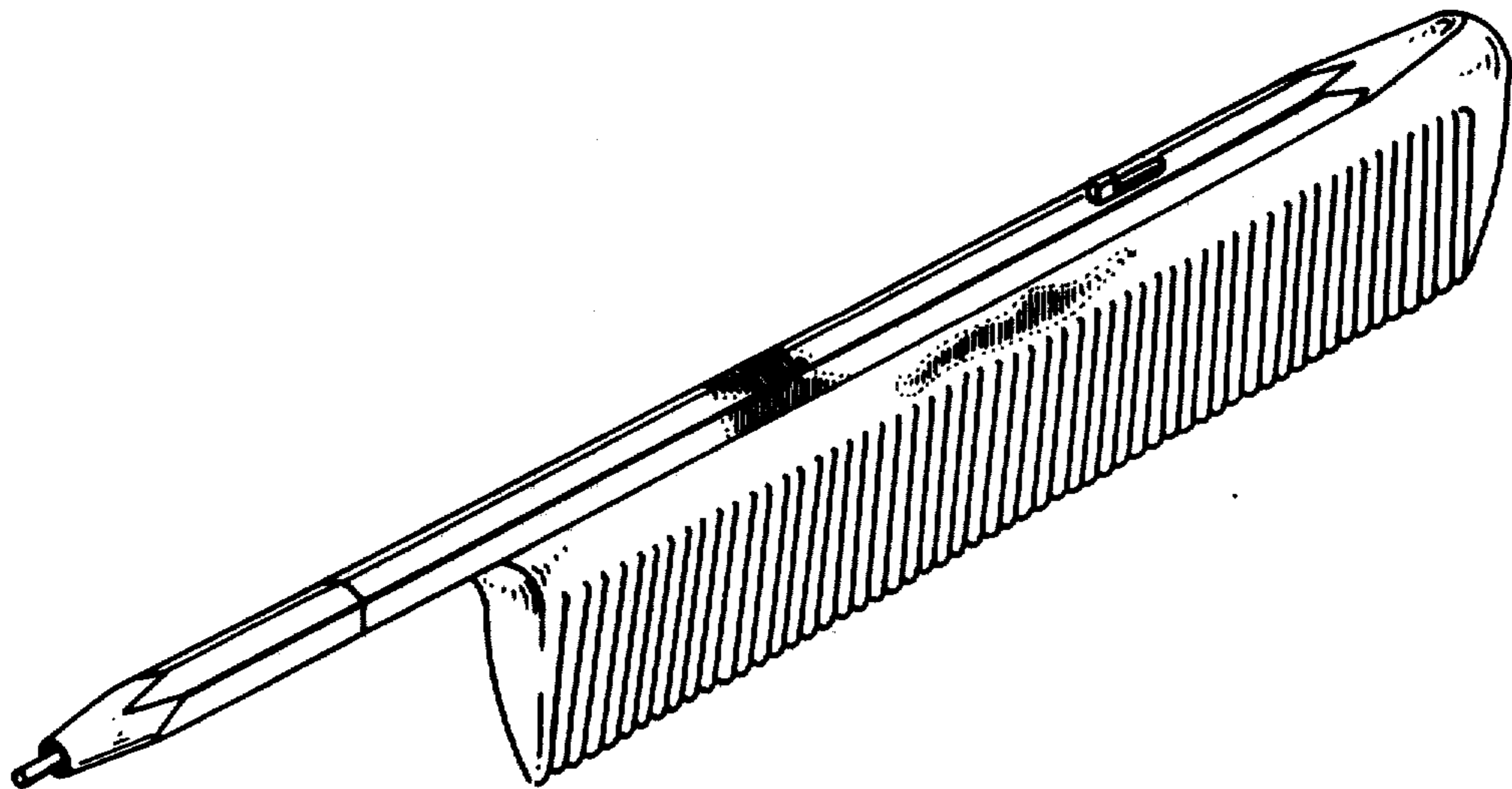
[56] **References Cited**
U.S. PATENT DOCUMENTS
D. 234,060 1/1975 Edmunds **D28/25**
2,387,924 10/1945 McClure **D28/25 X**

2,401,750 6/1946 Dye 132/148 X
2,496,311 2/1950 Renfrew 132/150 X
2,757,638 8/1956 Goldstein 401/95 X

Primary Examiner—Louis S. Zarfes
Attorney, Agent, or Firm—Terry M. Crellin; B. Deon
Criddle

[57] **CLAIM**
The ornamental design for a combined comb and pen,
as shown and described.

DESCRIPTION
FIG. 1 is a perspective view of a combined comb and
pen showing my new design;
FIG. 2 is a side elevational view thereof, a portion of
the pen being broken away for ease of illustration;
FIG. 3 is a top plan view thereof;
FIG. 4 is a right end elevational view thereof;
FIG. 5 is a left end elevational view thereof; and
FIG. 6 is a bottom plan view thereof.



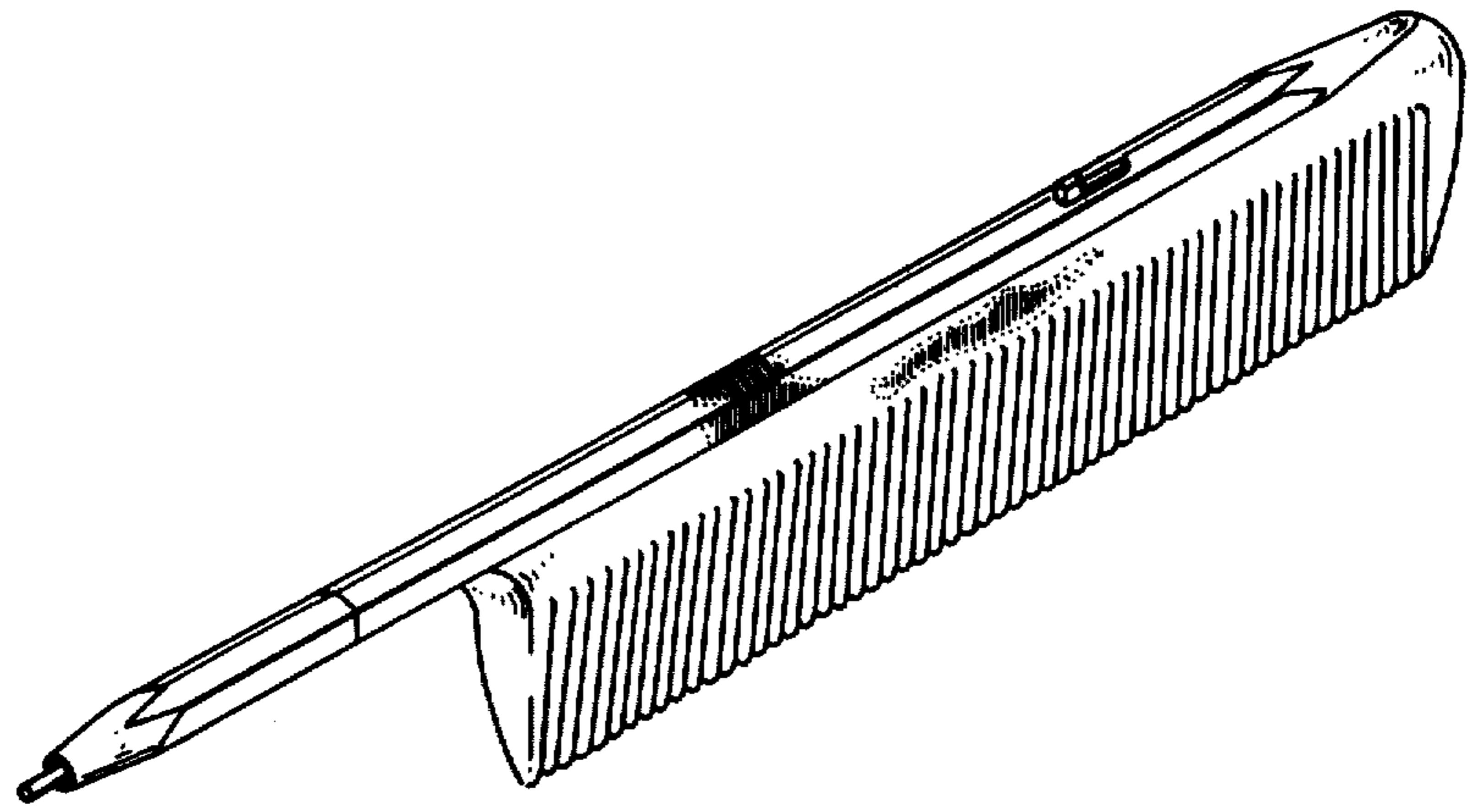


Fig. 1



Fig. 3



Fig. 5

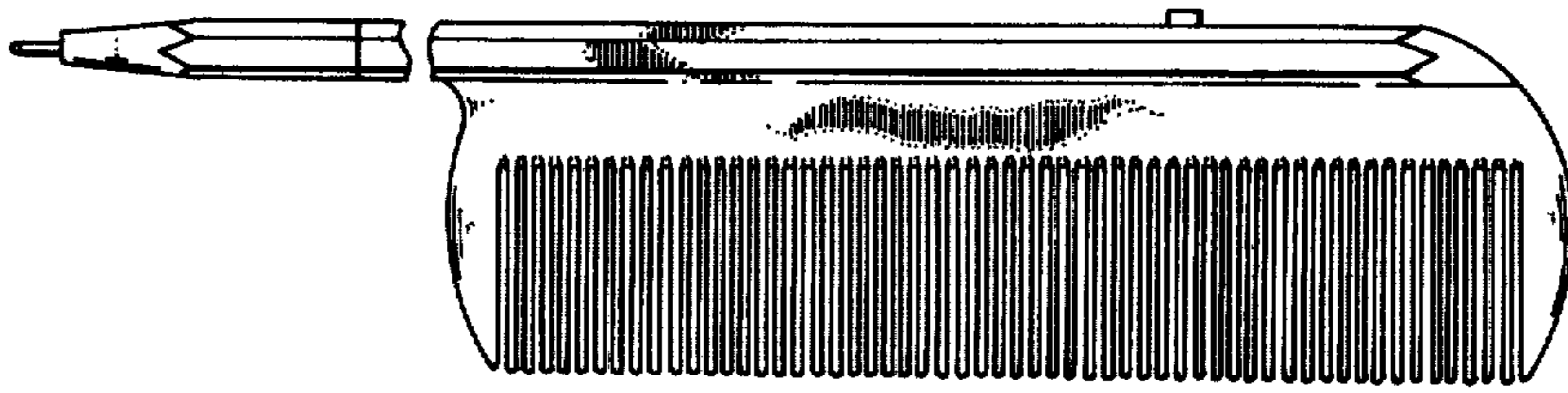


Fig. 2



Fig. 4



Fig. 6