

[54] **GUIDE SECTION**

[75] **Inventor:** **Martin H. Whitehouse**, Northmead, Australia

[73] **Assignee:** **Byrne & Davidson Doors (NSW) Pty. Ltd.**, Revesby, Australia

[\*\*] **Term:** **14 Years**

[21] **Appl. No.:** **298,732**

[22] **Filed:** **Sep. 2, 1981**

[30] **Foreign Application Priority Data**

Mar. 4, 1981 [AU] Australia ..... 83,483

[51] **Int. Cl.** ..... **D25—01**

[52] **U.S. Cl.** ..... **D25/74**

[58] **Field of Search** ..... 49/475; 52/393, 202, 52/396, 404, 403; 160/392; D25/73-77

[56] **References Cited**

**U.S. PATENT DOCUMENTS**

- D. 214,034 5/1969 Griffith ..... D25/74
- D. 233,520 11/1974 LeVan ..... D25/74
- D. 237,103 10/1975 Fisher ..... D25/74

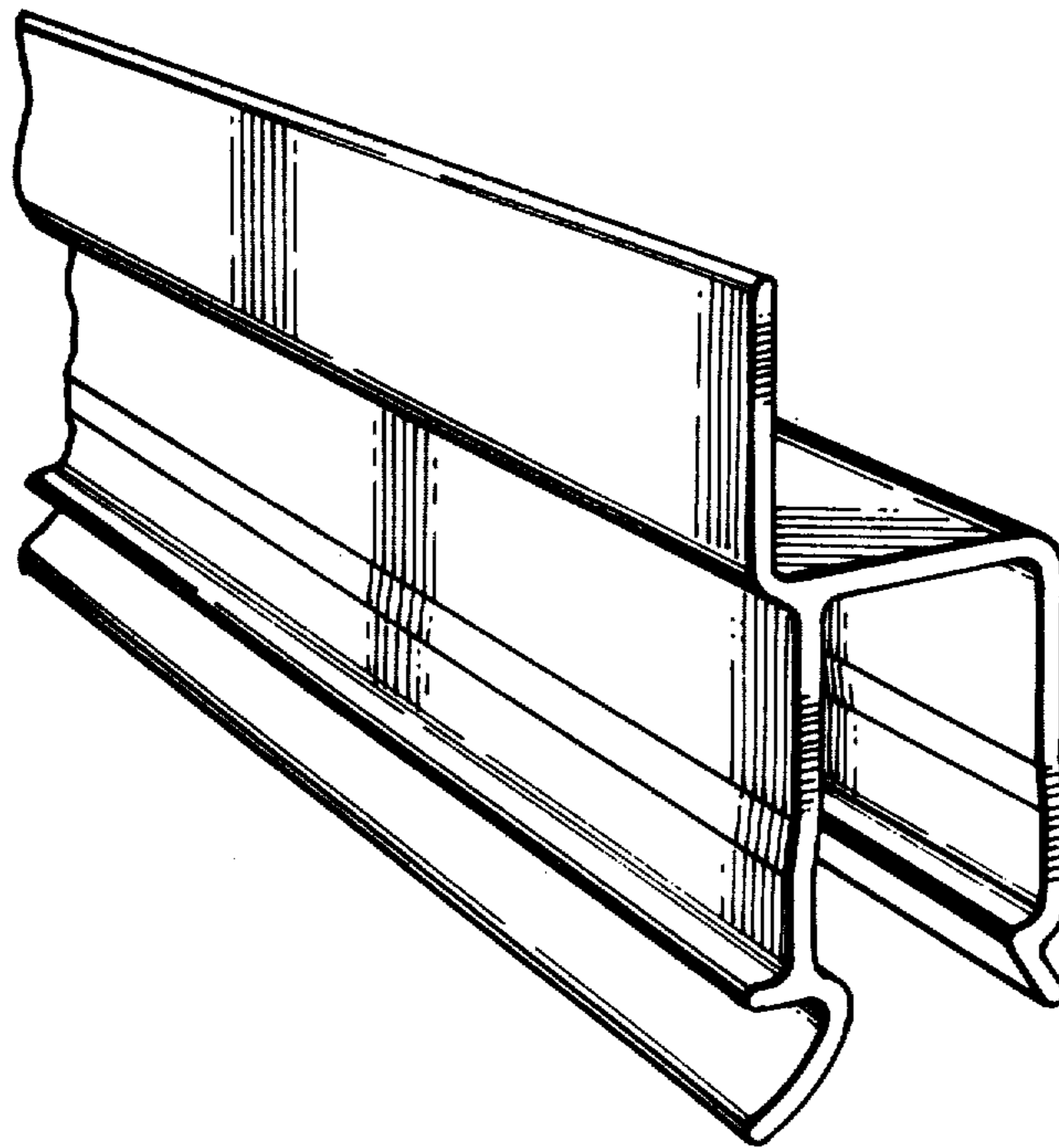
*Primary Examiner*—A. Hugo Word  
*Attorney, Agent, or Firm*—Pennie & Edmonds

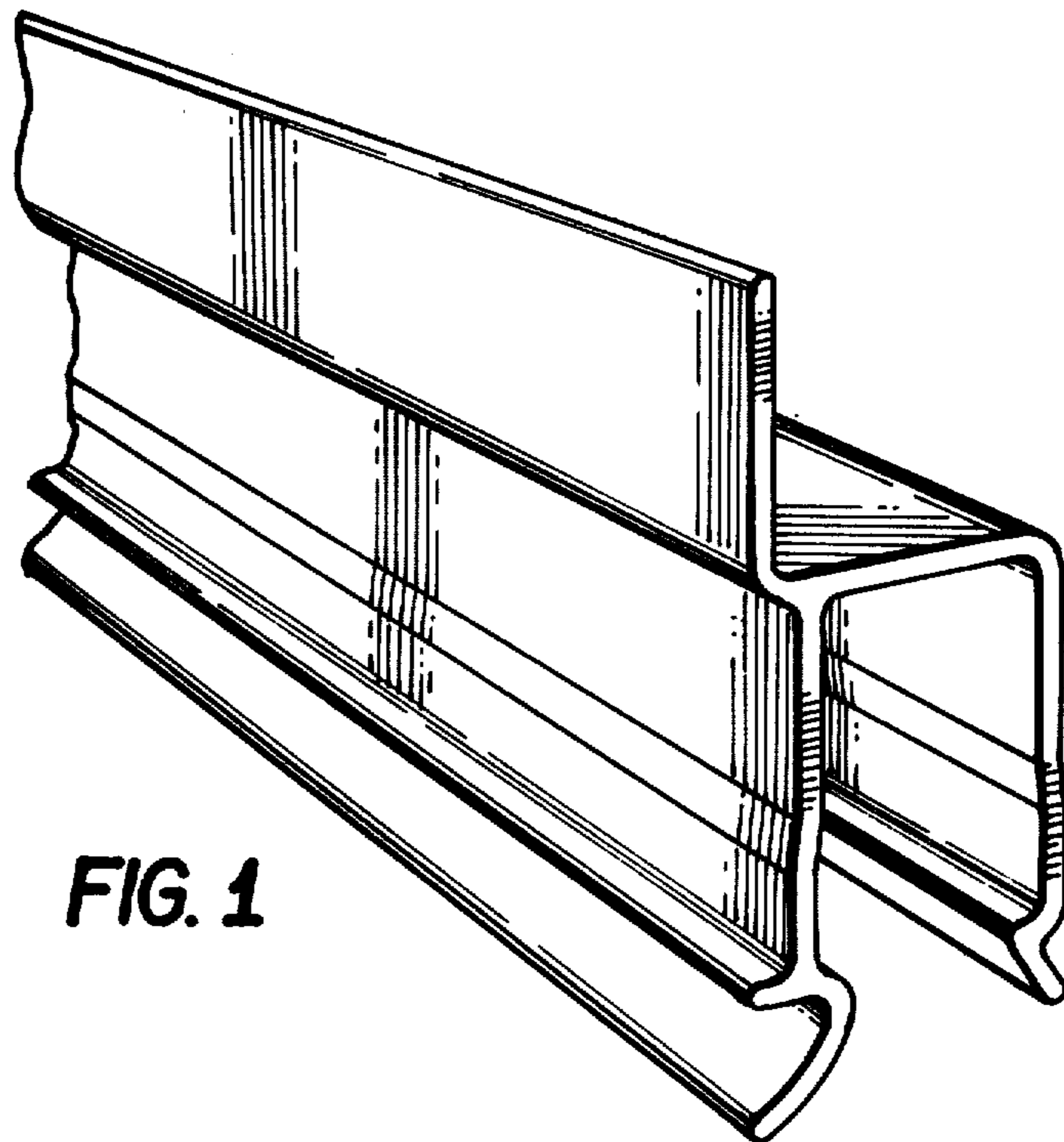
[57] **CLAIM**

The ornamental design for a guide section, as shown.

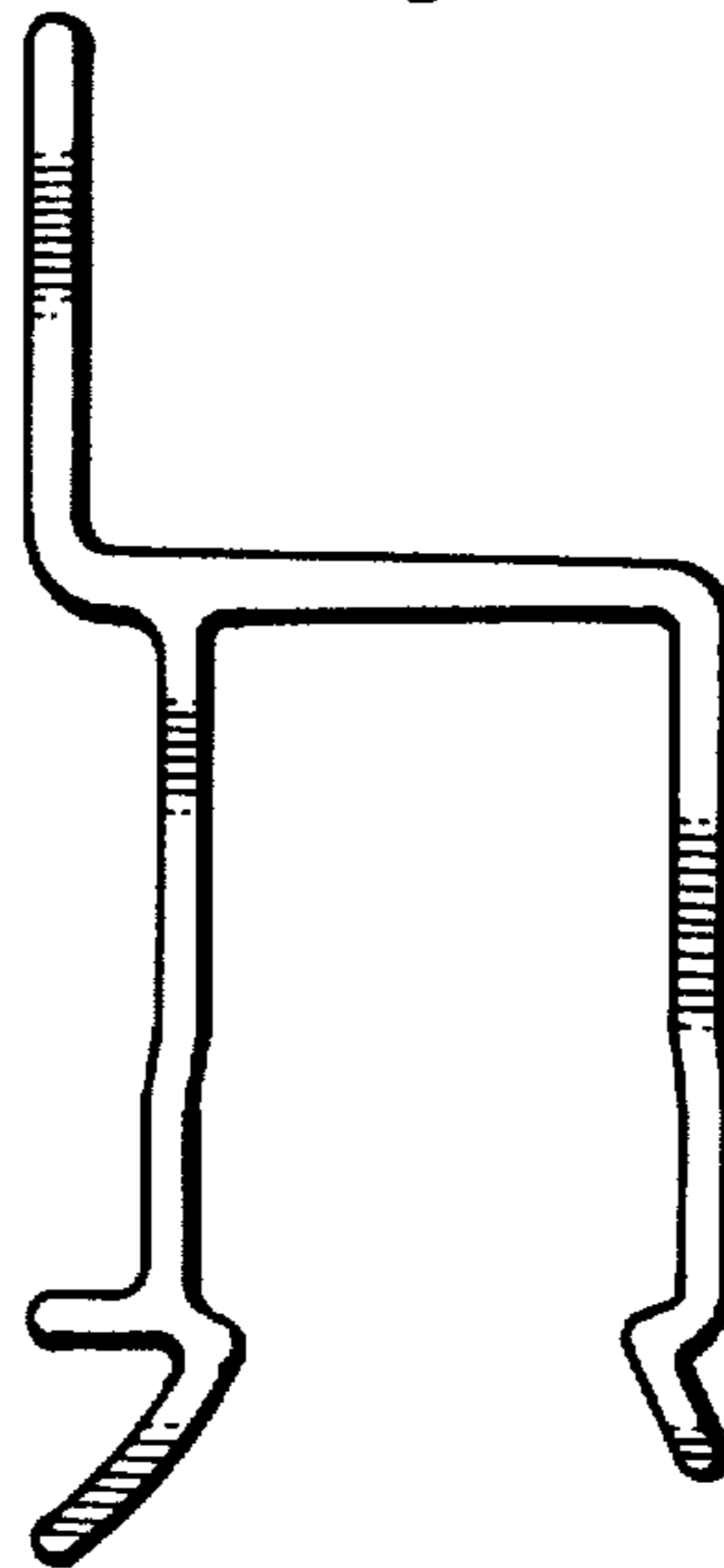
**DESCRIPTION**

FIG. 1 is a perspective view of the guide section.  
FIG. 2 is an end elevation of the guide section.





**FIG. 1**



**FIG. 2**