

[54] GANTRY WITH PATIENT TABLE FOR  
COMPUTERIZED TOMOGRAPHY  
SCANNER SYSTEM

[75] Inventor: Kenneth Wagner, Chesterland, Ohio

[73] Assignee: Technicare Corporation, Solon, Ohio

[\*\*] Term: 14 Years

[21] Appl. No.: 418,625

[22] Filed: Sep. 17, 1982

[51] Int. Cl. .... D24-01

[52] U.S. Cl. .... D24/02; D24/1.1

[58] Field of Search ..... 378/4-27;  
D24/2, 1.1; D10/46, 75-78, 103

[56] References Cited

U.S. PATENT DOCUMENTS

D. 208,284 8/1967 Waine et al. .... D24/02

D. 213,409 2/1969 Vedder ..... D24/02  
D. 246,111 10/1977 Steinhilber ..... D24/1.1  
4,015,129 3/1977 Manring ..... 378/4  
4,304,999 12/1981 Richey ..... 378/147 X  
4,323,783 4/1982 Distler et al. .... 378/4

Primary Examiner—Bernard Ansher  
Attorney, Agent, or Firm—Michael A. Kaufman

[57] CLAIM

An ornamental design for a gantry with patient table for computerized tomography scanner system, as shown and described.

DESCRIPTION

FIG. 1 is a perspective view of a gantry with patient table for computerized tomography scanner system showing my new design;

FIG. 2 is a front elevational view thereof;

FIG. 3 is a rear elevational view thereof;

FIG. 4 is a side elevational view thereof; and

FIG. 5 is a top plan view thereof.

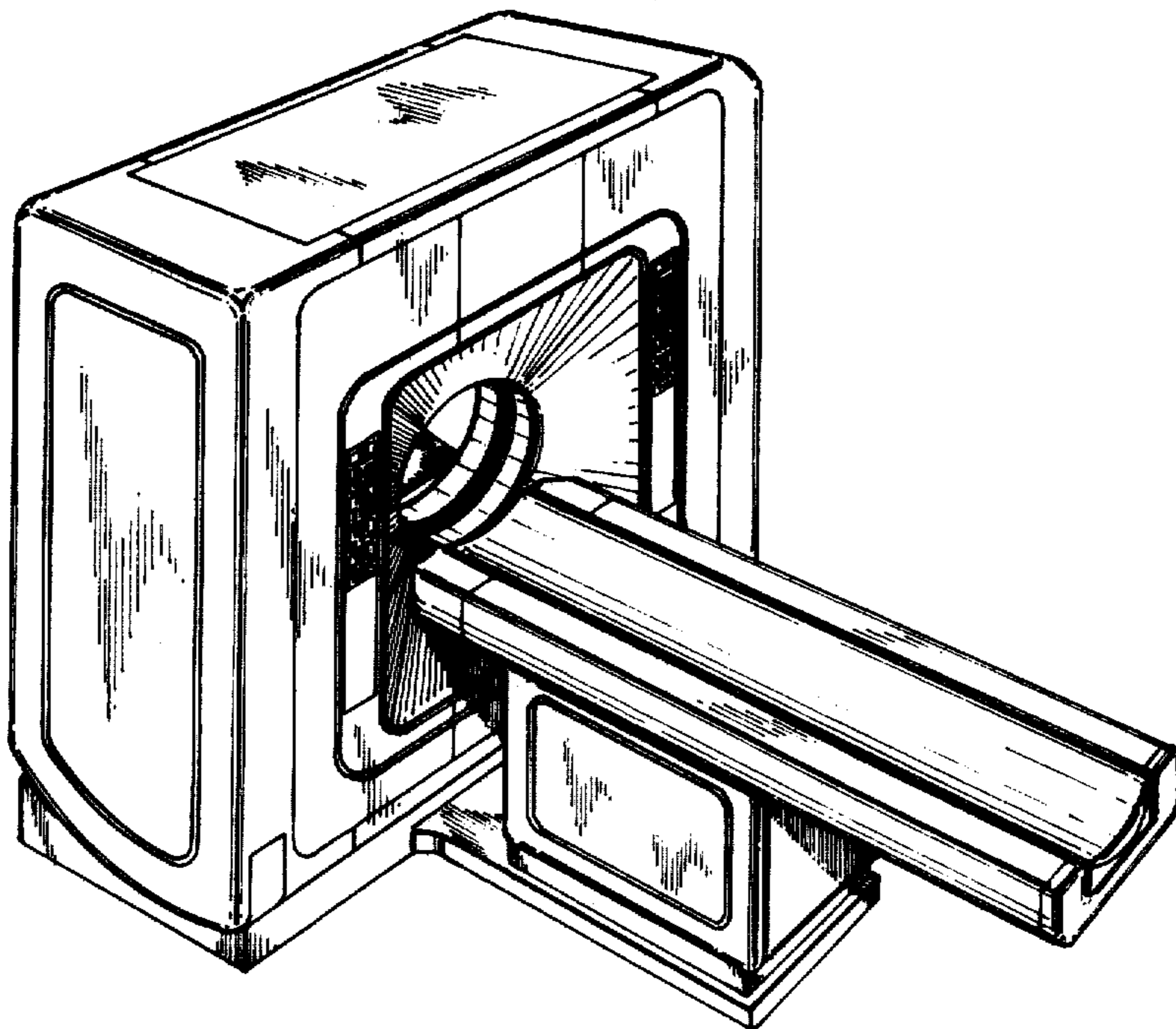
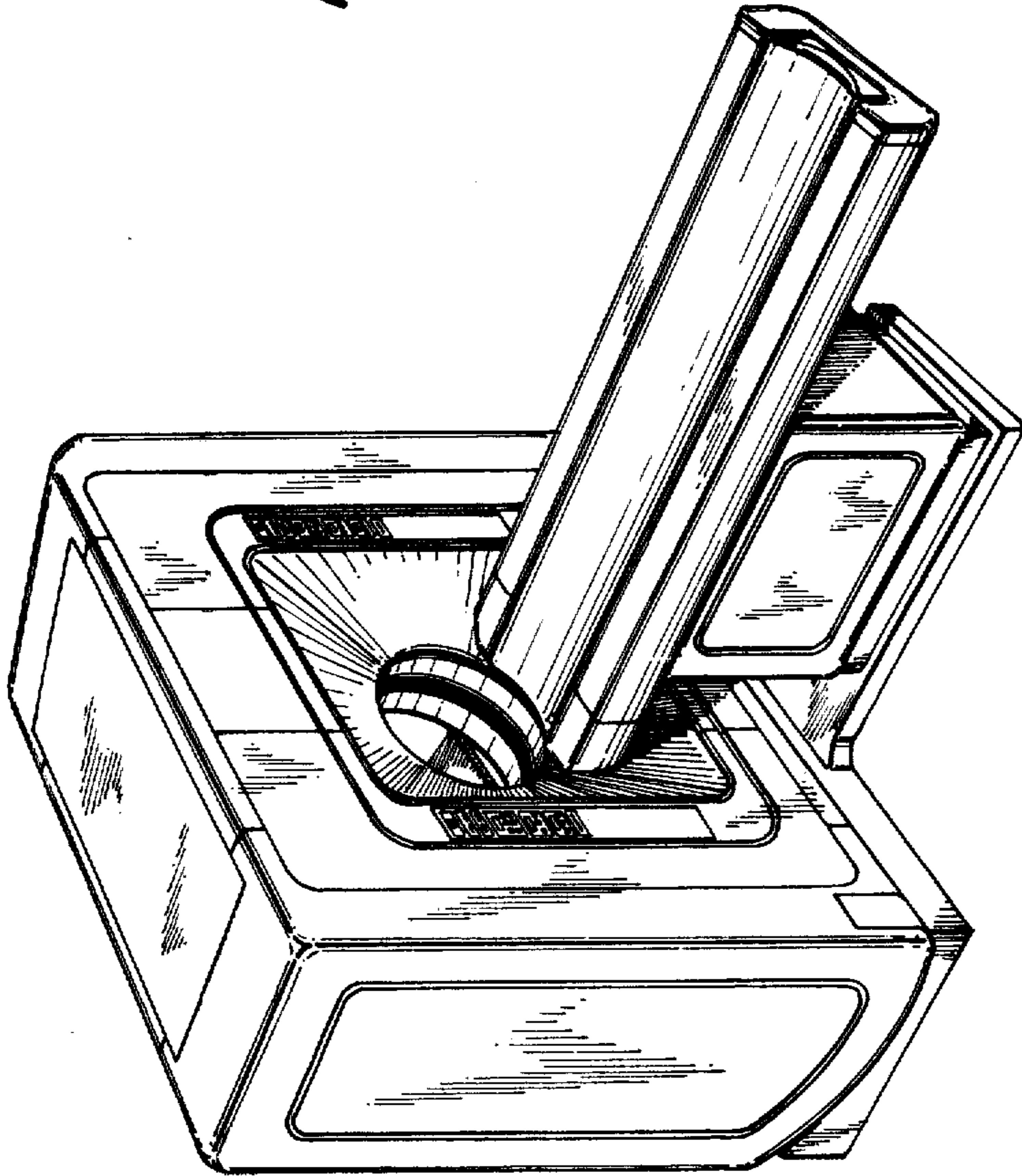
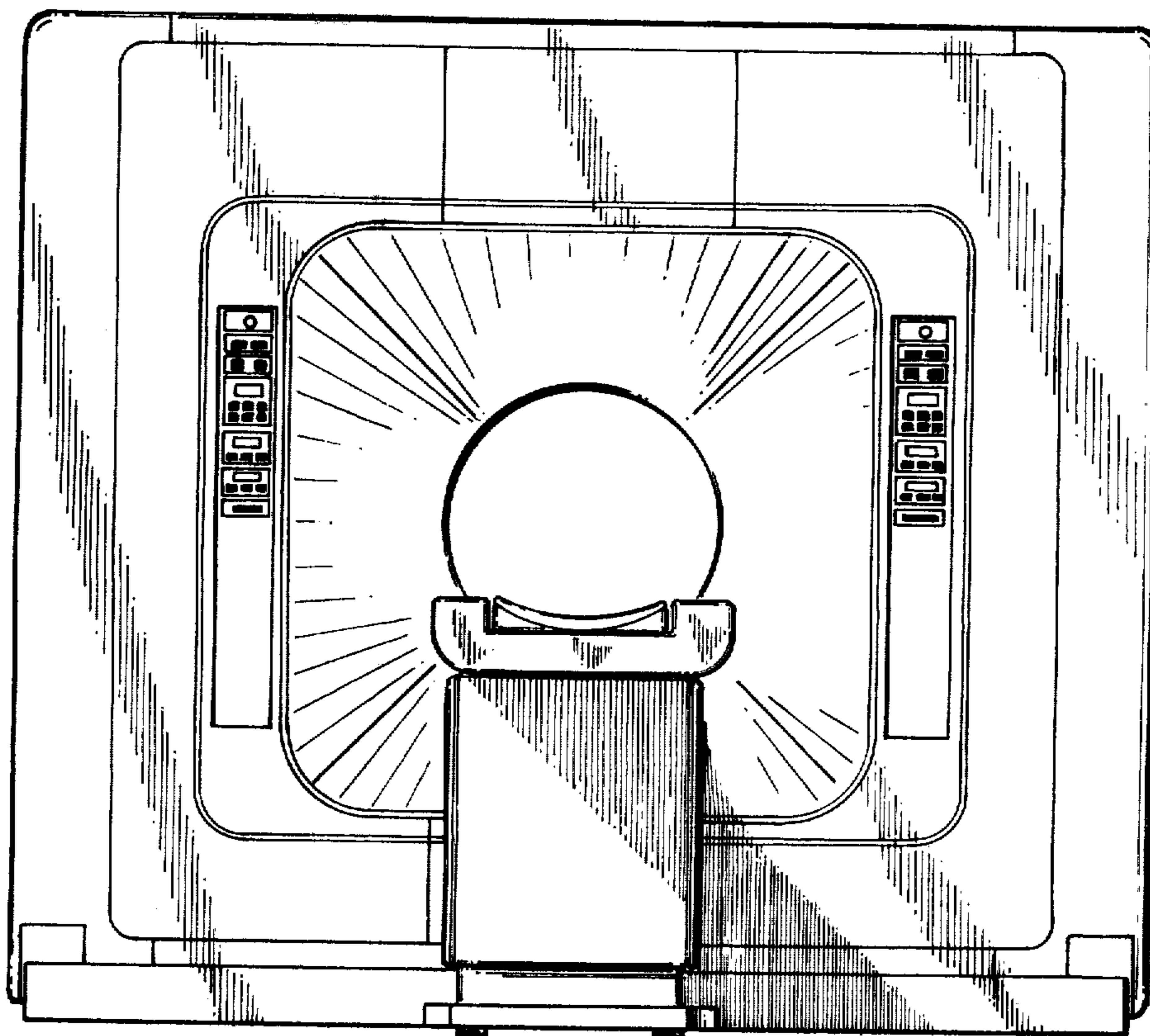


FIG-1



*FIG-2*



*FIG-3*

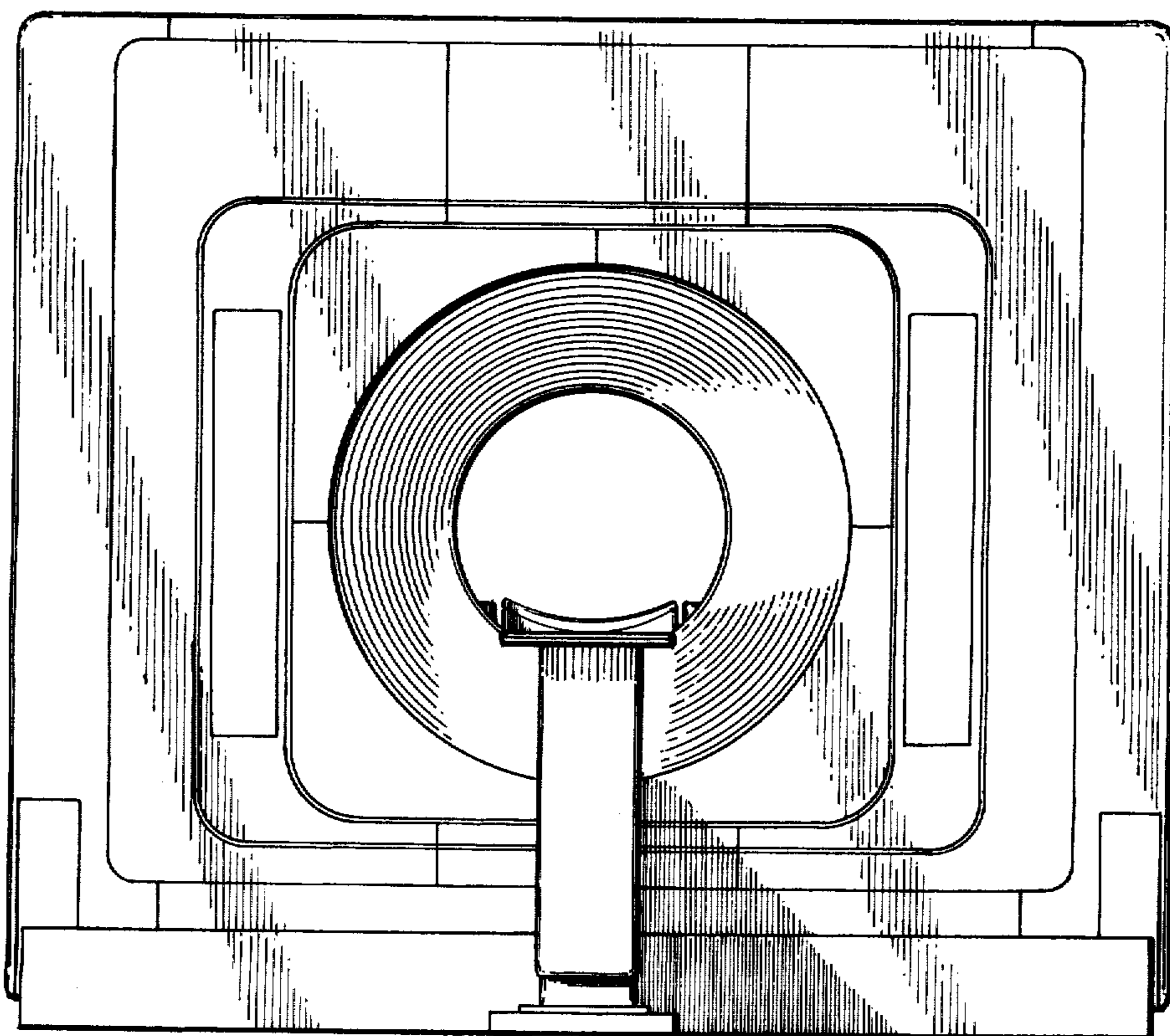
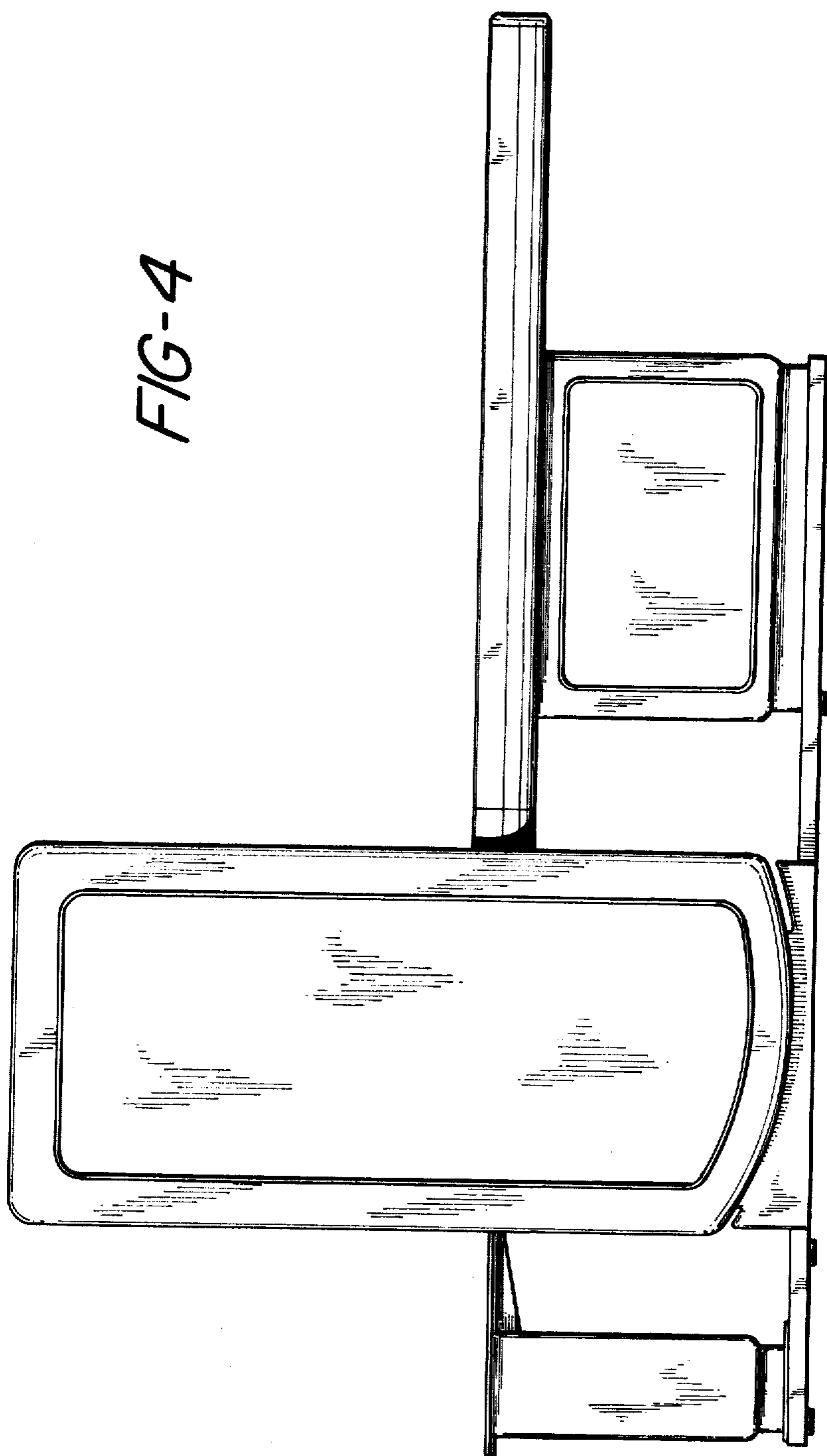


FIG-4



*FIG-5*

