

[54] IRRIGATION SPRINKLER

[75] Inventor: Michael E. Heck, Sacramento, Calif.

[73] Assignee: Berkan-Heck Company, Sacramento, Calif.

[**] Term: 14 Years

[21] Appl. No.: 215,326

[22] Filed: Dec. 11, 1980

[51] Int. Cl. D23-01

[52] U.S. Cl. D23/7

[58] Field of Search D23/6-10; 239/230-233

[56] References Cited

U.S. PATENT DOCUMENTS

D. 255,825	7/1980	Handy	D23/7
2,769,666	11/1956	Spender	239/230
3,022,012	2/1962	Sharp et al.	239/230
3,208,672	9/1965	Sully	239/230

3,408,009	10/1968	Friedmann et al.	239/231
3,726,479	4/1973	Leissner et al.	239/233
3,765,608	10/1973	Lockwood	239/231 X
3,918,643	11/1975	Malcolm	239/230
3,930,617	1/1976	Dunmiro	239/233 X
3,952,953	4/1976	Eby	239/230
3,977,610	8/1976	Royer	239/233 X

Primary Examiner—James R. Largen
Attorney, Agent, or Firm—Mark C. Jacobs; Robert West

[57] CLAIM

The ornamental design for an irrigation sprinkler, as shown.

DESCRIPTION

FIG. 1 is a front elevation of an irrigation spinkler, showing my new design;
FIG. 2 is a top plan view thereof;
FIG. 3 is a bottom plan view thereof;
FIG. 4 is a rear elevation thereof;
FIG. 5 is an elevation of the right side thereof; and
FIG. 6 is an elevation of the left side thereof.

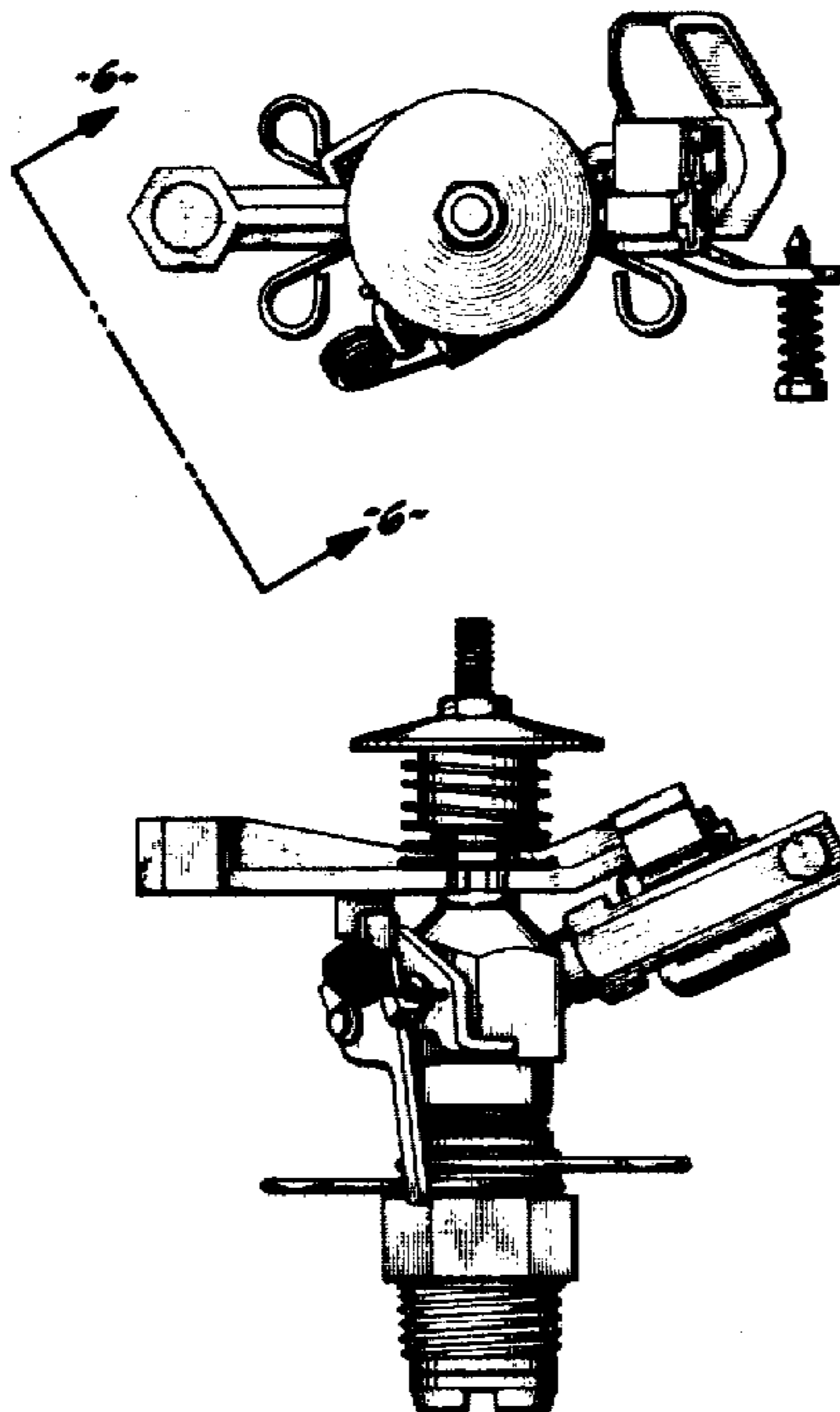


FIG-2

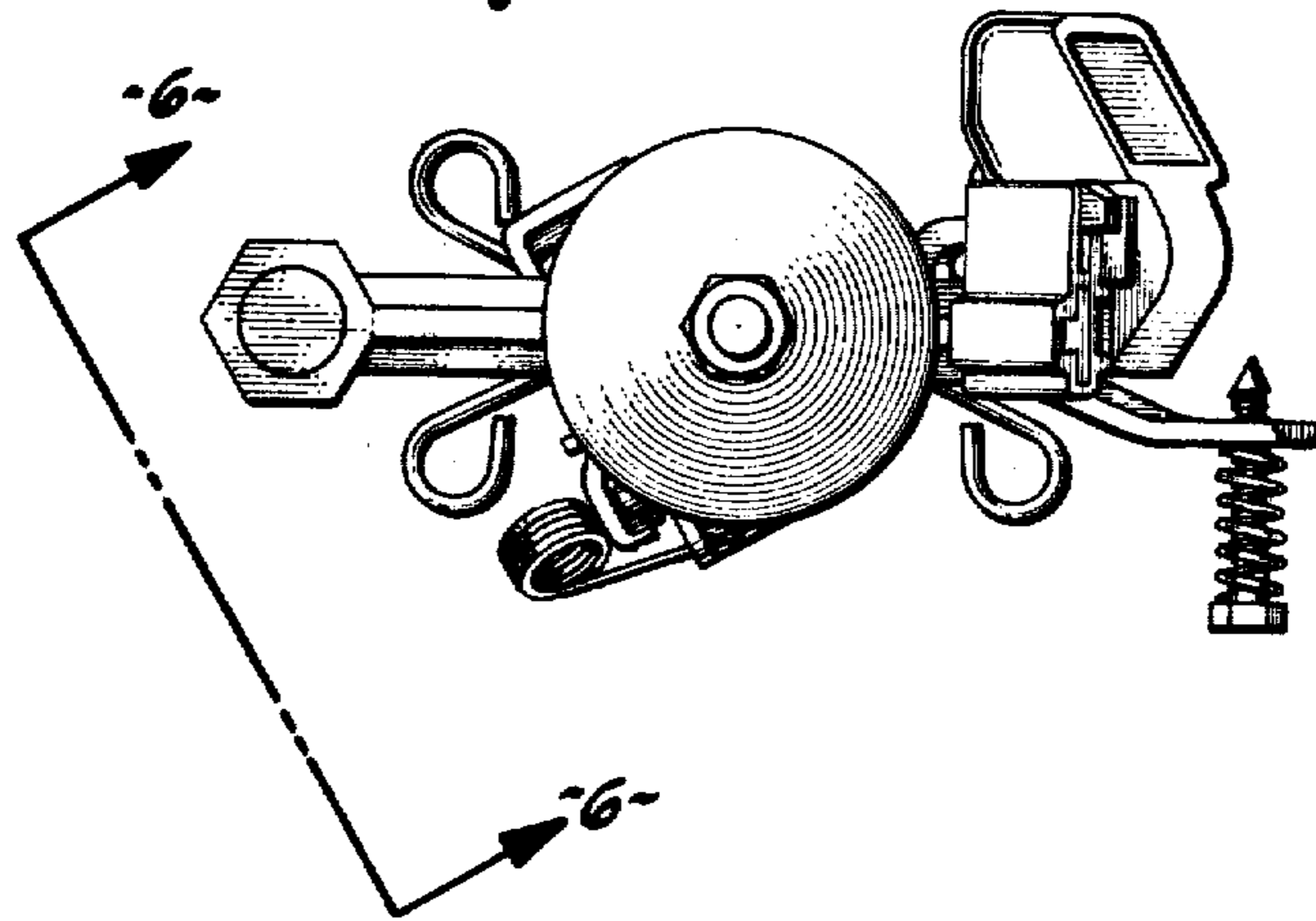


FIG-1

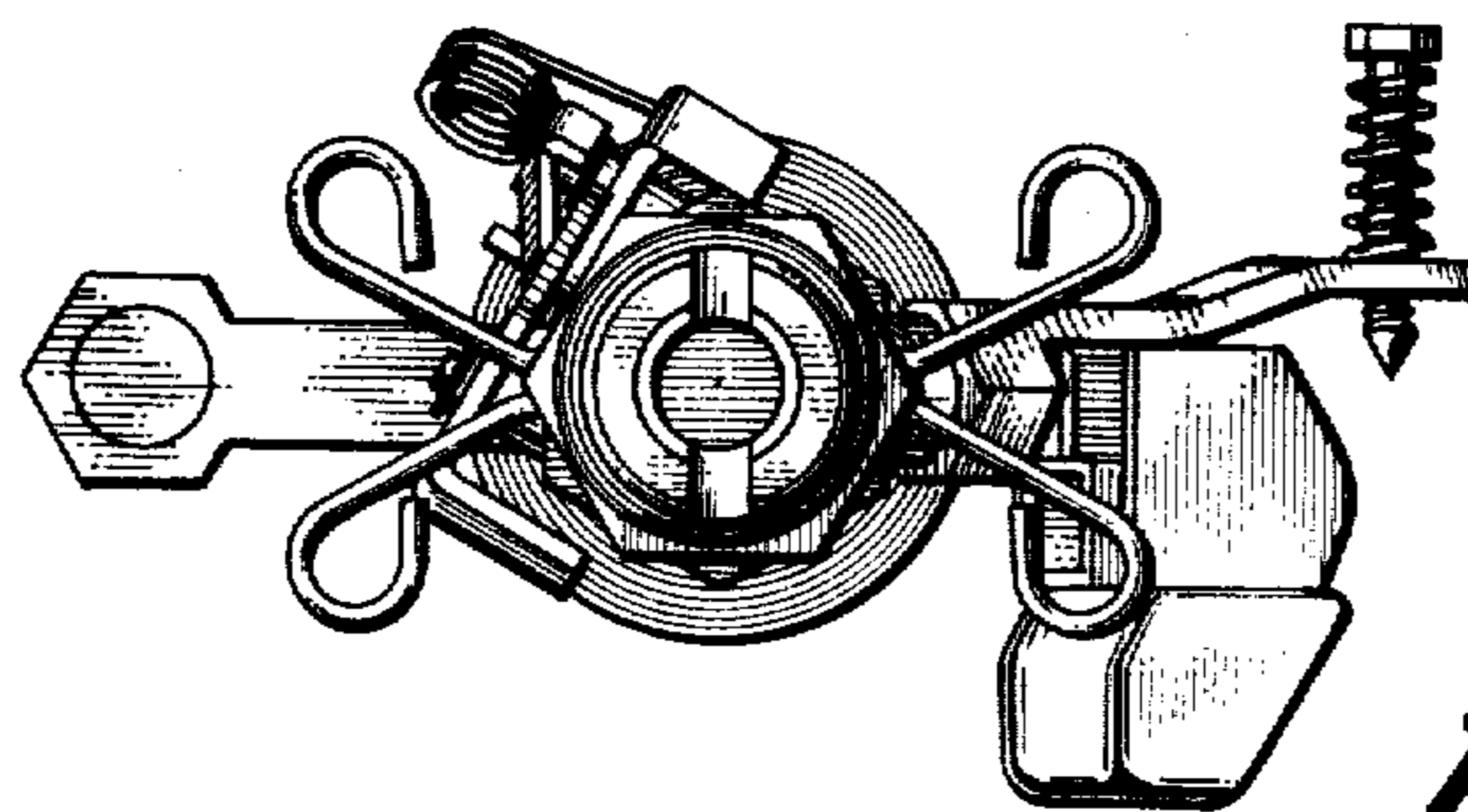
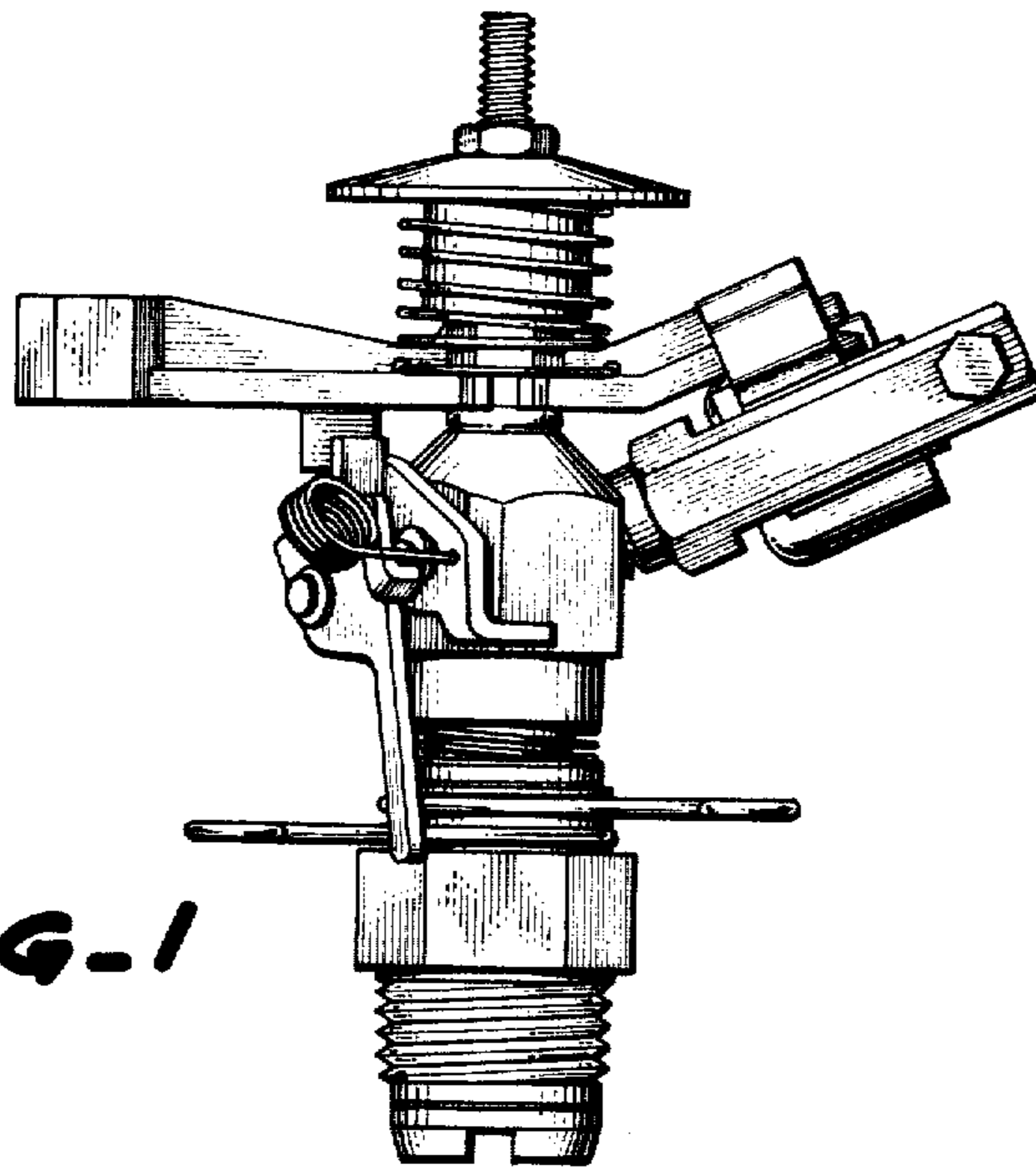


FIG-3

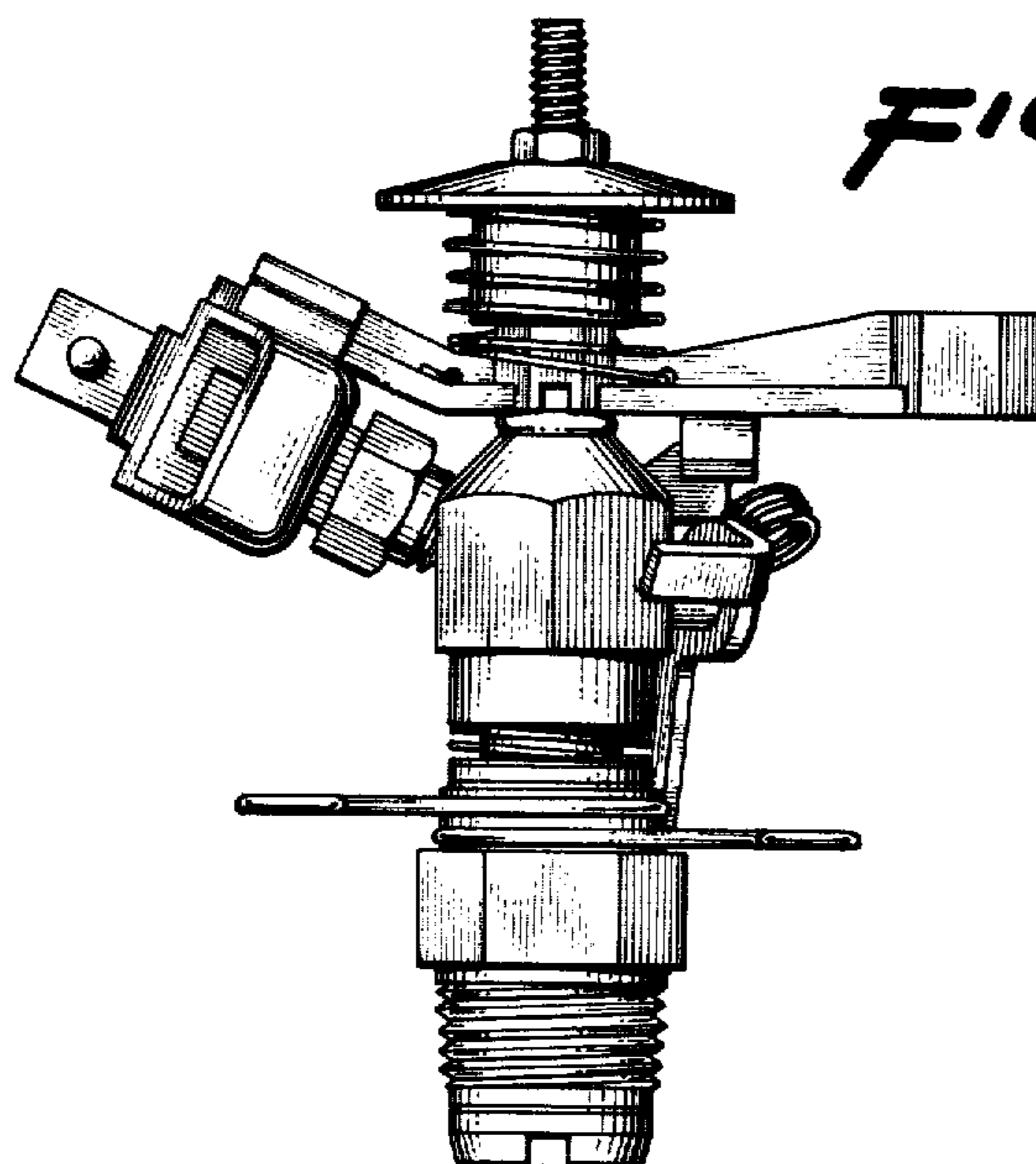


FIG. 4

FIG. 6

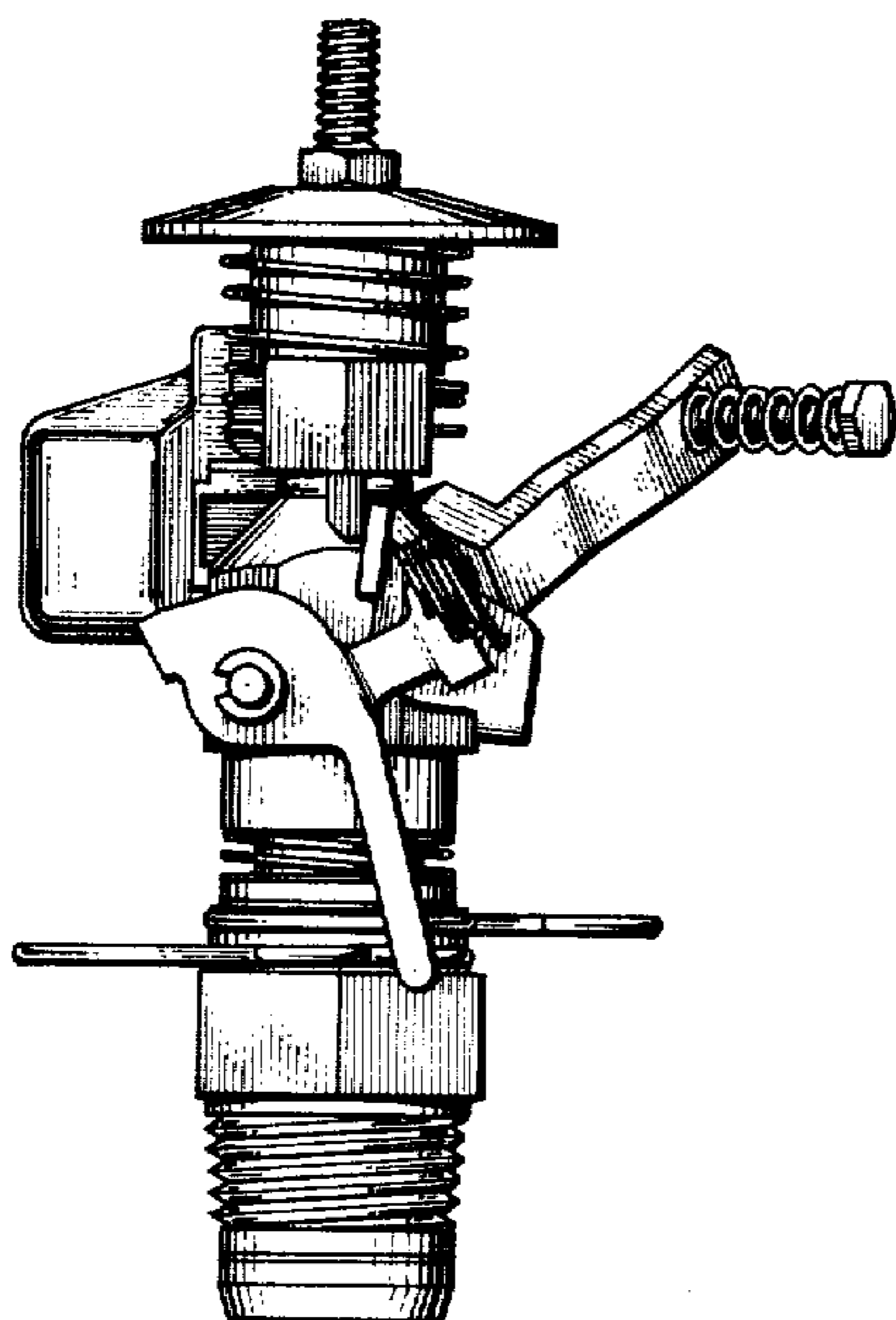


FIG. 5

