

[54] **MOLE TRAP**

[76] **Inventor:** Henry F. Gaines, 6430 E. Berwyn St., Indianapolis, Ind. 46203

[**] **Term:** 14 Years

[21] **Appl. No.:** 268,650

[22] **Filed:** Jun. 1, 1981

[51] **Int. Cl.** D22-06
[52] **U.S. Cl.** D22/18
[58] **Field of Search** 43/78, 79, 80, 77, 58; D22/18

[56]

References Cited

U.S. PATENT DOCUMENTS

D. 264,867	6/1982	Barker	D22/18
1,330,622	2/1920	Corsaw	43/80
1,918,582	7/1933	Alvau	43/80
2,086,826	7/1937	Smith	43/80
3,013,358	12/1961	Wilken	43/80

Primary Examiner—A. Hugo Word

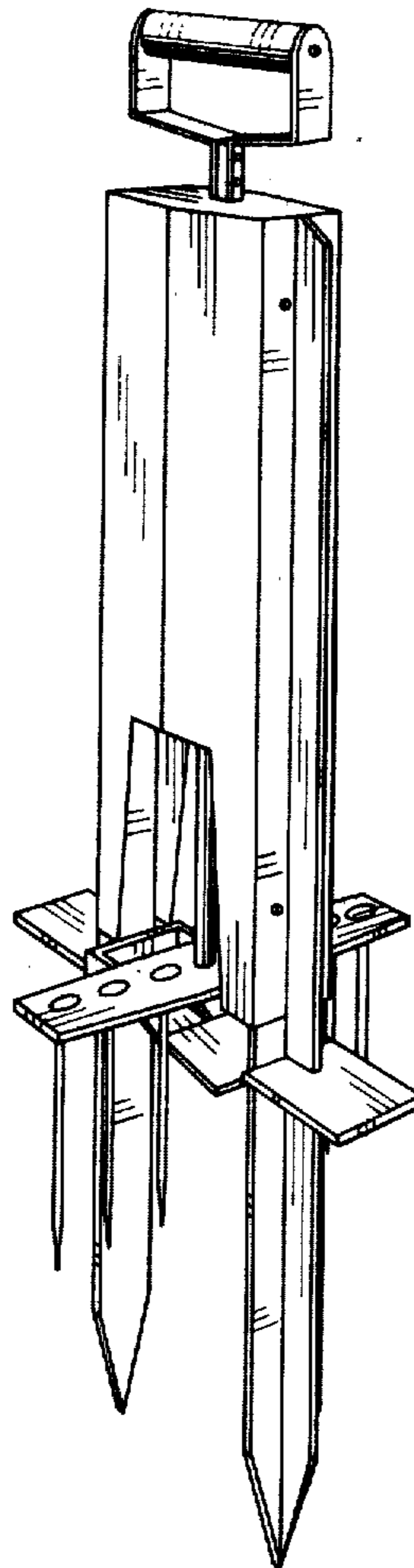
[57]

CLAIM

The ornamental design for a mole trap, as shown.

DESCRIPTION

FIG. 1 is a perspective view of the invention.
FIG. 2 is a plan of the invention.
FIG. 3 is a front view, or elevation of the invention.
FIG. 4 is a back view, or elevation of the invention.
FIG. 5 is a left side view, or elevation of the invention.
FIG. 6 is right side view, or elevation of the invention.



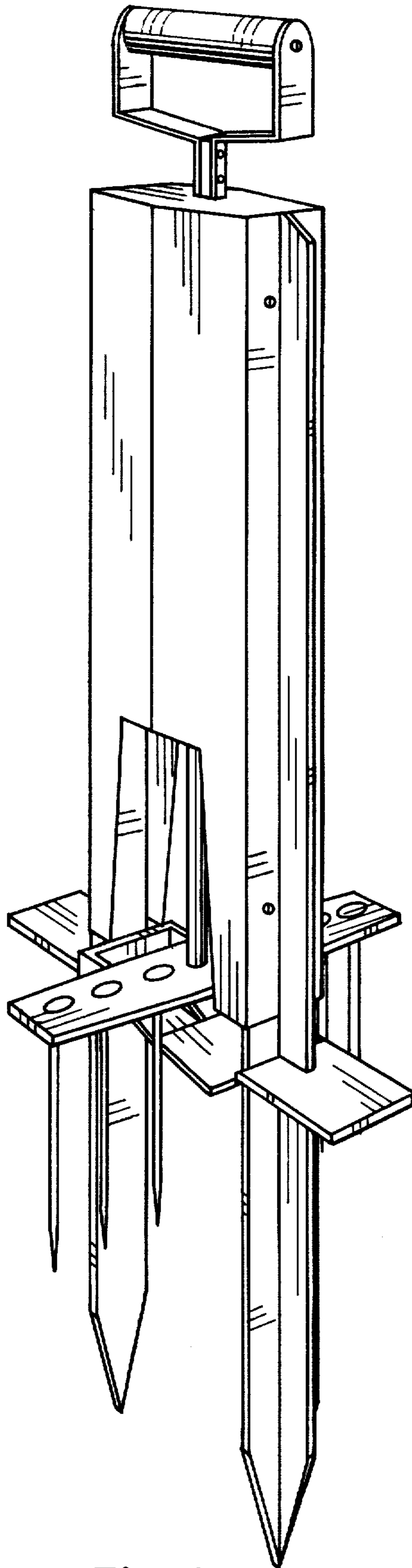


Fig. 1

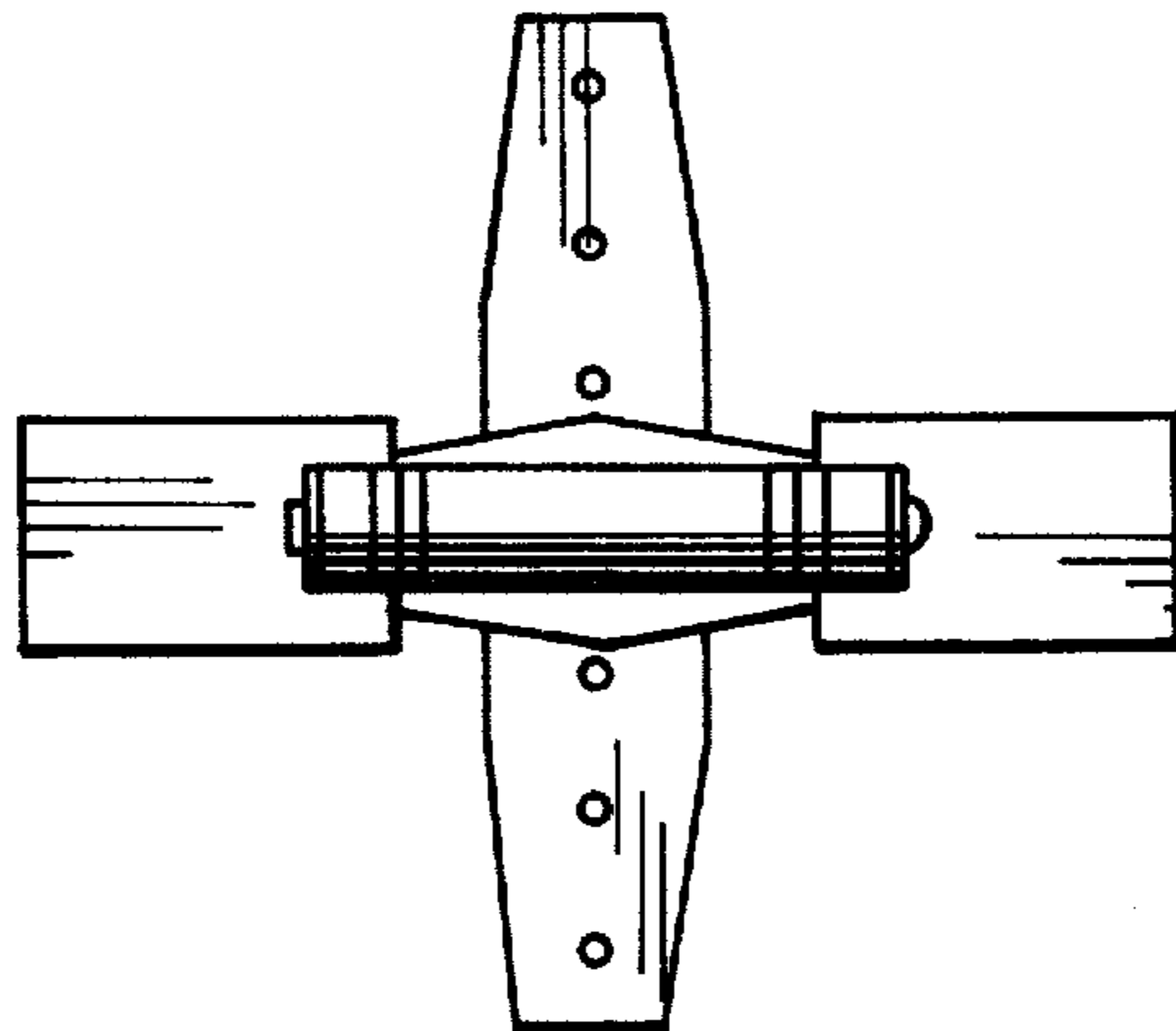


Fig. 2

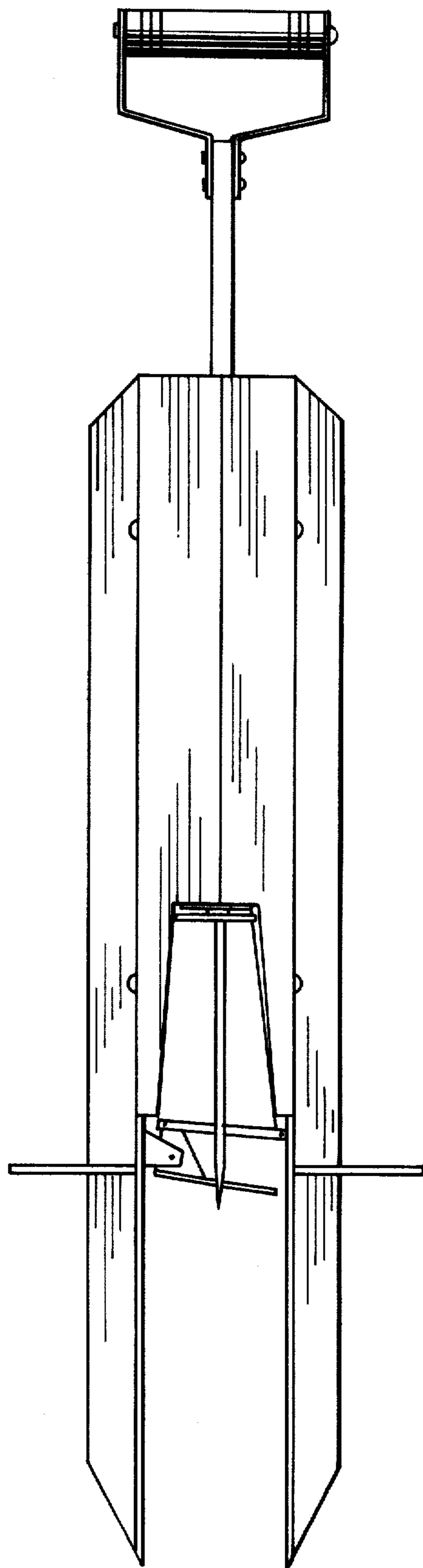


Fig. 3

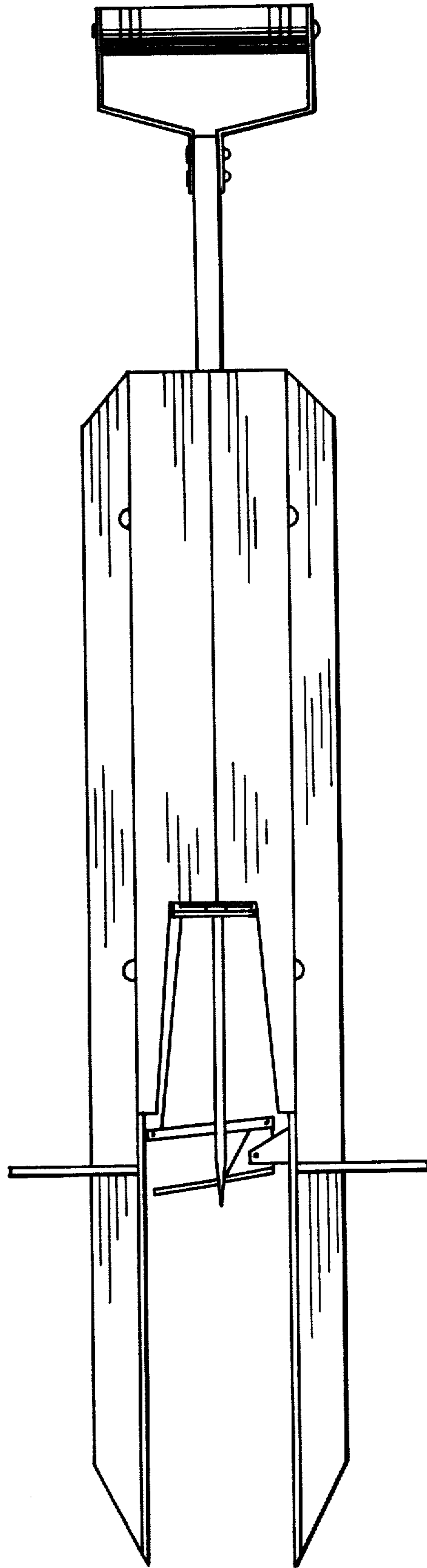


Fig. 4

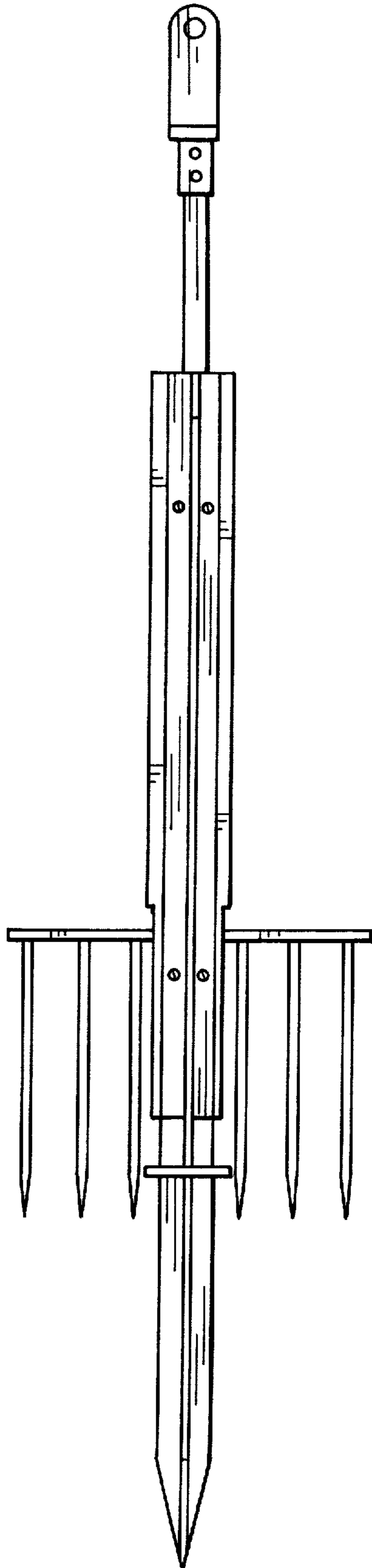


Fig. 5

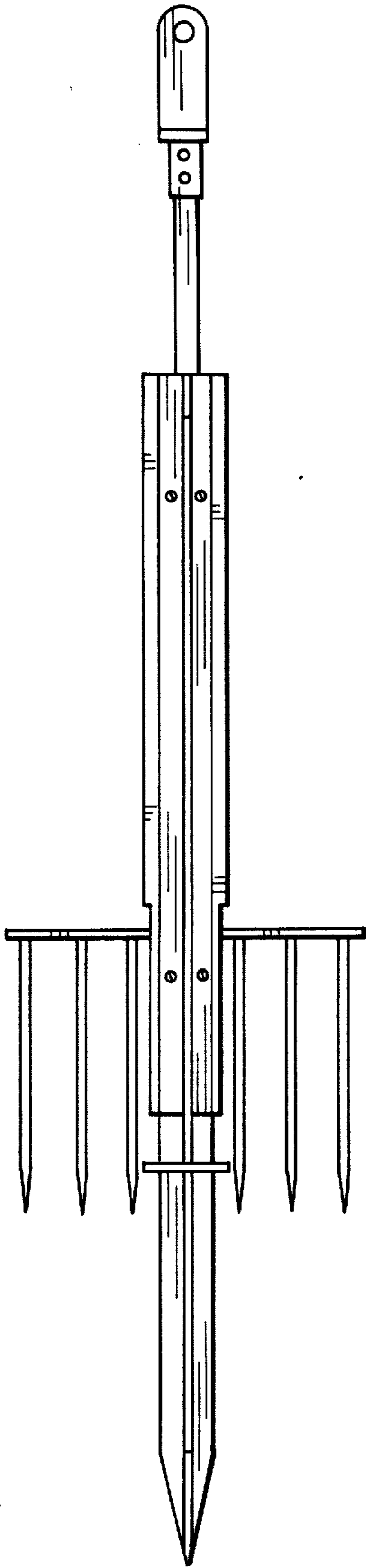


Fig. 6