

[54] SCOPE MOUNT FOR A PISTOL

3,222,022 12/1965 Akin, Jr. .... 248/205.1  
3,724,800 4/1973 Rubin et al. .... 248/205.1

[76] Inventor: Daniel L. Bechtel, P.O. Box 11281,  
Forth Worth, Tex. 76109

Primary Examiner—A. Hugo Word  
Attorney, Agent, or Firm—Charles W. McHugh

[\*\*] Term: 14 Years

[57] CLAIM

[21] Appl. No.: 240,590

The ornamental design for a scope mount for a pistol, as shown and described.

[22] Filed: Mar. 4, 1981

DESCRIPTION

[51] Int. Cl. .... D22—05

[52] U.S. Cl. .... D22/7

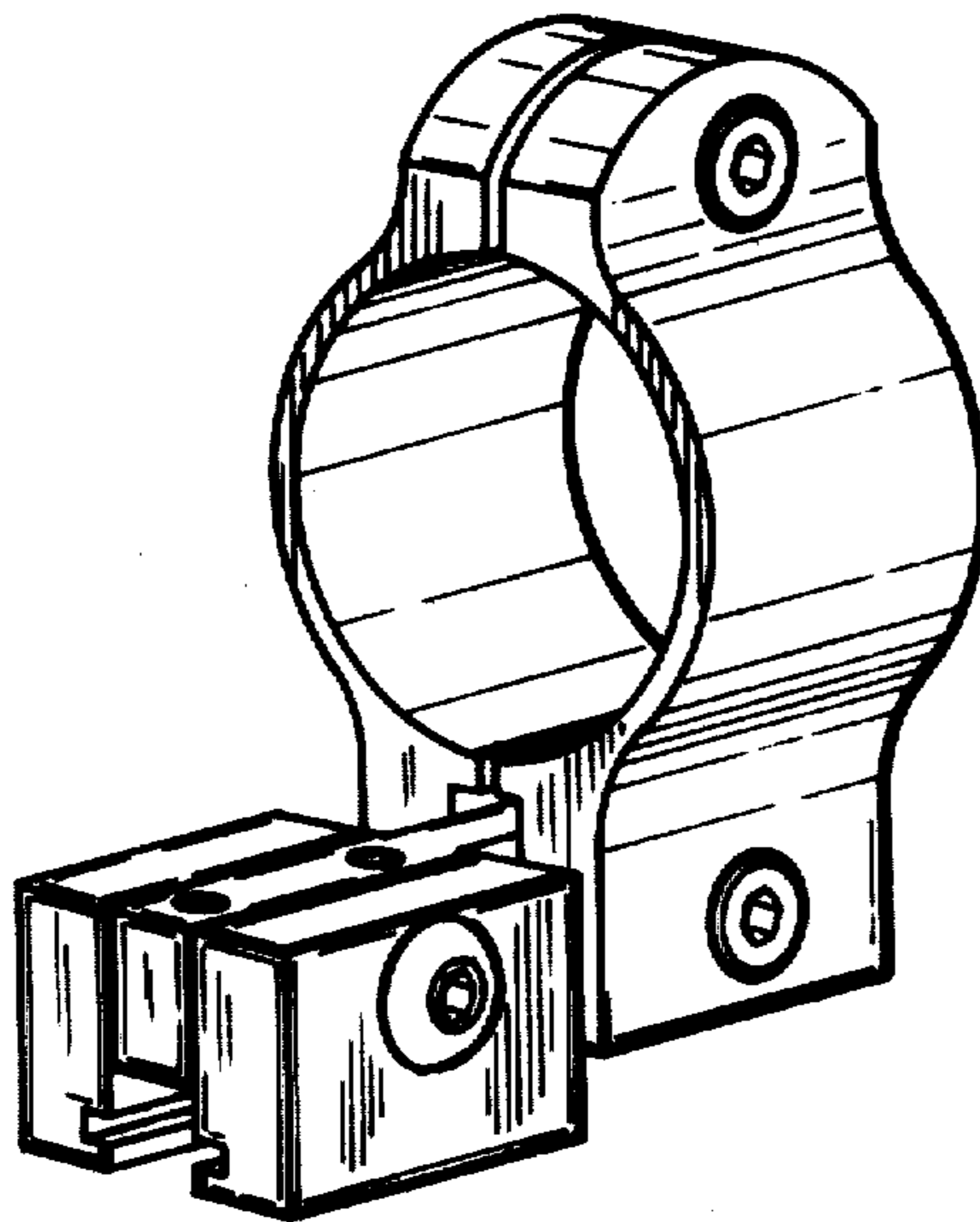
[58] Field of Search .... D22/7; 248/205.1;  
33/259

FIG. 1 is perspective view of the new scope mount for a pistol, showing my new design;  
FIG. 2 is a rear elevational view thereof;  
FIG. 3 is a front elevational view thereof;  
FIGS. 4 and 5 are elevational side views thereof, with the two views differing only in which end of a connecting bolt is visible;  
FIG. 6 is a top view thereof; and  
FIG. 7 is a bottom view thereof.

[56] References Cited

U.S. PATENT DOCUMENTS

D. 246,983 1/1978 Bechtel .... D22/7  
D. 251,672 4/1979 Bechtel .... D22/7



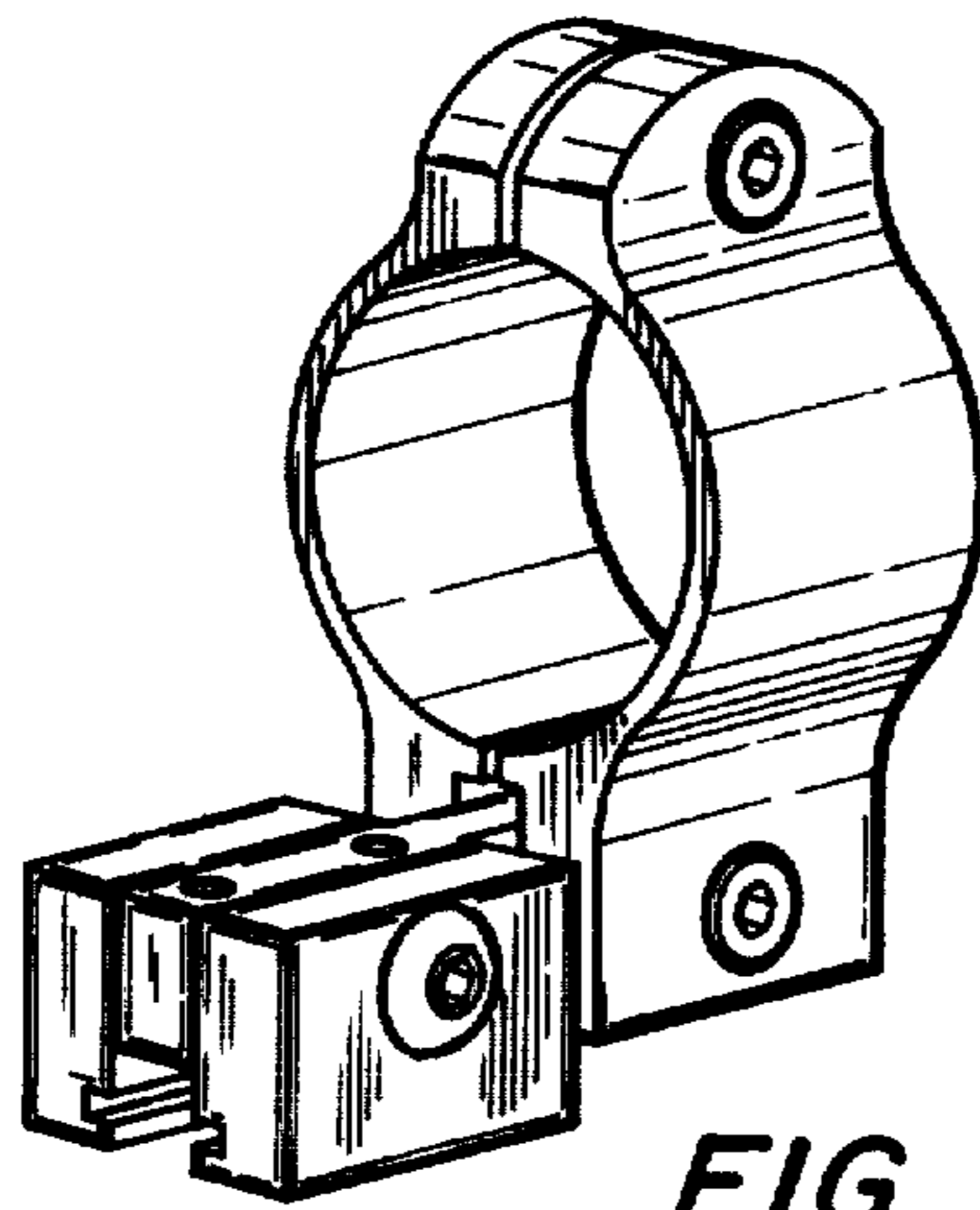


FIG. 1

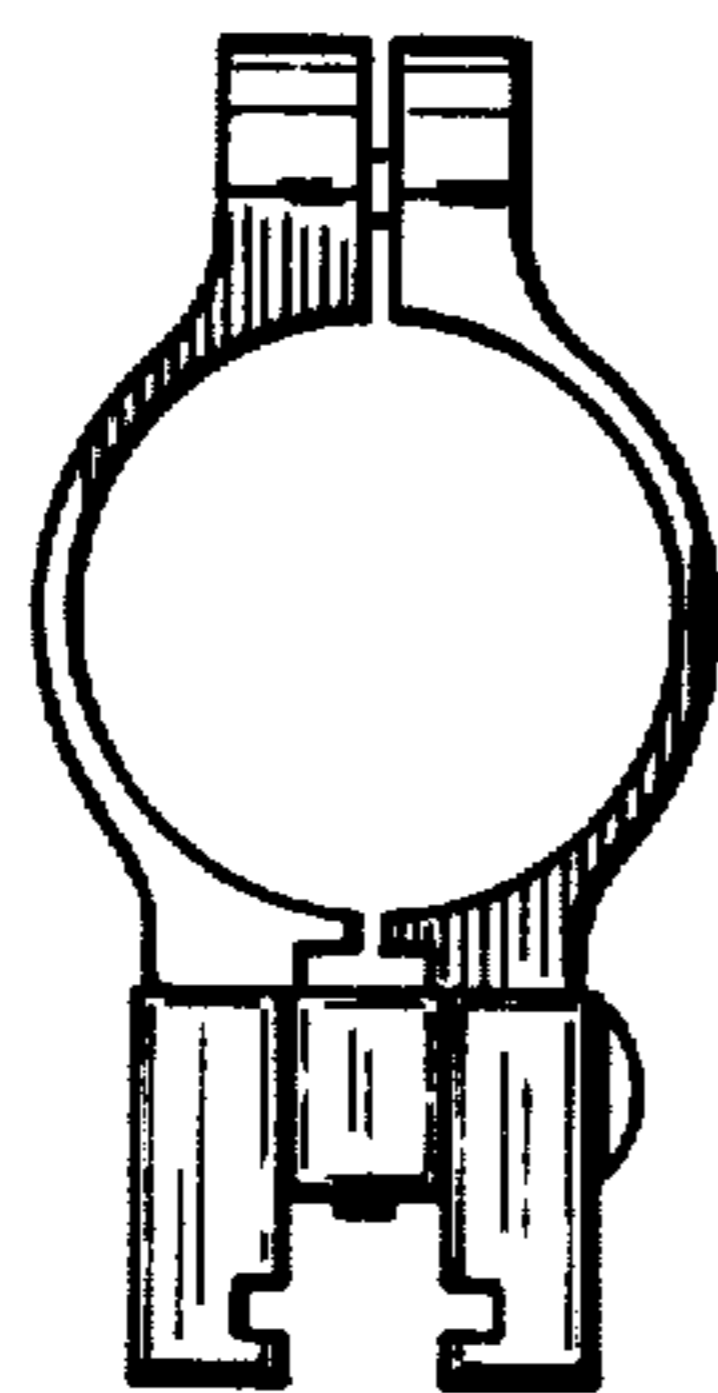


FIG. 2

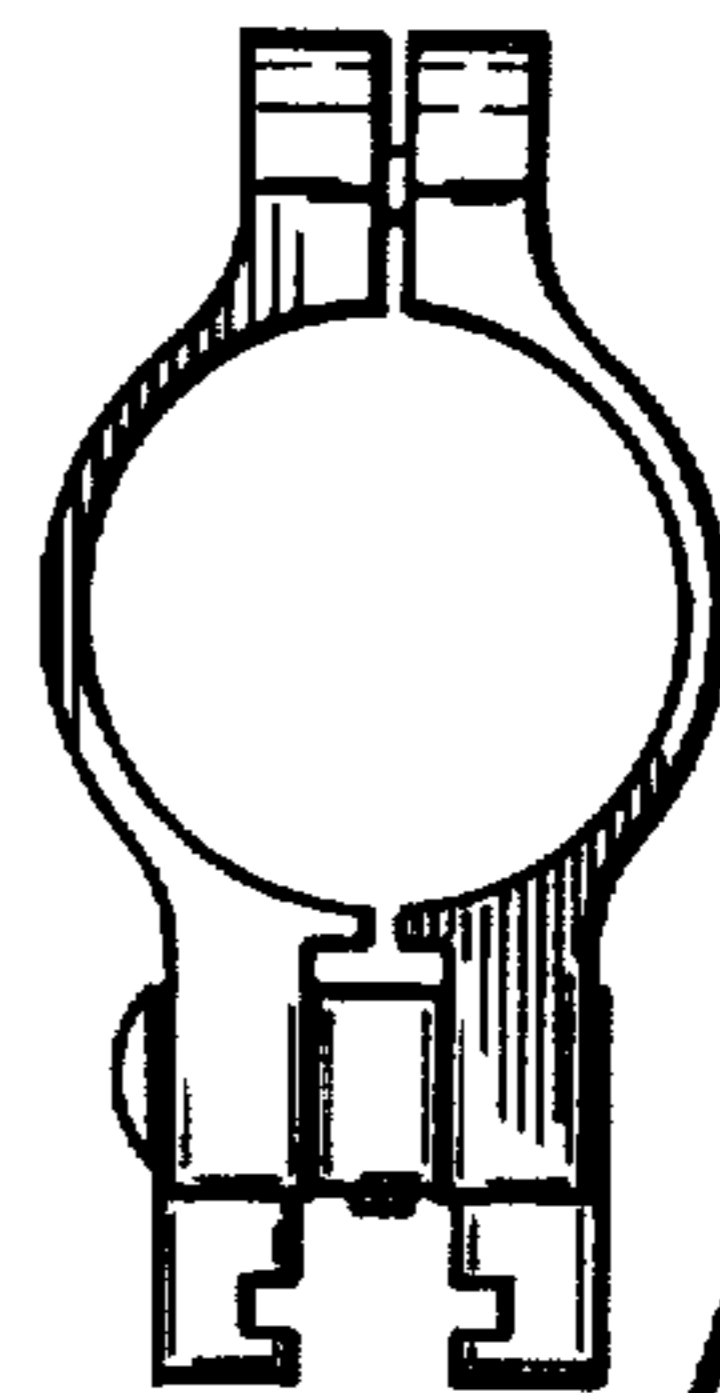


FIG. 3

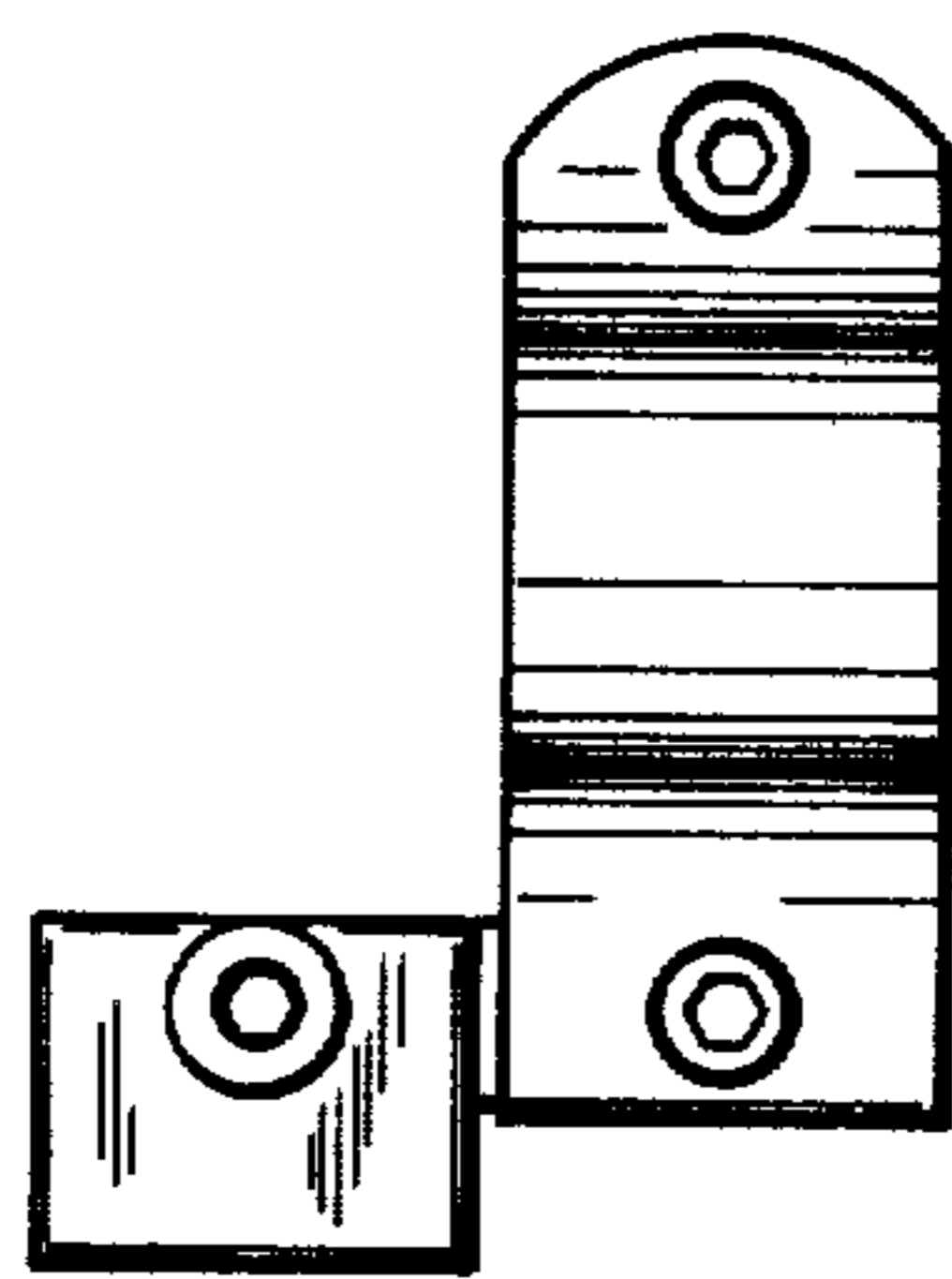


FIG. 4

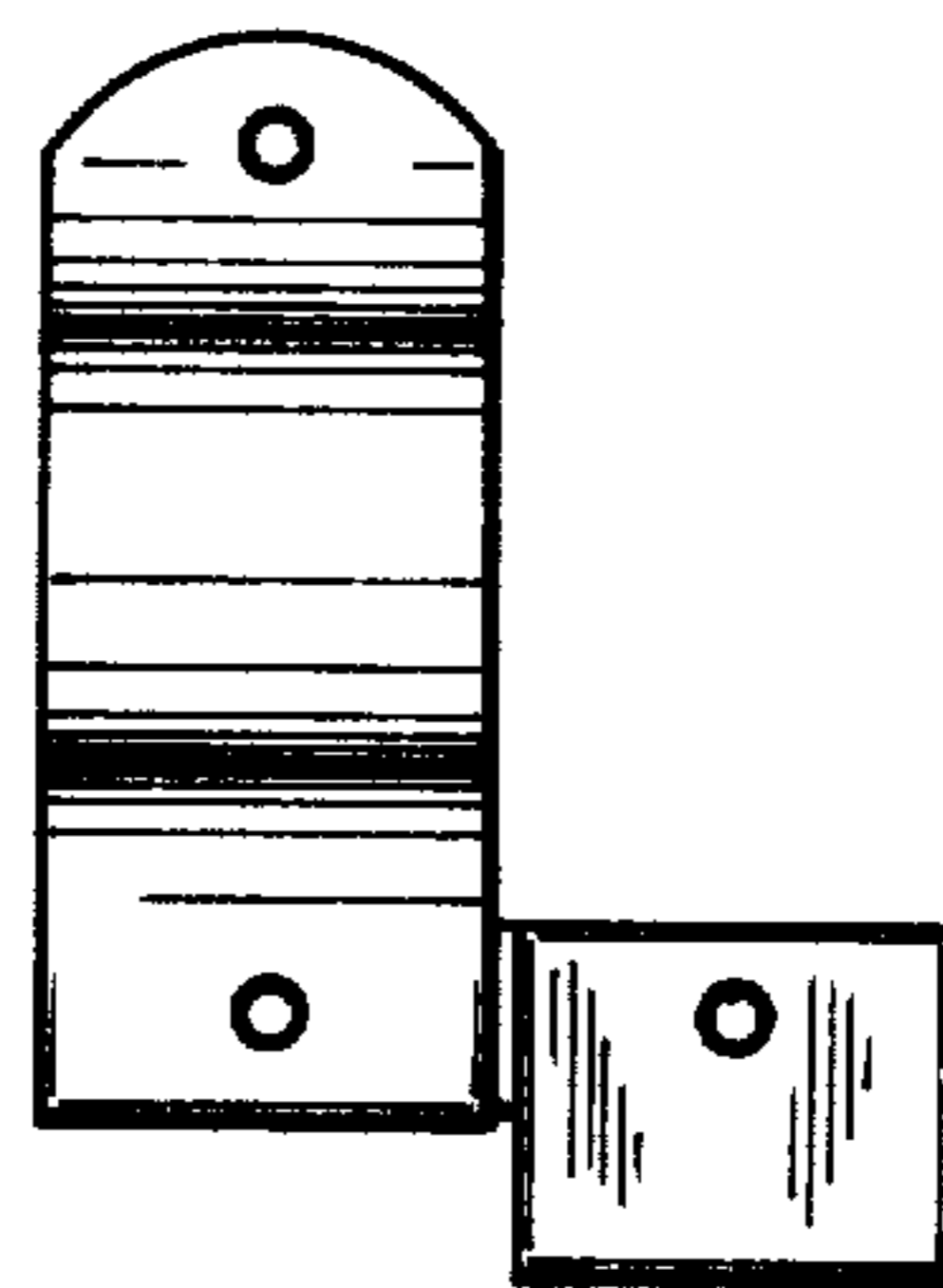


FIG. 5

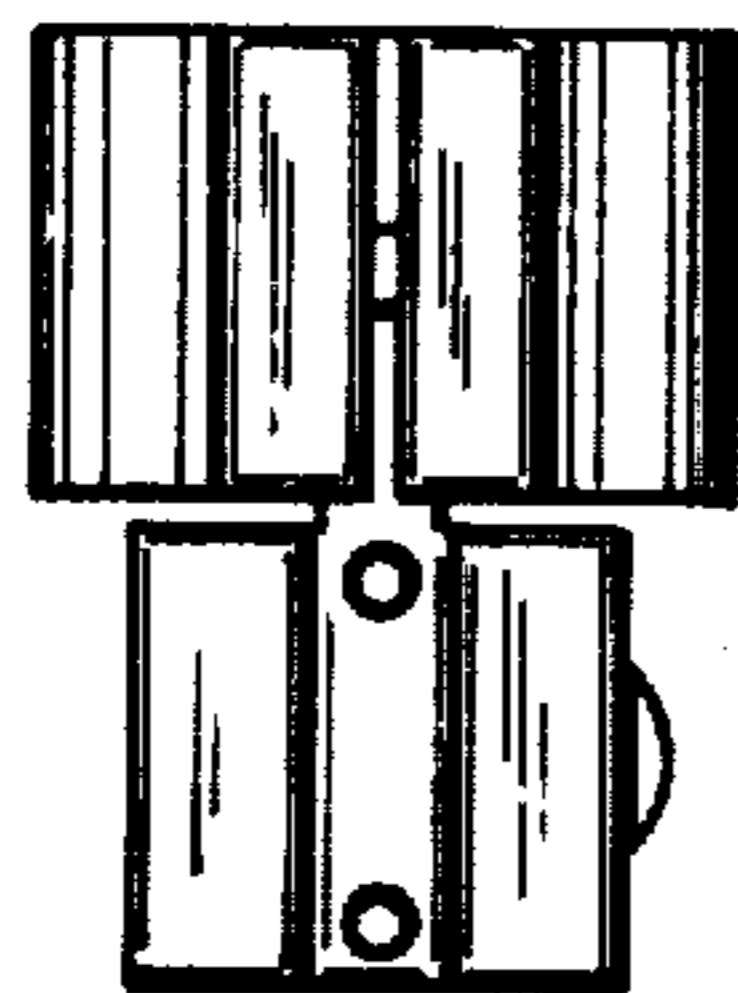


FIG. 6

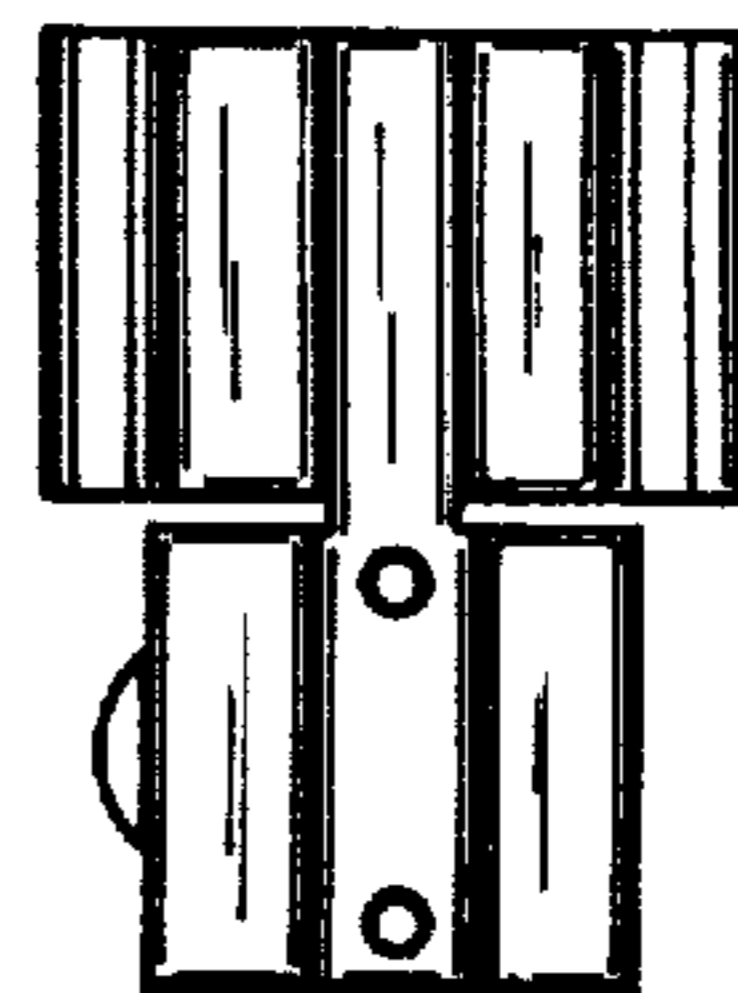


FIG. 7