

[54] DRUM LUG

[75] Inventor: Fred A. Hoey, San Antonio, Tex.

[73] Assignee: C. Bruno & Son, Inc., San Antonio, Tex.

[**] Term: 14 Years

[21] Appl. No.: 256,556

[22] Filed: Apr. 22, 1981

[51] Int. Cl. D17-04

[52] U.S. Cl. D17/22

[58] Field of Search D17/22; 84/413, 411 R

[56] References Cited

U.S. PATENT DOCUMENTS

609,068 8/1898 Zeidler 84/411 R
4,122,747 10/1978 Yamashita 84/413 X

OTHER PUBLICATIONS

Camco Drum Co., Oaklawn, Ill., Cat., p. 33, Items No's. 846 and 848.

Primary Examiner—Jane E. Corrigan
Attorney, Agent, or Firm—McCormick, Paulding & Huber

CLAIM

The ornamental design for a drum lug, as shown and described.

DESCRIPTION

FIG. 1 is a front, top and right side perspective view of a drum lug showing my new design;
FIG. 2 is a top plan view;
FIG. 3 is a right side elevational view;
FIG. 4 is a front elevational view, the rear being identical;
FIG. 5 is a left side elevational view; and
FIG. 6 is a bottom plan view.

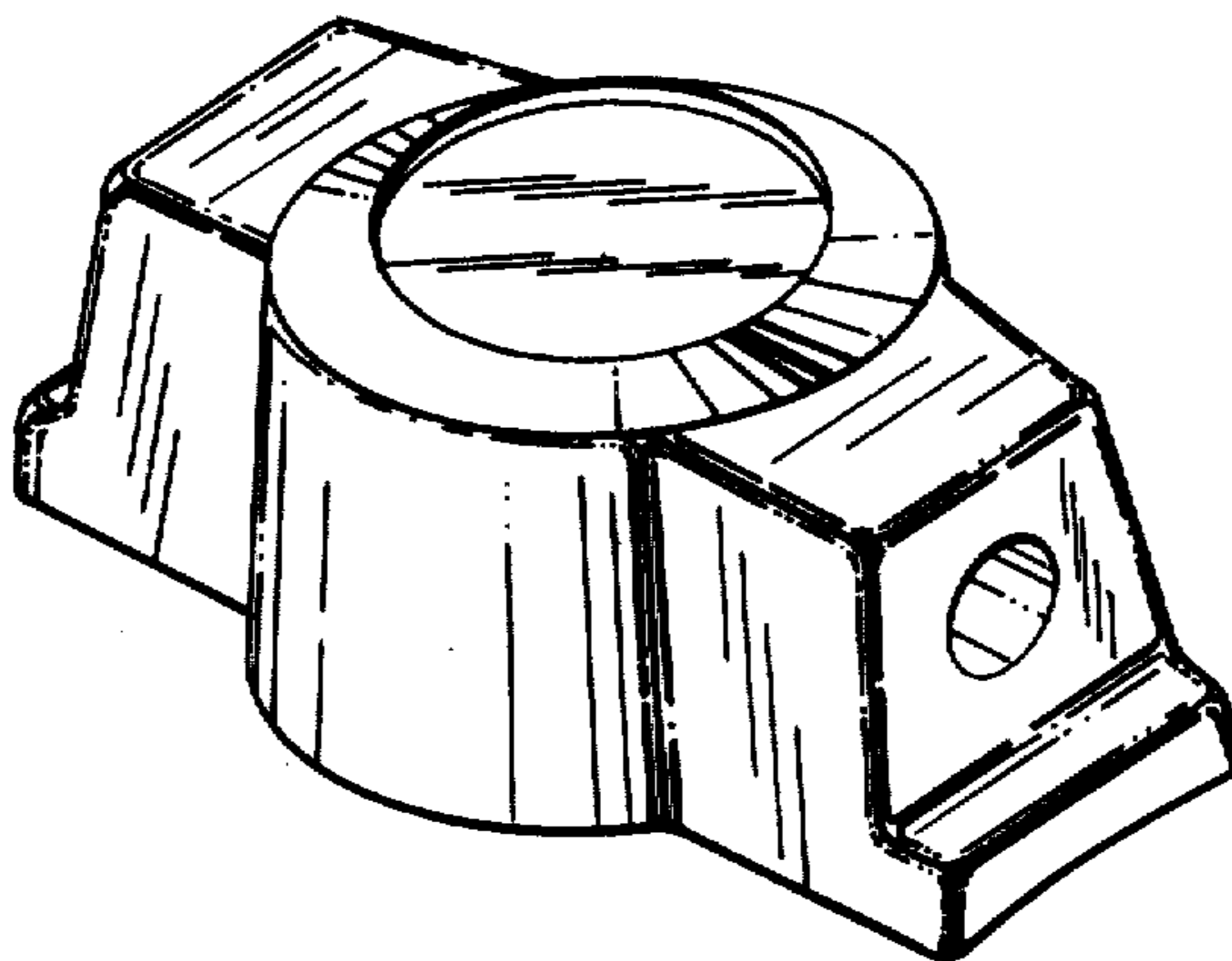


FIG. 1

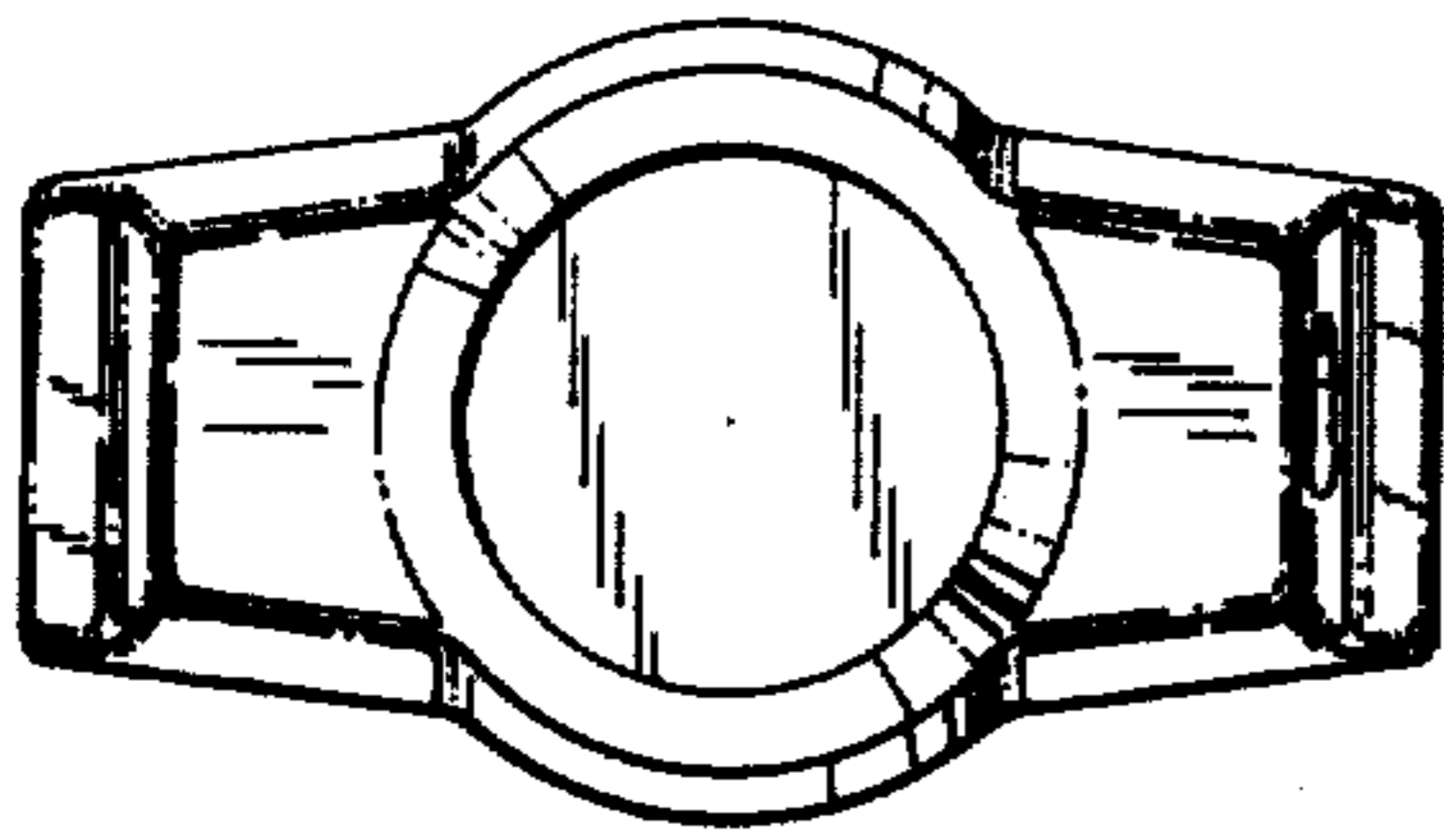
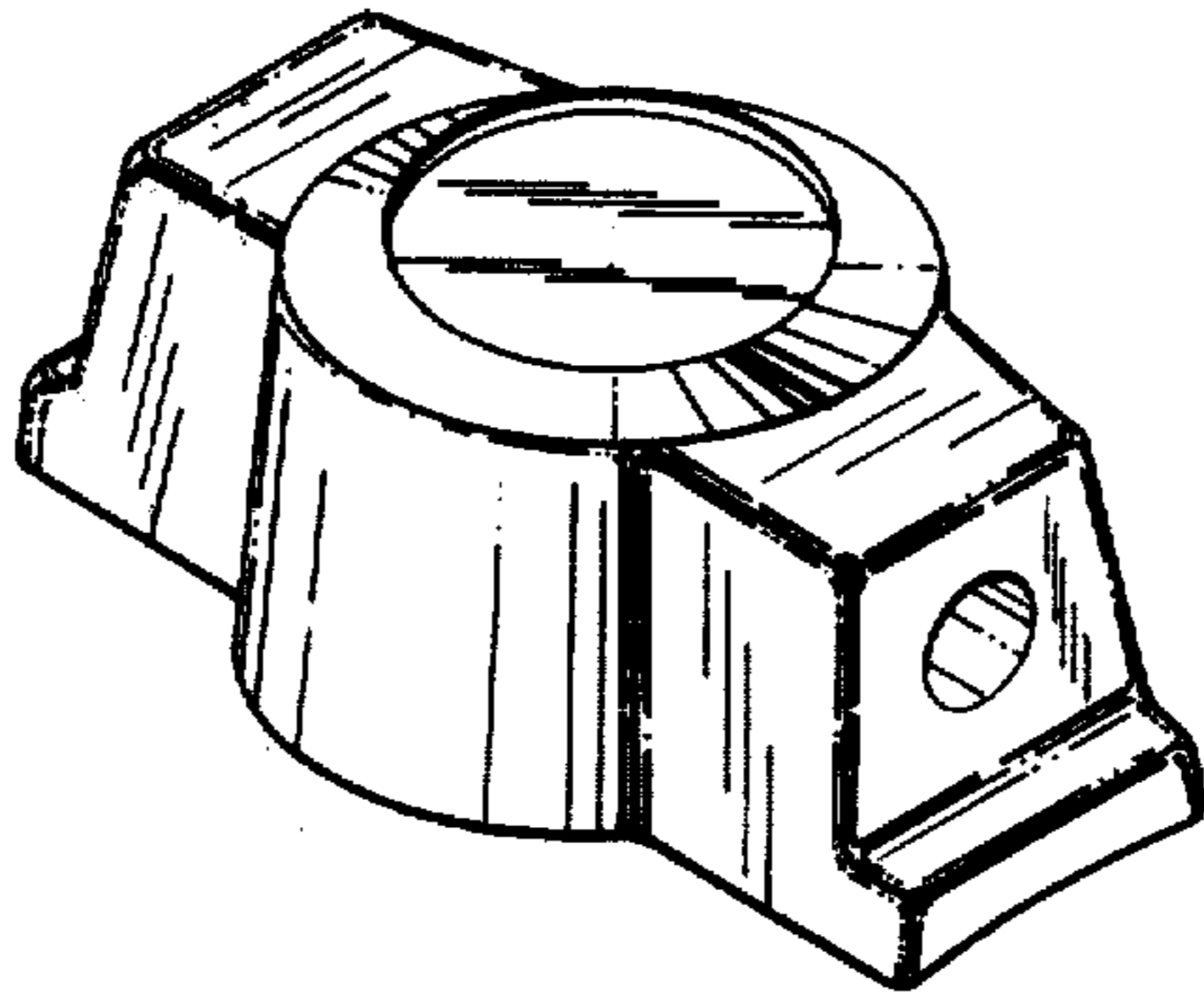


FIG. 2

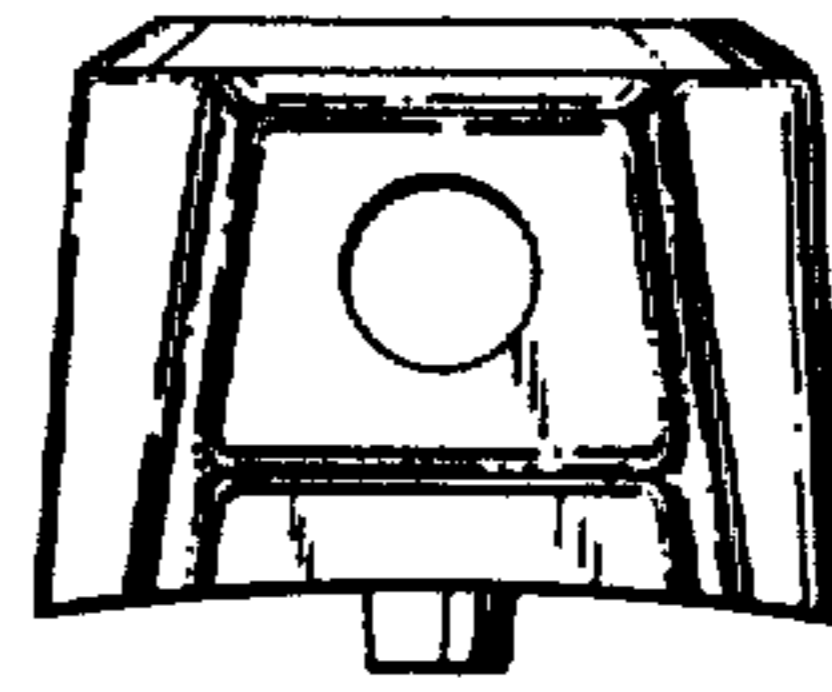


FIG. 3

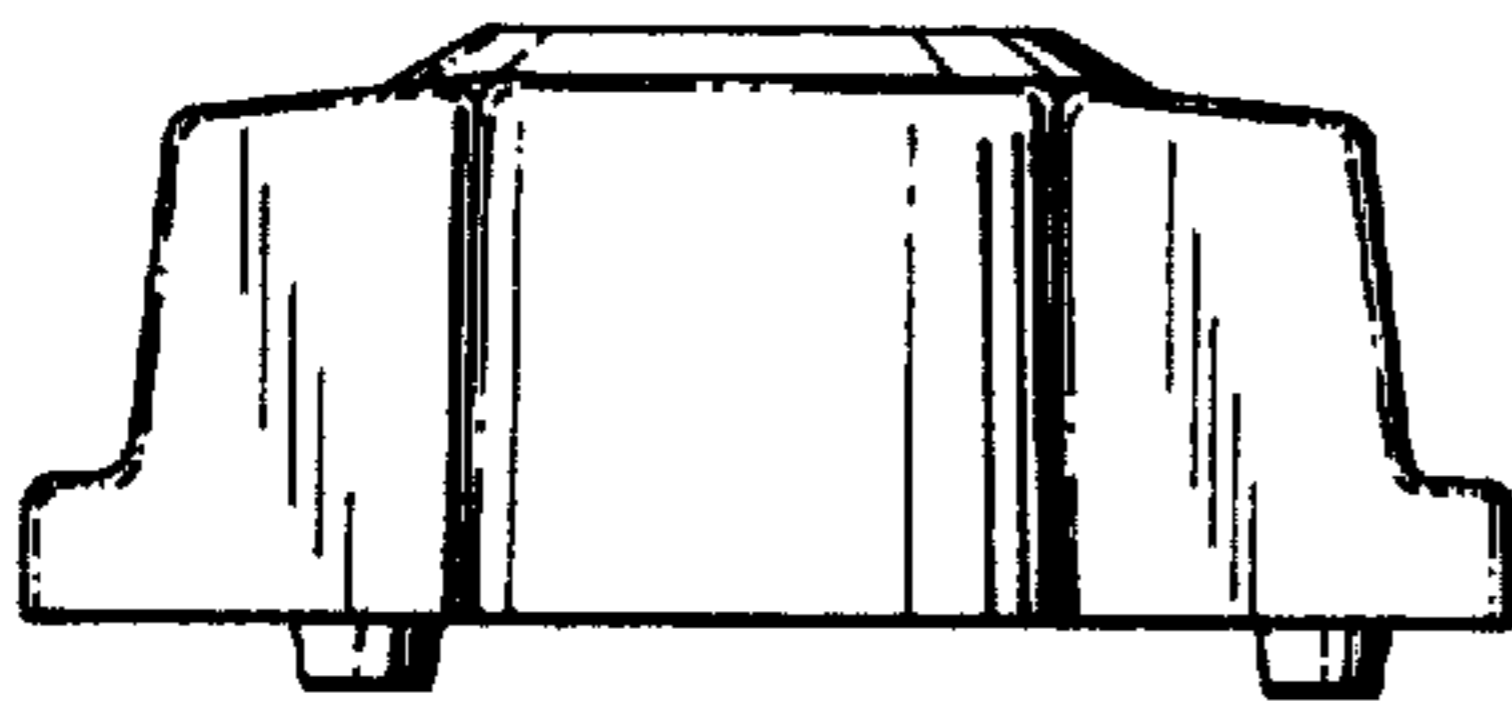


FIG. 4

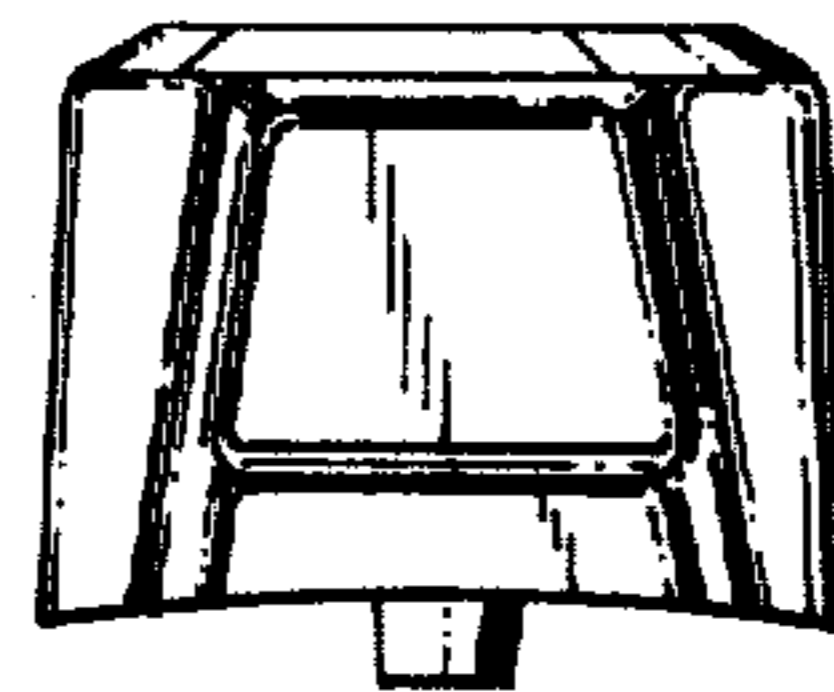


FIG. 5

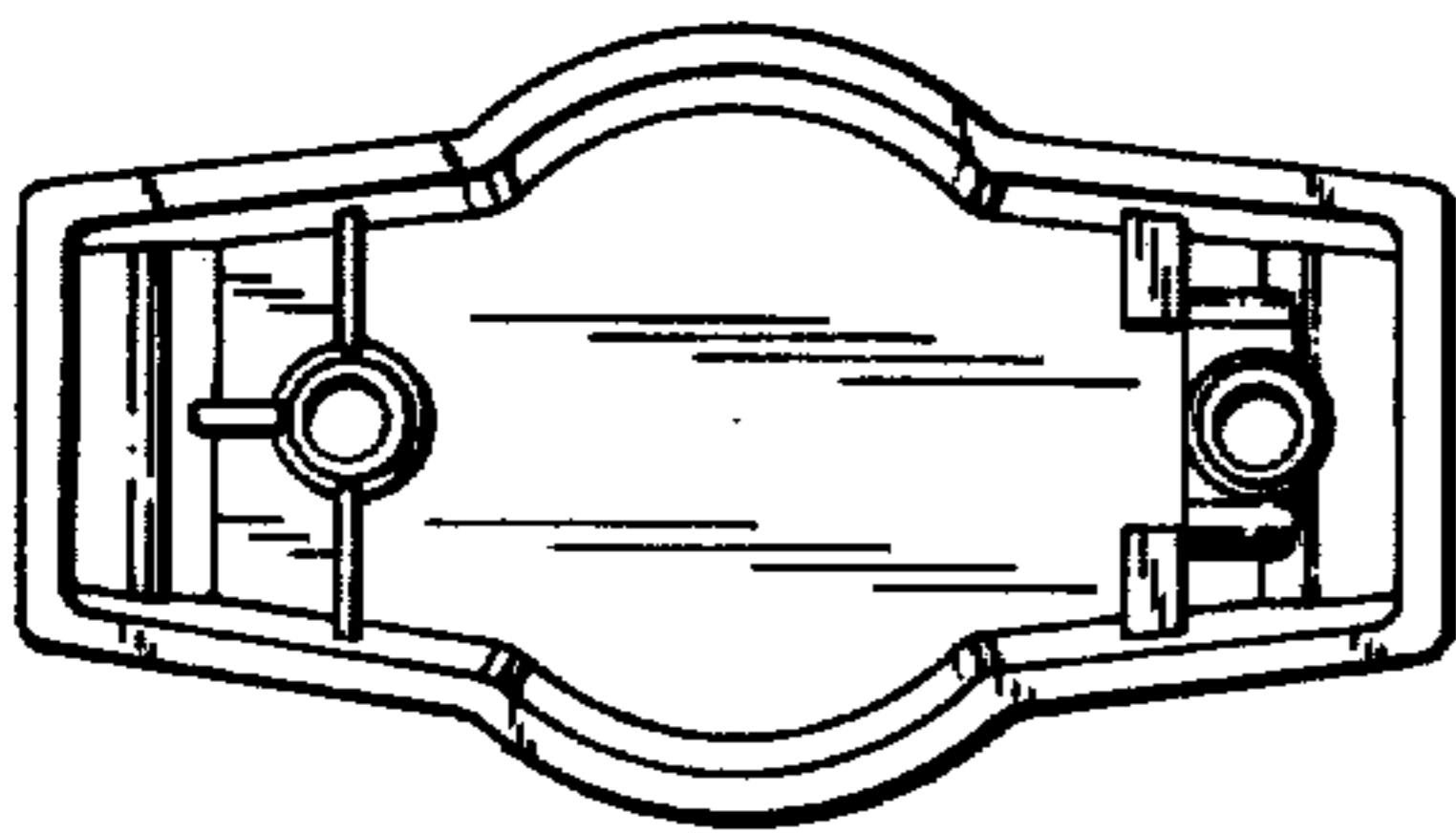


FIG. 6