

United States Patent [19]

Tomatsuri et al.

[11] **Des. 270,166**

[45] **** Aug. 16, 1983**

[54] **BINOCULARS**

[75] Inventors: **Masakazu Tomatsuri, Naka; Hitoshi Suyama, Tokyo, both of Japan**

[73] Assignee: **Nippon Kogaku K.K., Tokyo, Japan**

[**] Term: **14 Years**

[21] Appl. No.: **230,345**

[22] Filed: **Jan. 30, 1981**

[30] **Foreign Application Priority Data**

Aug. 18, 1980 [JP] Japan 55-33668

[51] Int. Cl. **D16-06**

[52] U.S. Cl. **D16/133**

[58] Field of Search **D16/133; 350/36, 70, 350/76, 307, 146, 51**

[56] **References Cited**

U.S. PATENT DOCUMENTS

D. 240,458 7/1976 Takahashi et al. D16/133
D. 242,243 11/1976 Takahashi et al. D16/133
3,014,405 12/1961 Swikart 350/146
3,604,779 9/1971 Reinhold 350/75

Primary Examiner—Bernard Ansher
Attorney, Agent, or Firm—Shapiro and Shapiro

[57] **CLAIM**

The ornamental design for binoculars, as shown and described.

DESCRIPTION

FIG. 1 is a front view of the binoculars showing our new design;
FIG. 2 is a rear view thereof;
FIG. 3 is a top plan view thereof;
FIG. 4 is a bottom plan view thereof;
FIG. 5 is a side elevational view as seen from the left of FIG. 1;
FIG. 6 is a side elevational view as seen from the right of FIG. 1.

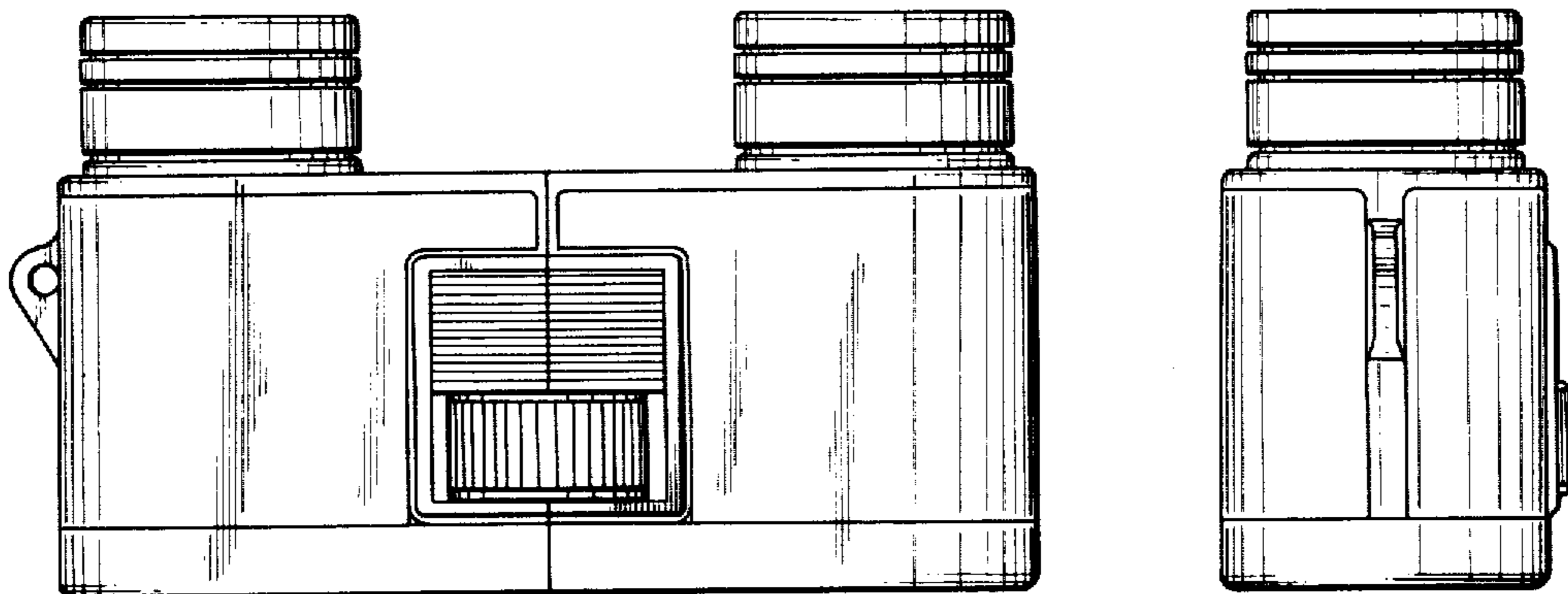


FIG. 1

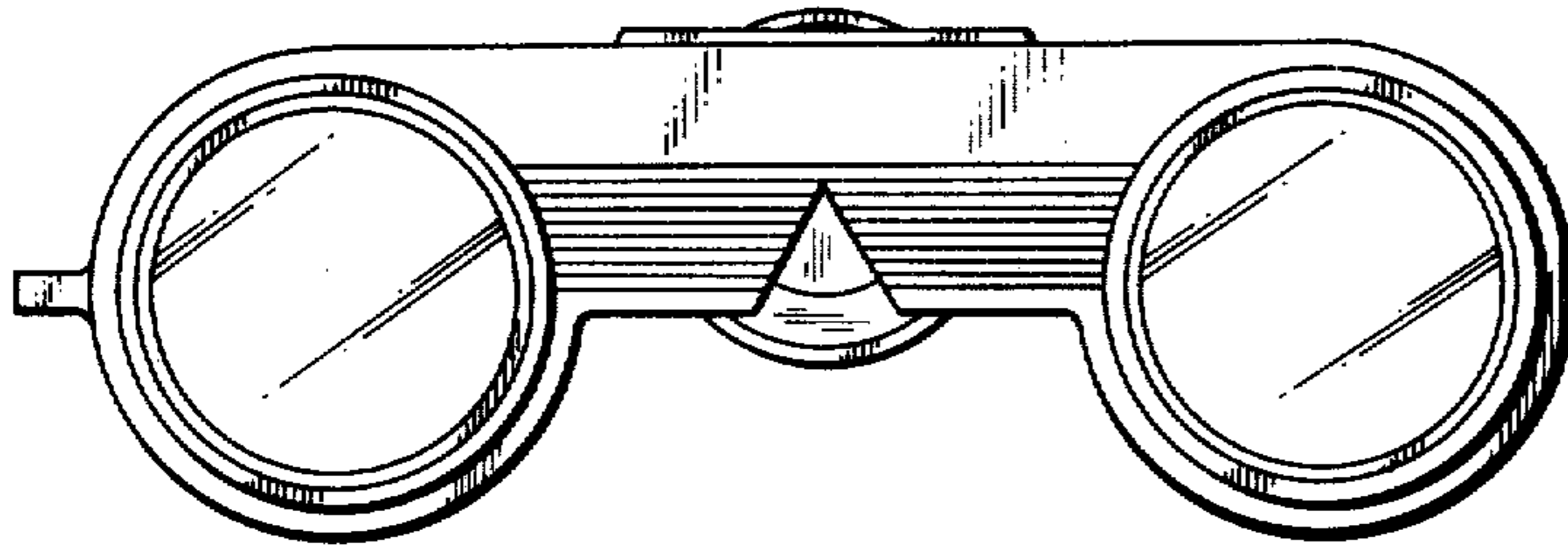


FIG. 2

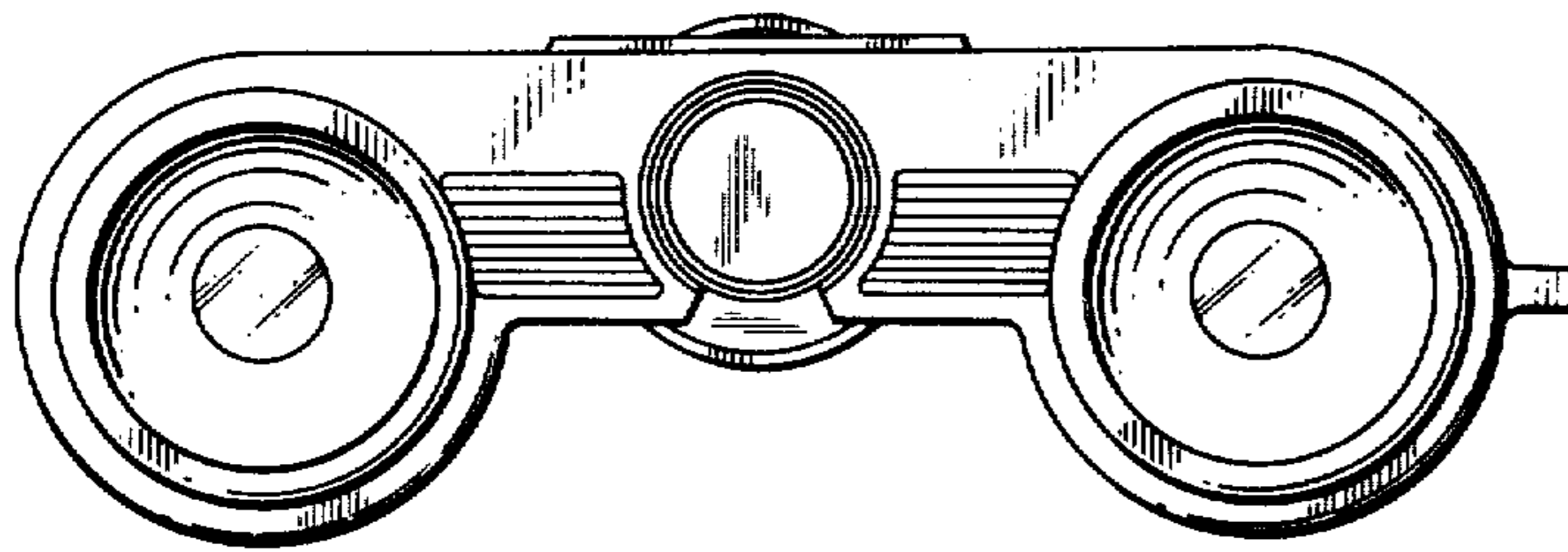


FIG. 3

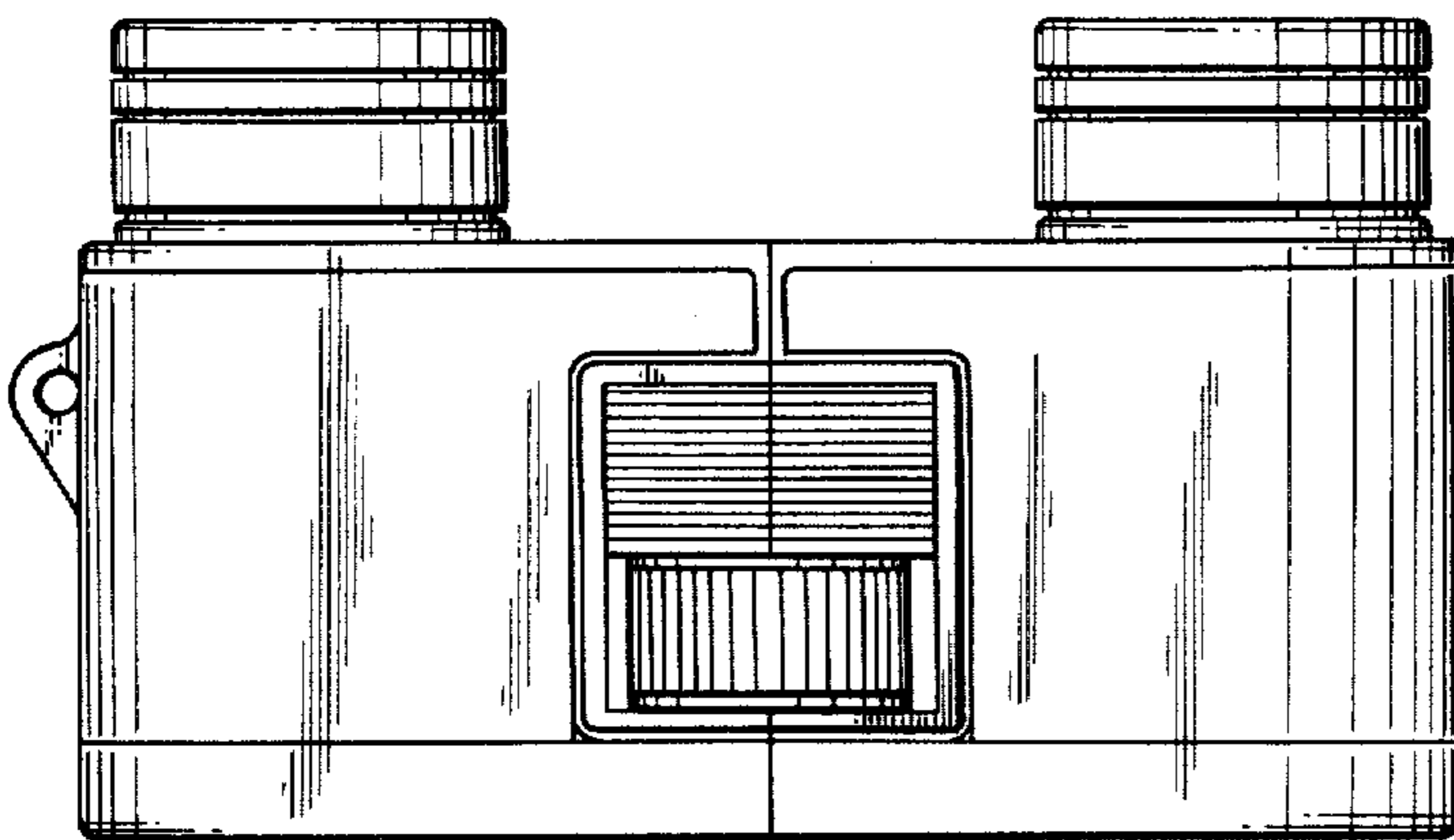


FIG. 4

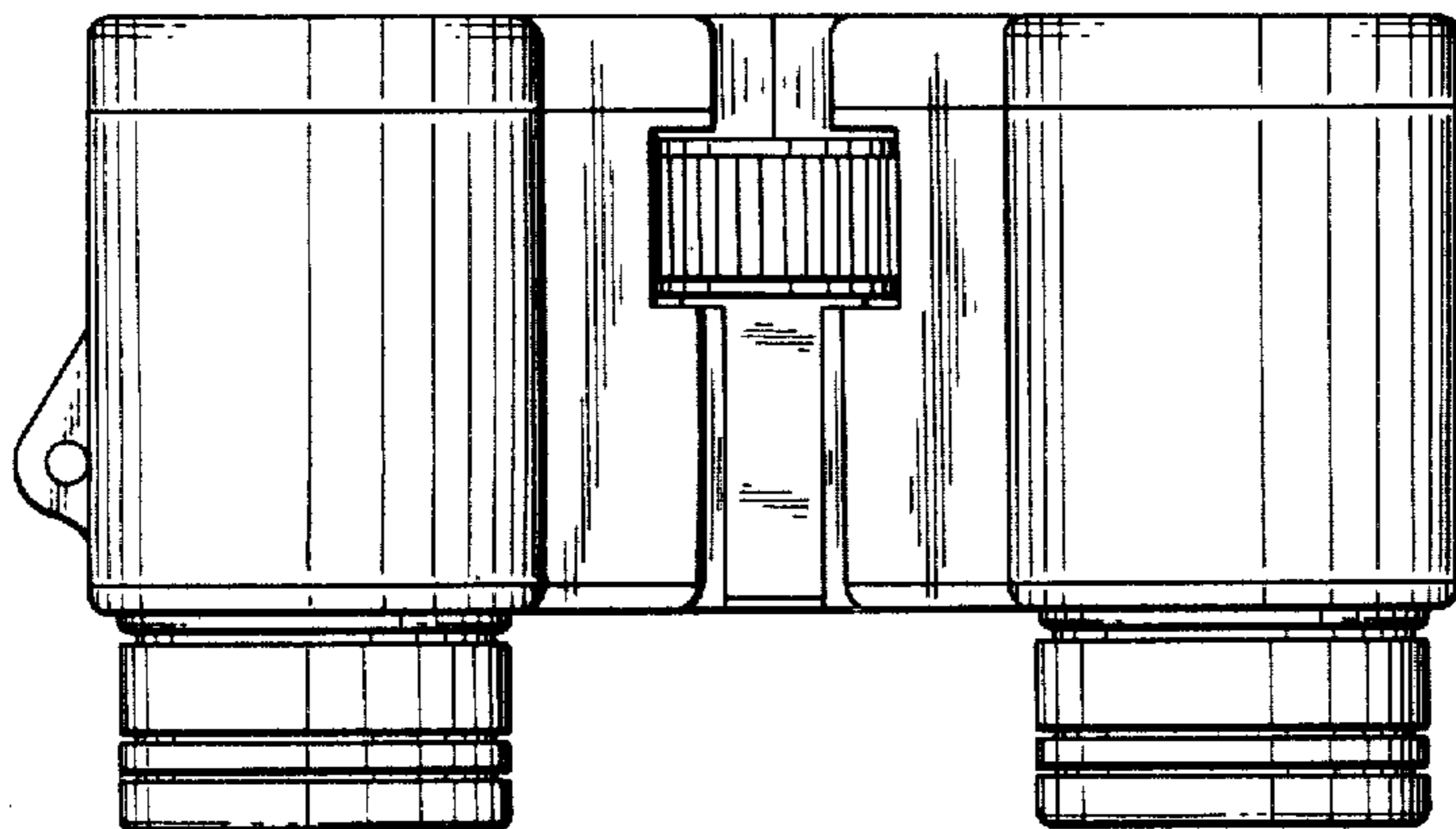


FIG. 5

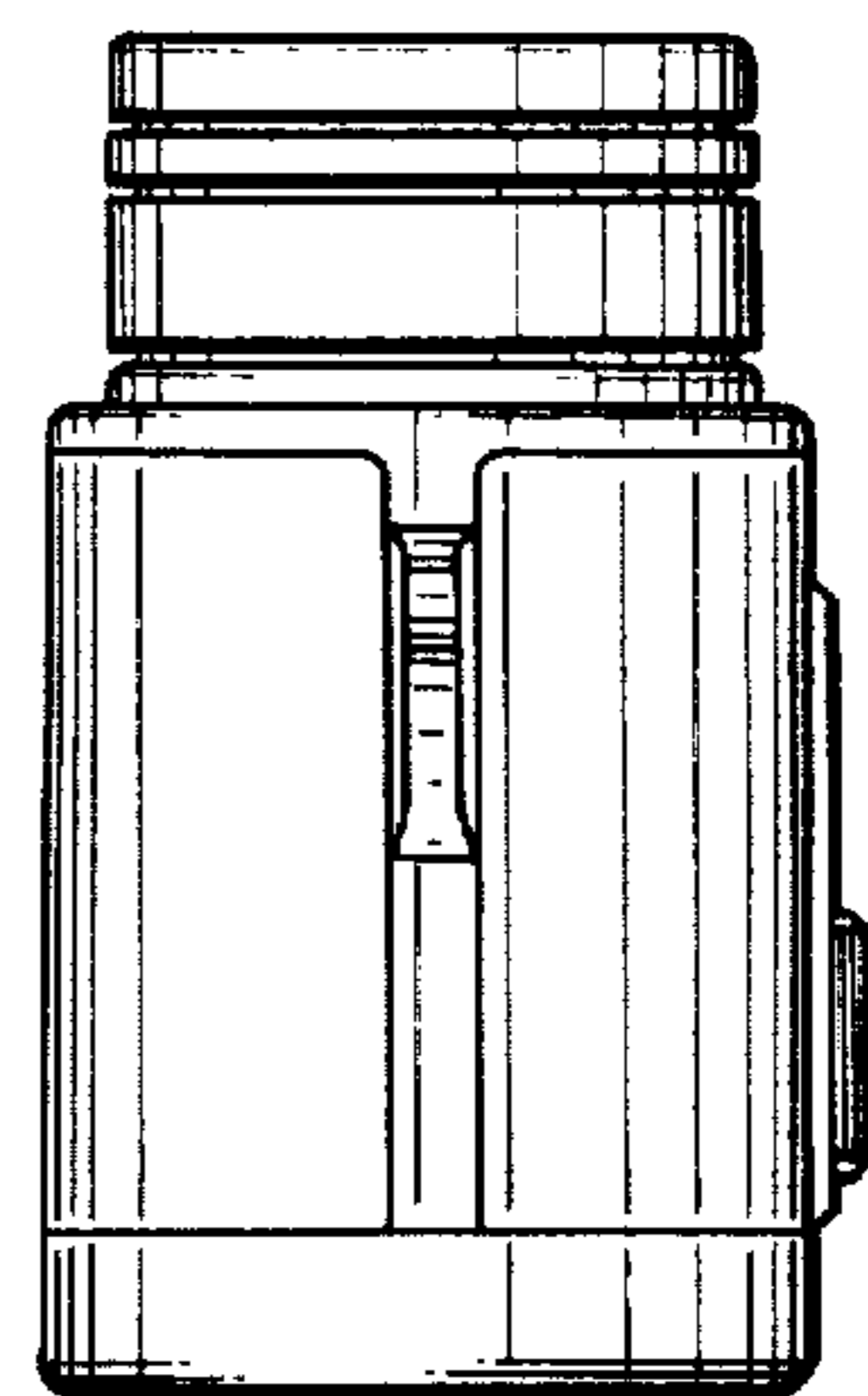


FIG. 6

