

[54] HAND HELD WRAPPING APPARATUS

[76] Inventor: Michael H. Shulman, 45 Bruce Farm Dr., Willowdale, Ontario, Canada

[\*\*] Term: 14 Years

[21] Appl. No.: 255,356

[22] Filed: Apr. 20, 1981

[30] Foreign Application Priority Data

Jan. 8, 1981 [CA] Canada ..... 08-01-81-1

[51] Int. Cl. .... D15-99

[52] U.S. Cl. .... D15/145

[58] Field of Search ..... D15/145; 242/75.4; 53/441, 390, 219, 203, 210, 139.3

[56] References Cited

U.S. PATENT DOCUMENTS

D. 262,887	2/1982	Powell	.....	D15/145
4,102,513	7/1978	Guard	.....	53/390
4,166,589	9/1979	Hoover	.....	53/390

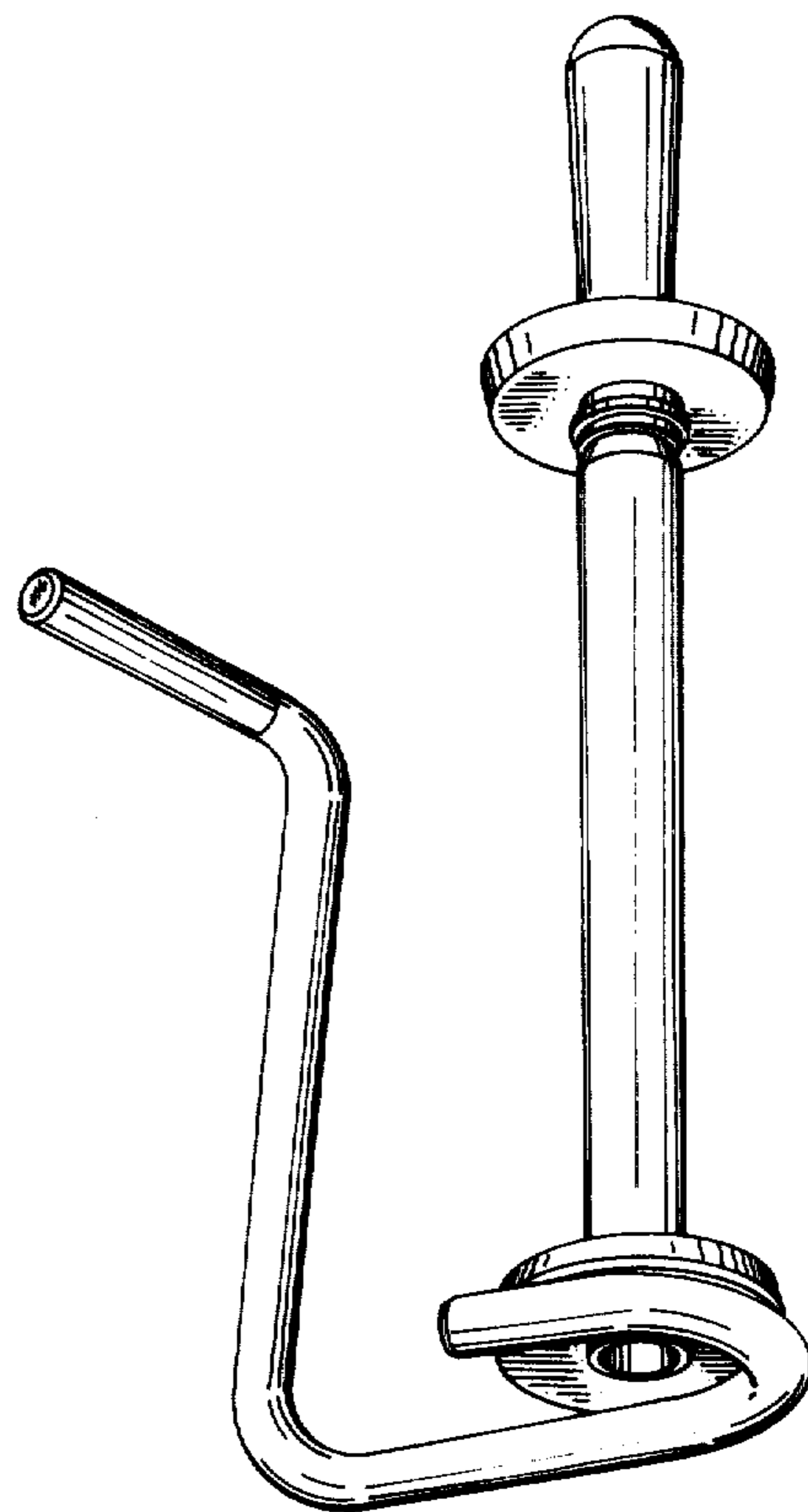
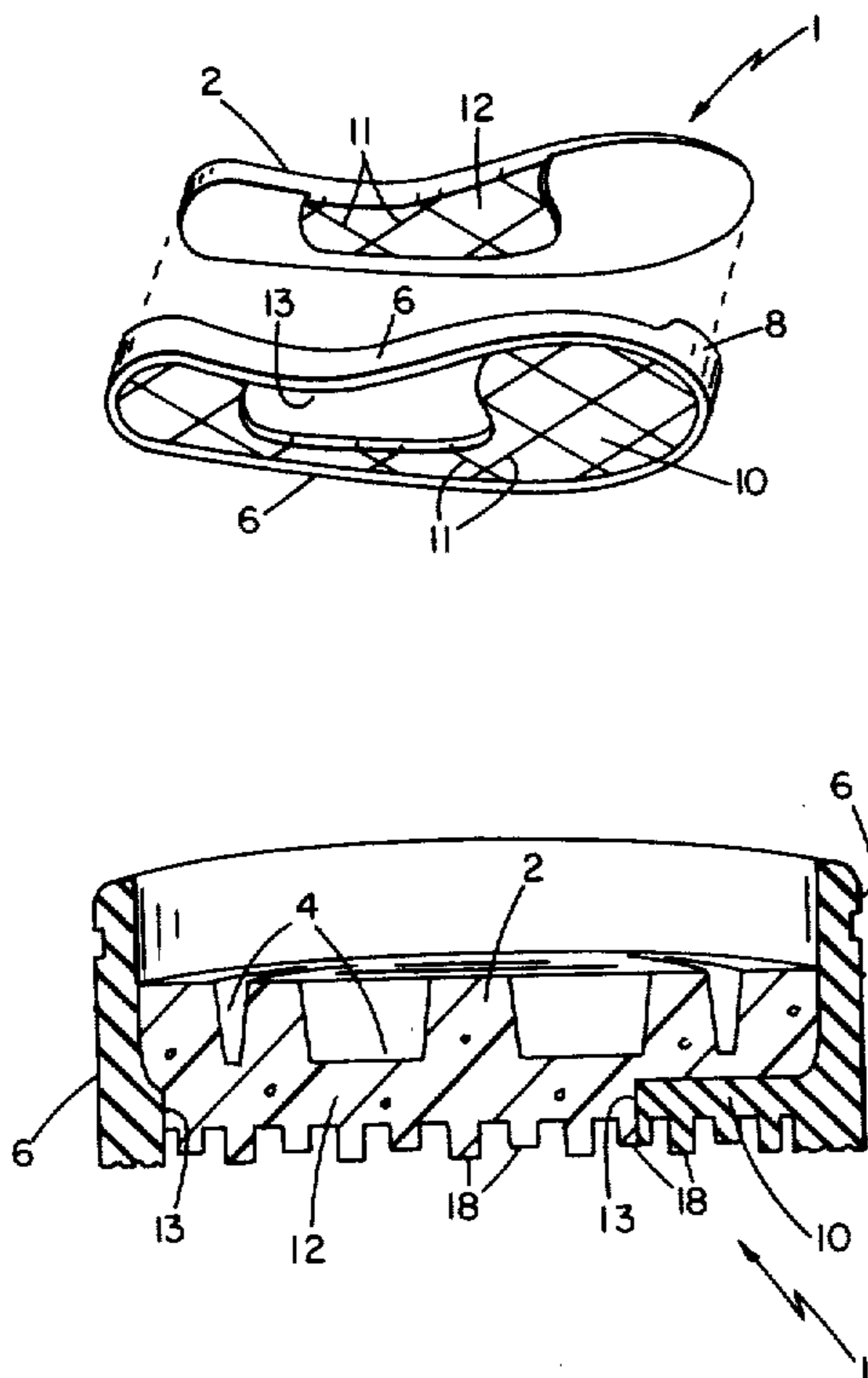
Primary Examiner—B. J. Bullock  
Attorney, Agent, or Firm—Kenneth R. Glaser

[57] CLAIM

The ornamental design for a hand held wrapping apparatus, as shown and described.

DESCRIPTION

FIG. 1 is a perspective view of a hand held wrapping apparatus showing my new design;  
FIG. 2 is a perspective view taken from a viewpoint opposite the viewpoint of FIG. 1;  
FIG. 3 is a front elevational view thereof;  
FIG. 4 is a side elevational view thereof, taken from the right side of FIG. 3;  
FIG. 5 is a top plan view thereof, and  
FIG. 6 is a bottom plan view thereof.



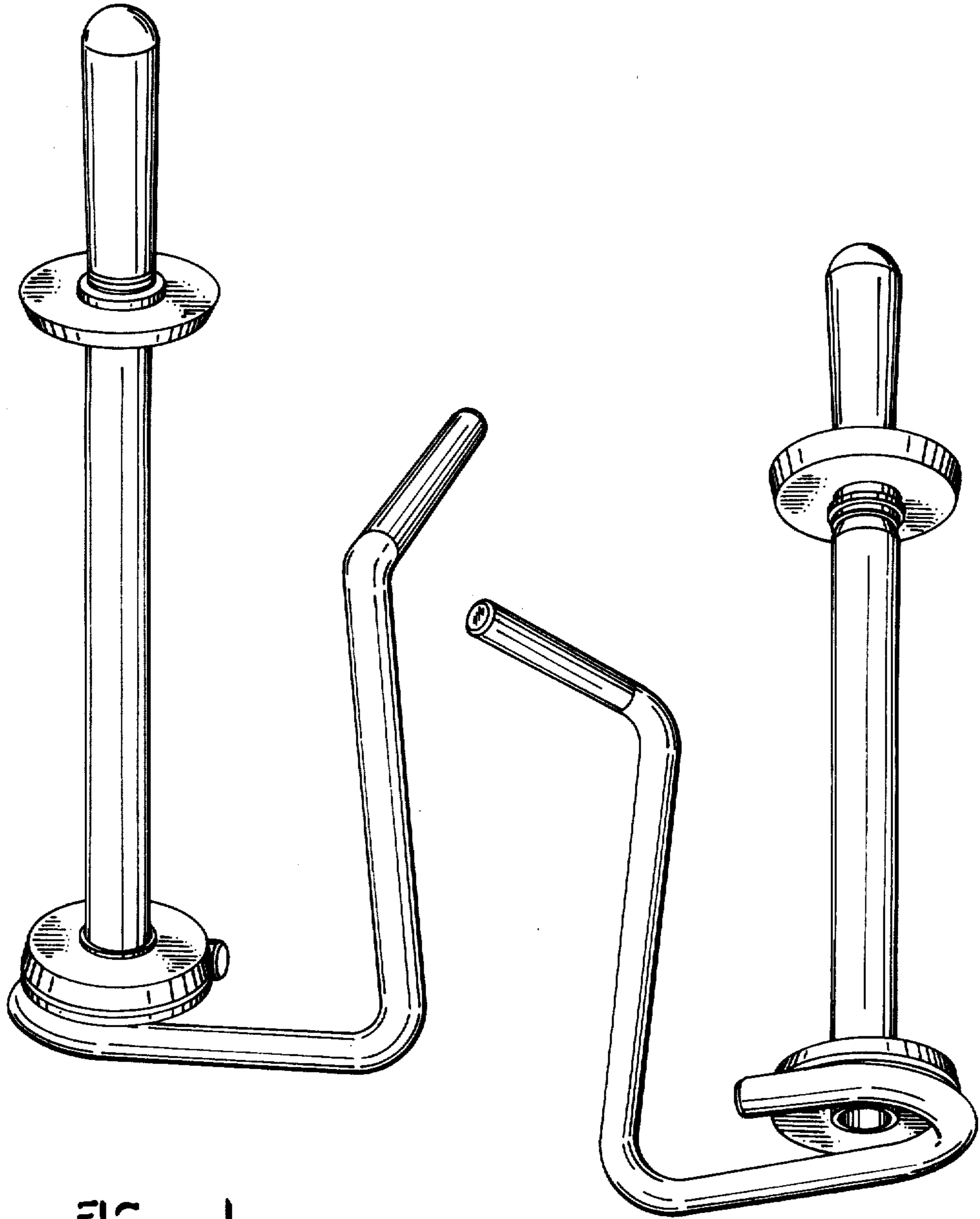


FIG. 1

FIG. 2

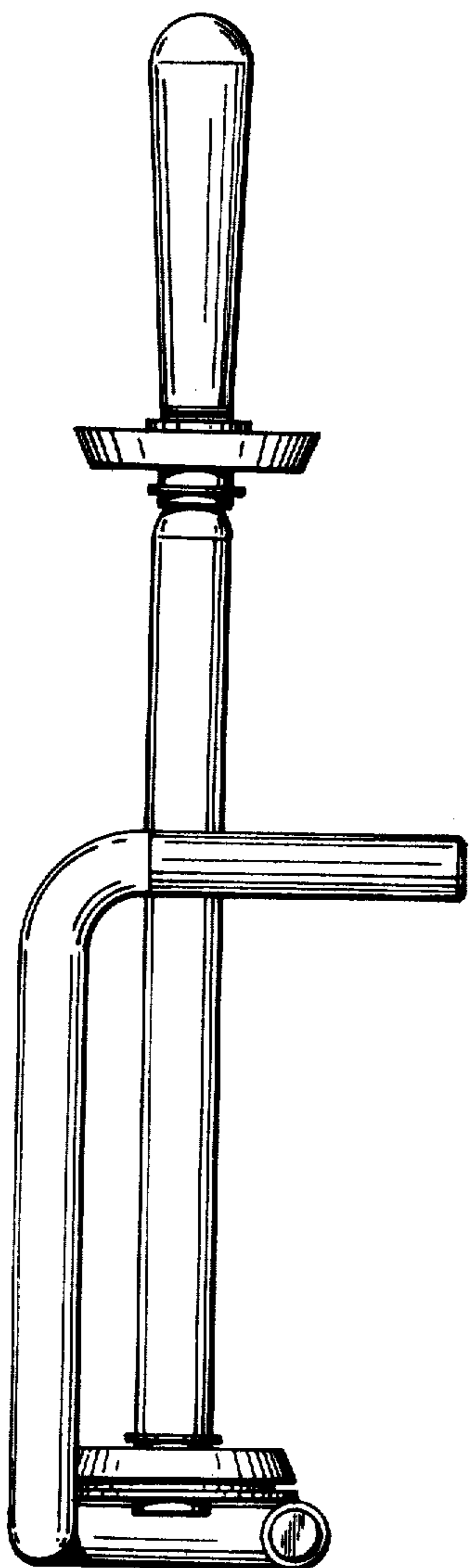


FIG. 3

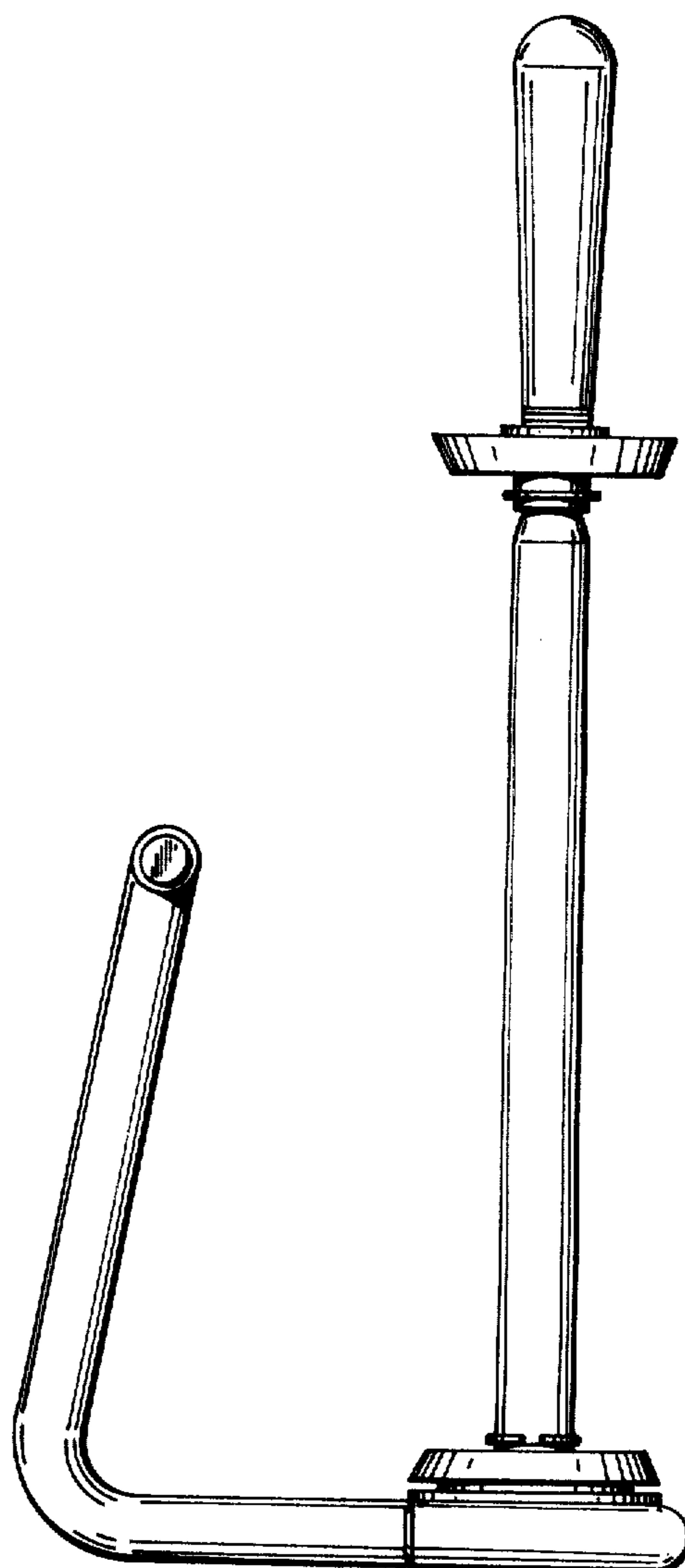


FIG. 4

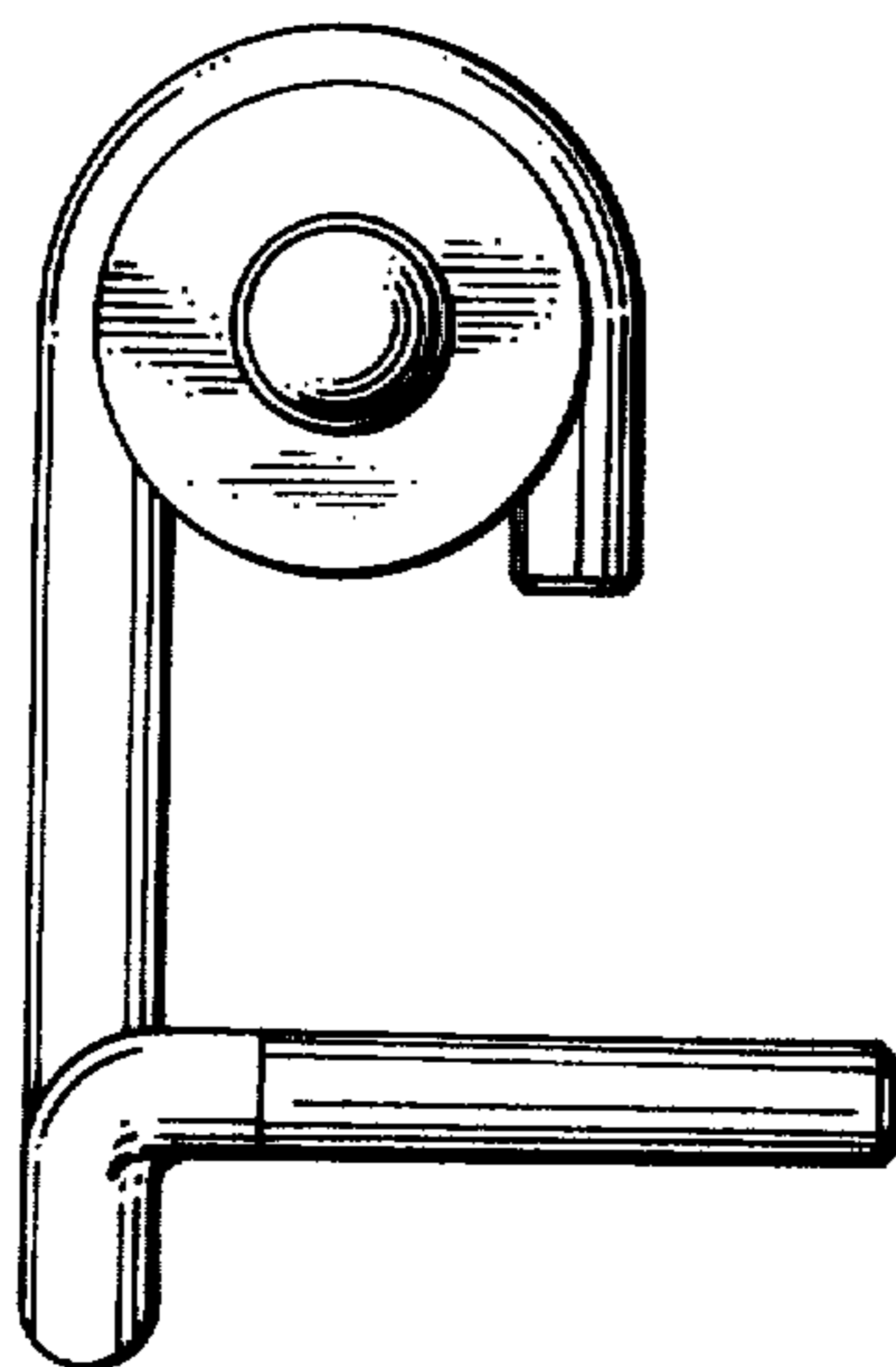


FIG. 5

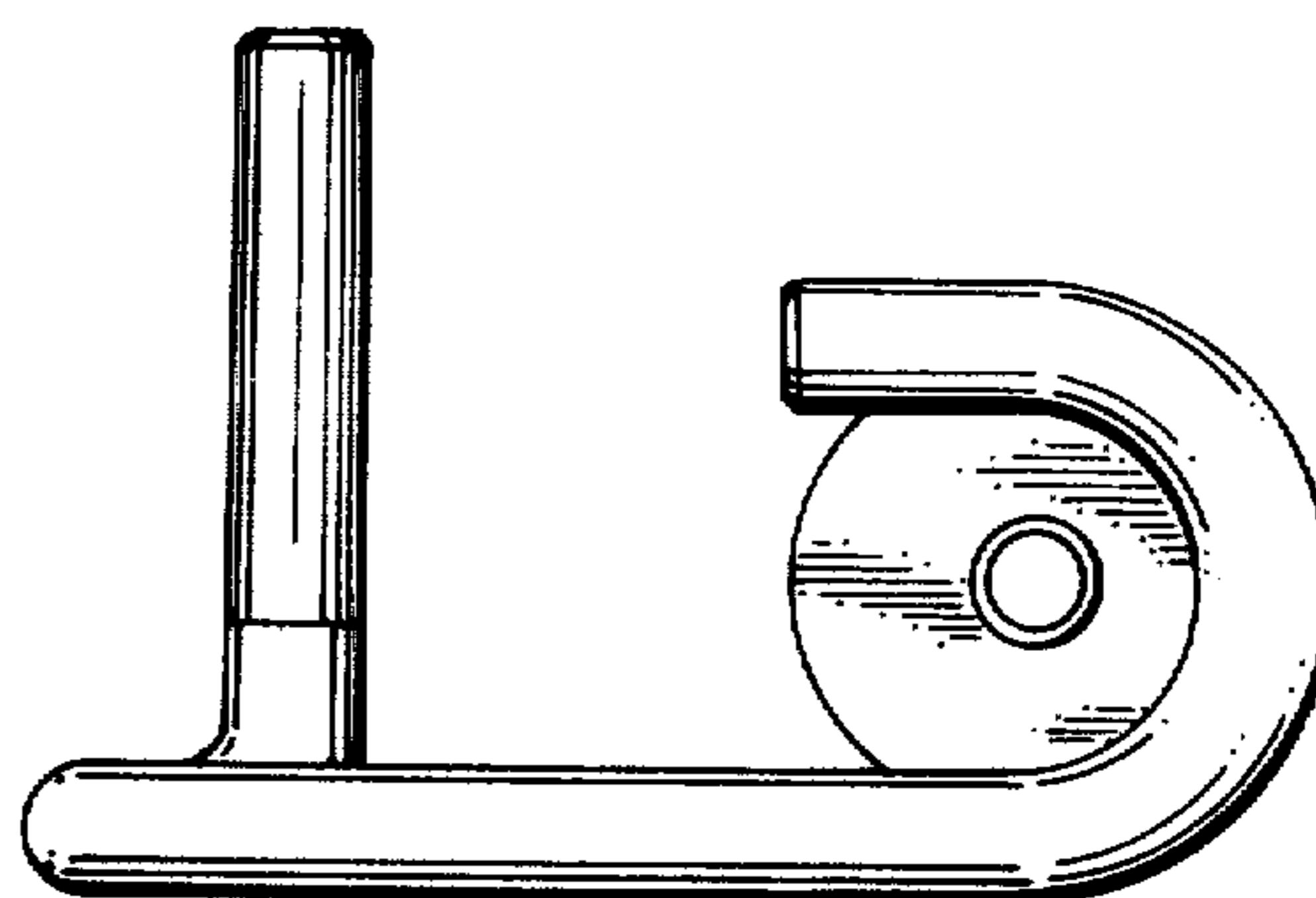


FIG. 6