

[54] CARRYING HANDLE FOR SEWING MACHINE

[75] Inventors: Susumu Hanyu, Hachioji; Kenzo Yuasa, Fuchu, both of Japan

[73] Assignee: Janome Sewing Machine Co. Ltd., Tokyo, Japan

[\*\*] Term: 14 Years

[21] Appl. No.: 236,708

[22] Filed: Feb. 23, 1981

[51] Int. Cl. .... D15-06; D08-06

[52] U.S. Cl. .... D15/72; D3/72; D8/306; D8/319

[58] Field of Search ..... D15/66, 69, 70, 72; D8/306, 315, 319; D3/72; 16/110 R, 124; 294/137

[56] References Cited

U.S. PATENT DOCUMENTS

- D. 217,080 3/1970 Fleming ..... D3/72
- D. 225,037 10/1972 Current ..... D15/70
- D. 229,026 11/1973 Javkin ..... D8/306

OTHER PUBLICATIONS

Sweet's '62 Architectural Catalog, p. 169/Pi, center row far right Door Handle.

Primary Examiner—Joel Stearman  
Assistant Examiner—Carmen H. Vales  
Attorney, Agent, or Firm—Michael J. Striker

[57] CLAIM

The ornamental design for a carrying handle for sewing machine, substantially as shown and described.

DESCRIPTION

FIG. 1 is a perspective view of a carrying handle for sewing machine showing our new design, the broken line showing of a sewing machine being for environmental purposes only;

FIG. 2 is a perspective view of the handle in carrying position, the broken line showing of a sewing machine being for environmental purposes only;

FIG. 3 is an end elevational view, the opposite end being identical thereof;

FIG. 4 is a front elevational view thereof;

FIG. 5 is a rear elevational view thereof;

FIG. 6 is a top plan view thereof; and

FIG. 7 is a bottom plan view thereof.

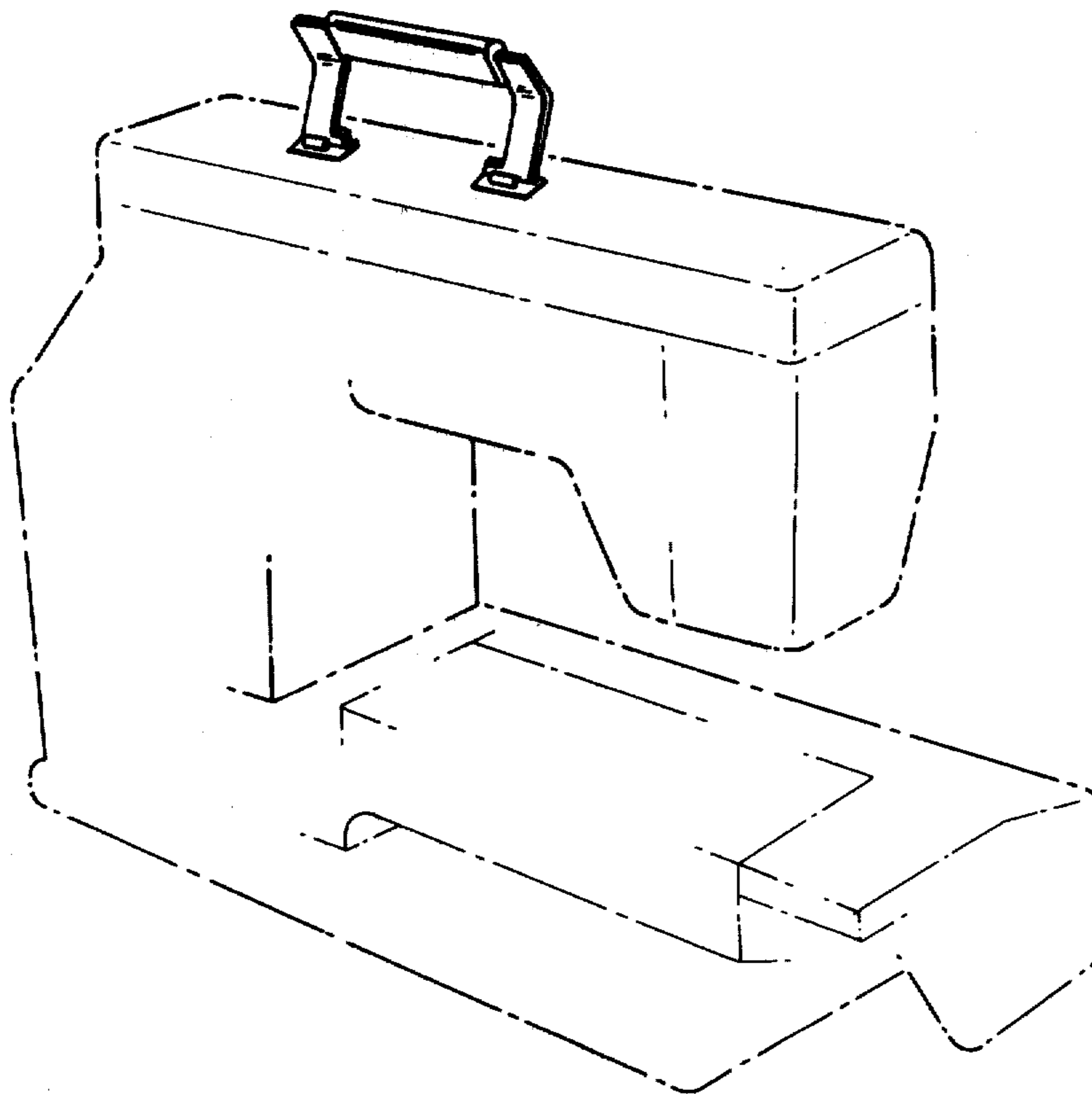


FIG. 1

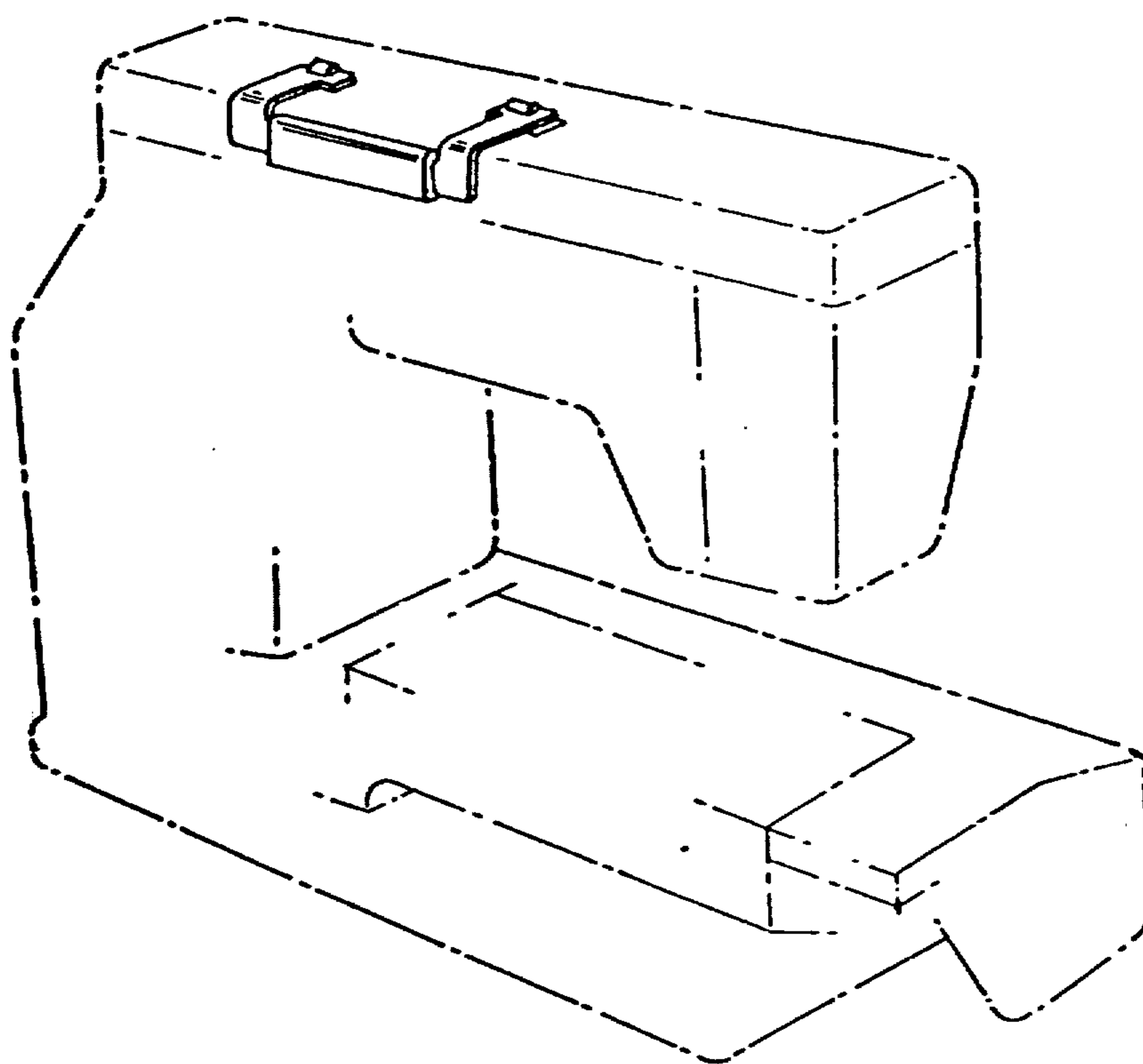


FIG. 2

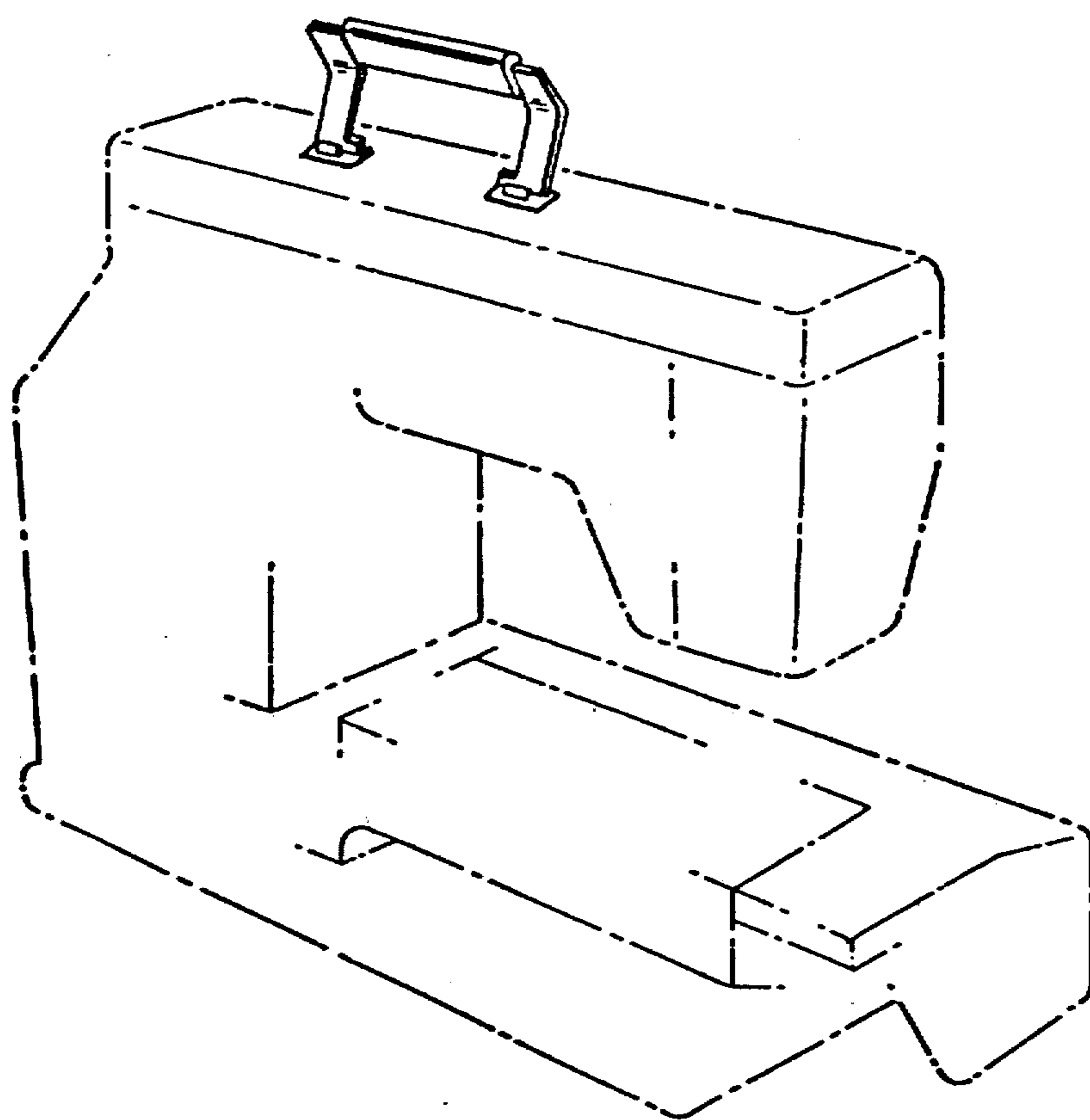


FIG. 3

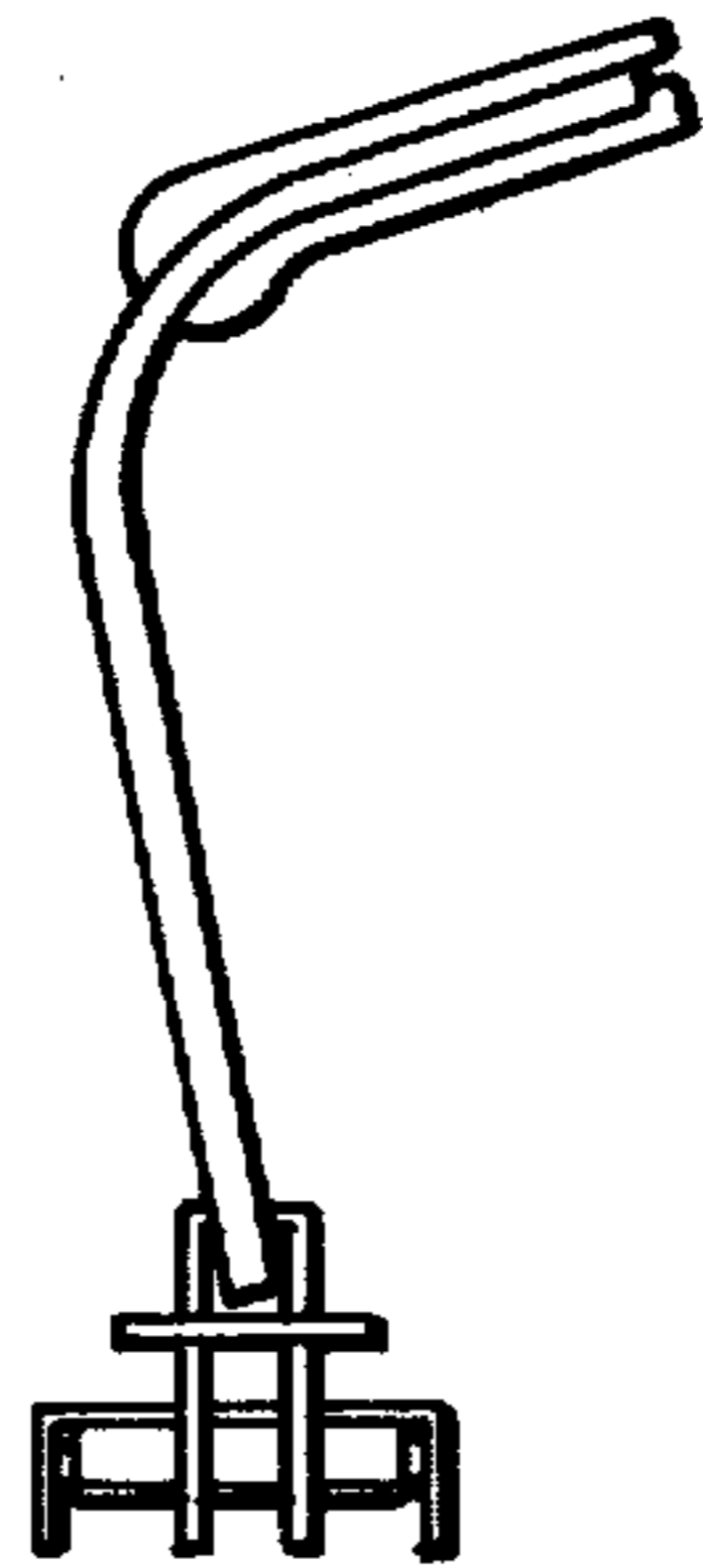


FIG. 6

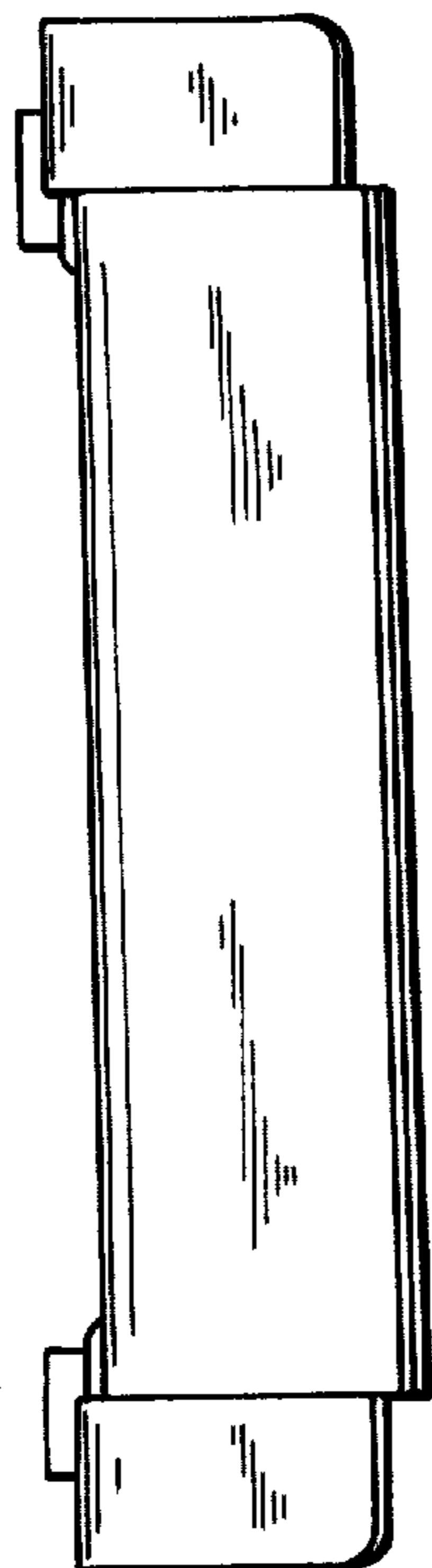


FIG. 7

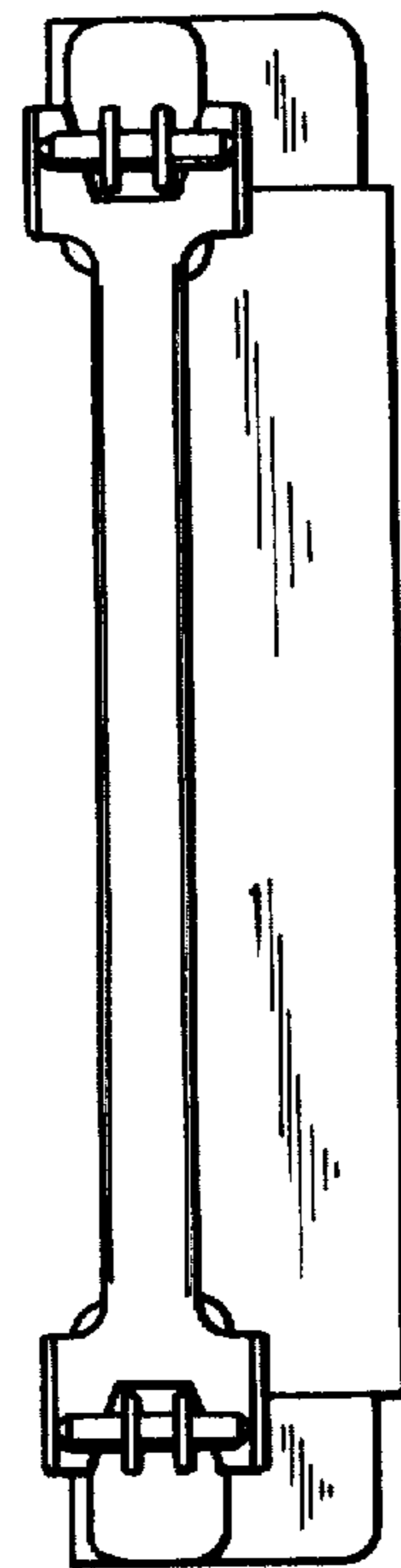


FIG. 4

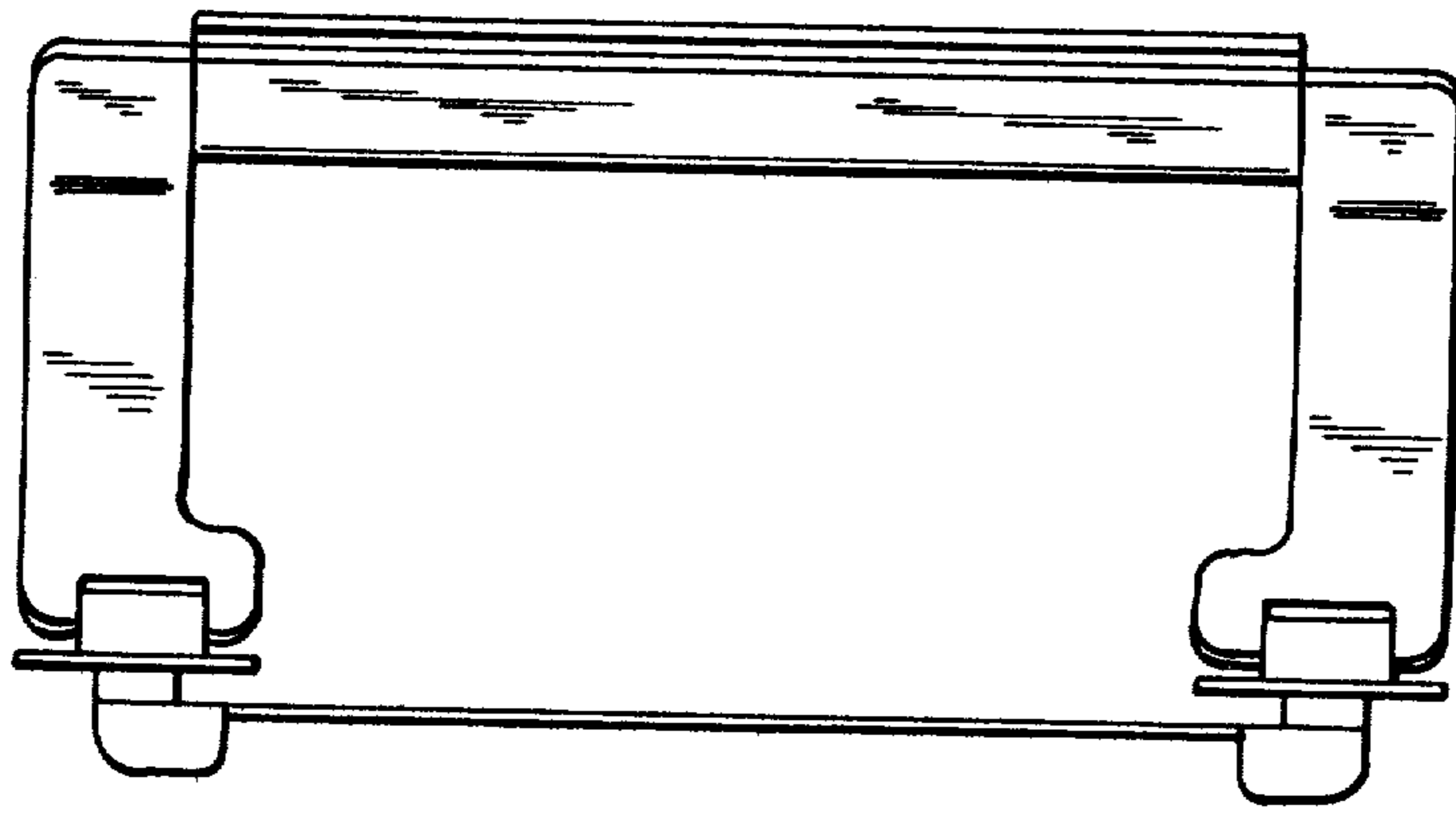


FIG. 5

