

[54] **TIRE**

[75] **Inventor:** **Philippe Grenie**, Clermont-Ferrand, France

[73] **Assignee:** **Compagnie Generale des Etablissements Michelin**, Clermont-Ferrand, France

[**] **Term:** **14 Years**

[21] **Appl. No.:** **441,404**

[22] **Filed:** **Nov. 15, 1982**

Related U.S. Application Data

[63] Continuation of Ser. No. 218,688, Dec. 22, 1980, abandoned, and a continuation of Ser. No. 218,689, Dec. 22, 1980, abandoned.

[30] **Foreign Application Priority Data**

Jun. 26, 1980 [FR] France 33

[51] **Int. Cl.** **D12—15**

[52] **U.S. Cl.** **D12/147**

[58] **Field of Search** D12/141-143, D12/145-151; 152/209 R, 209 NT, 209 WT, 209 D

[56] **References Cited**

PUBLICATIONS

Modern Tire Dealer, 10/75, p. 23, TRX Radial Tire, bottom of page.

1979 Tread Design Guide, p. 21, Avon Turbosport Tire, bottom center of page.

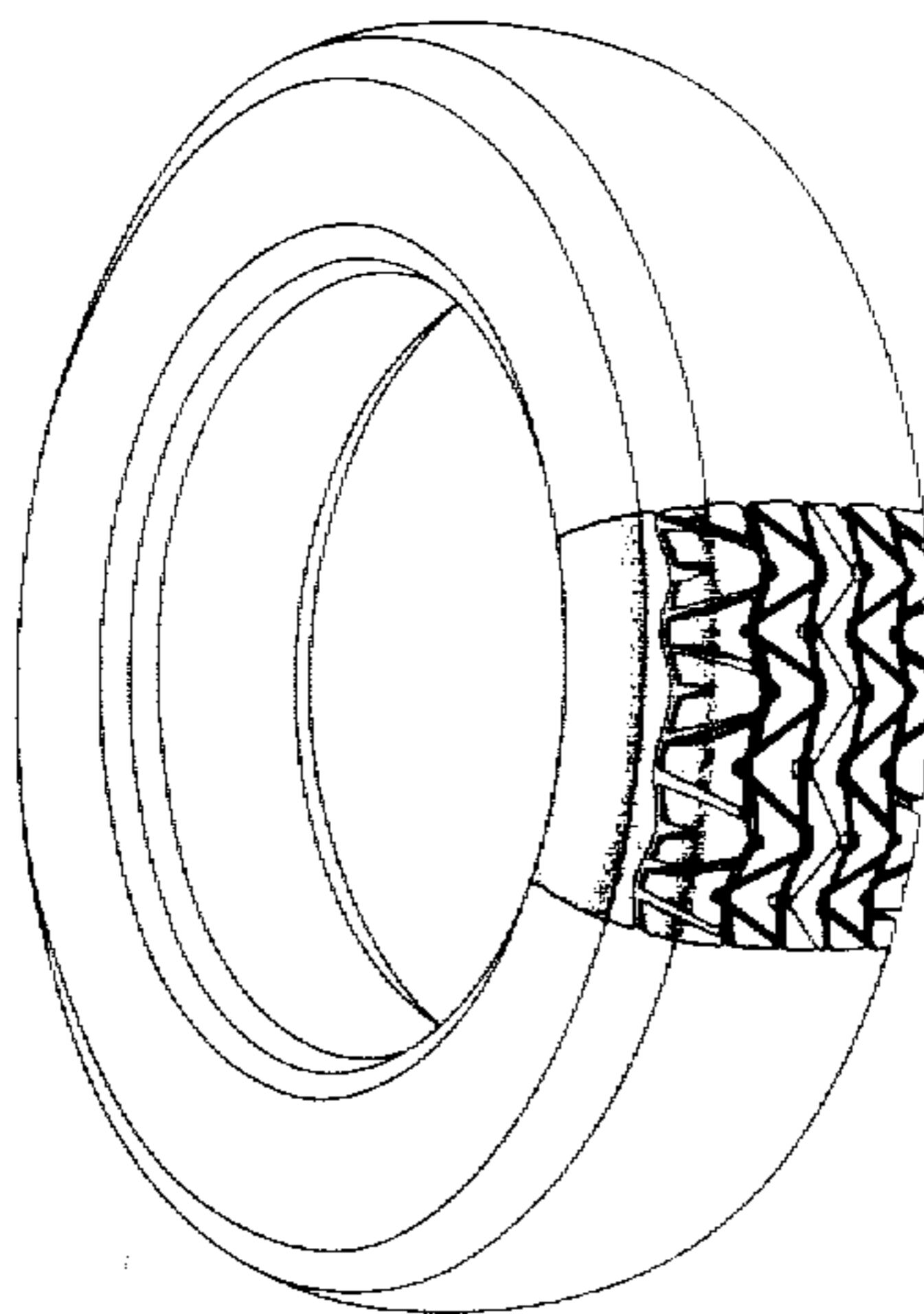
Primary Examiner—James M. Gandy
Attorney, Agent, or Firm—Brumbaugh, Graves, Donohue & Raymond

[57] **CLAIM**

The ornamental design for a tire, substantially as shown and described.

DESCRIPTION

FIGS. 1 and 2 are perspective views of a tire showing two embodiments of my new design, it being understood that the tread pattern is repeated throughout the circumference of the tire, as shown schematically by solid lines, the opposite side being substantially the same as that shown.



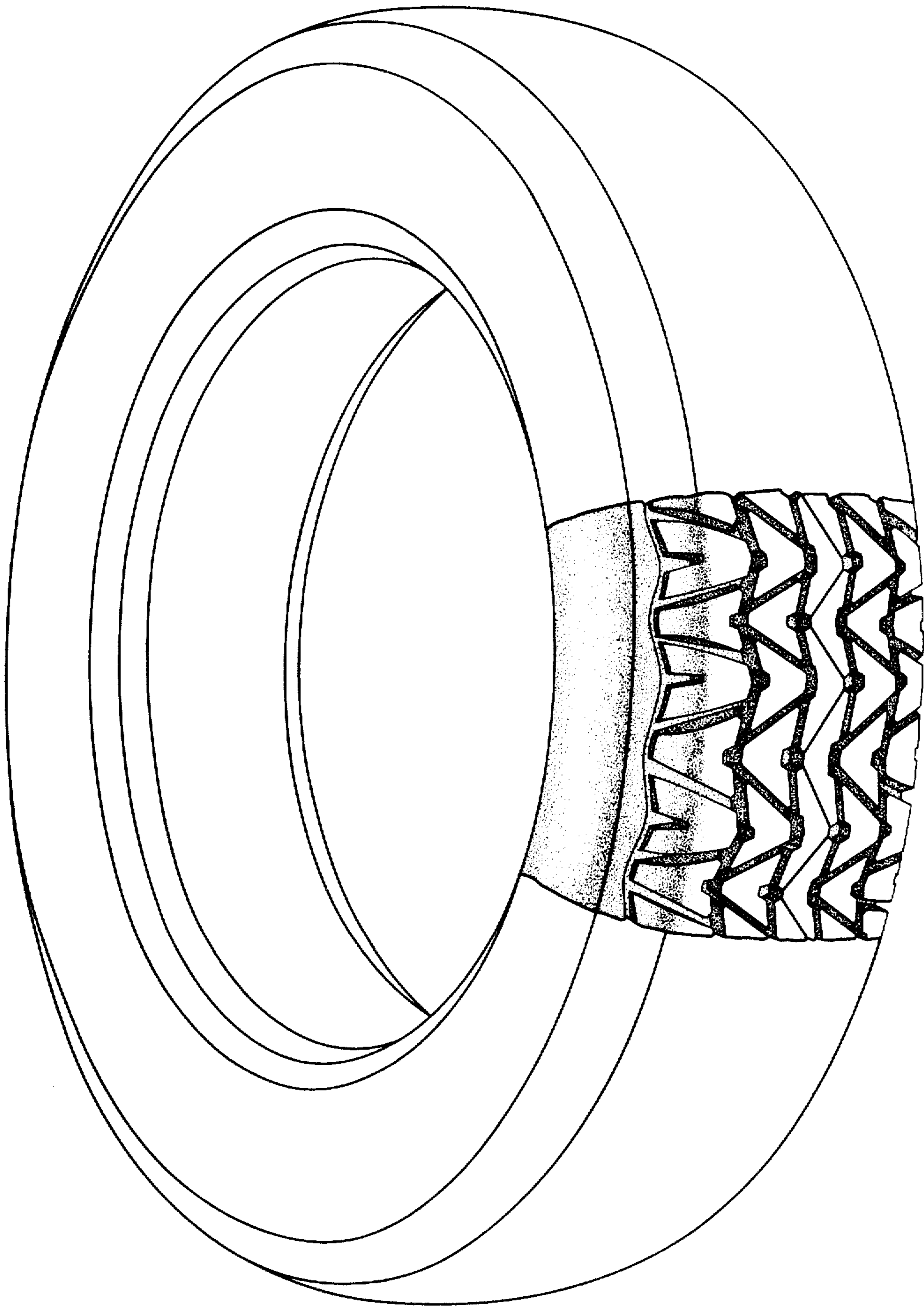


FIG. 1

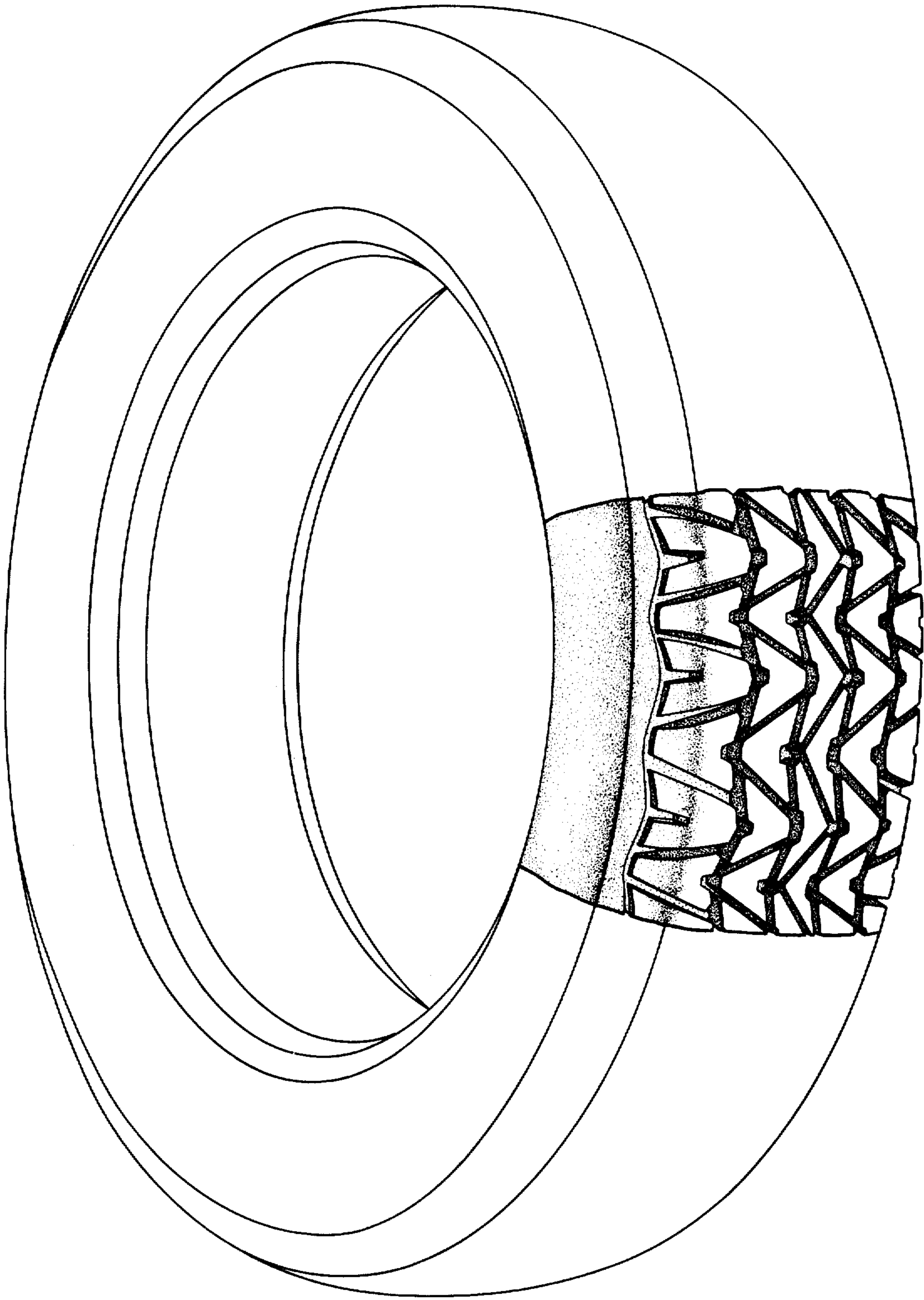


FIG. 2