

[54] TRAILER ENCLOSURE

[76] Inventor: Frederick R. Faust, 305 Wood Rd.,
New Braunfels, Tex. 78130

[**] Term: 14 Years

[21] Appl. No.: 234,164

[22] Filed: Feb. 13, 1981

[51] Int. Cl. D12-10

[52] U.S. Cl. D12/102

[58] Field of Search D12/102, 103; 296/181,
296/168, 24 C

[56] References Cited

U.S. PATENT DOCUMENTS

D. 243,597 3/1977 Headington, Jr. D12/103

D. 256,114 7/1980 Bell, Jr. D12/102

Primary Examiner—James M. Gandy

[57] CLAIM

The ornamental design for a trailer enclosure, as shown
and described.

DESCRIPTION

FIG. 1 is a top plan view of a trailer enclosure showing
my new design;

FIG. 2 is a right side elevational view thereof;

FIG. 3 is a rear elevational view thereof;

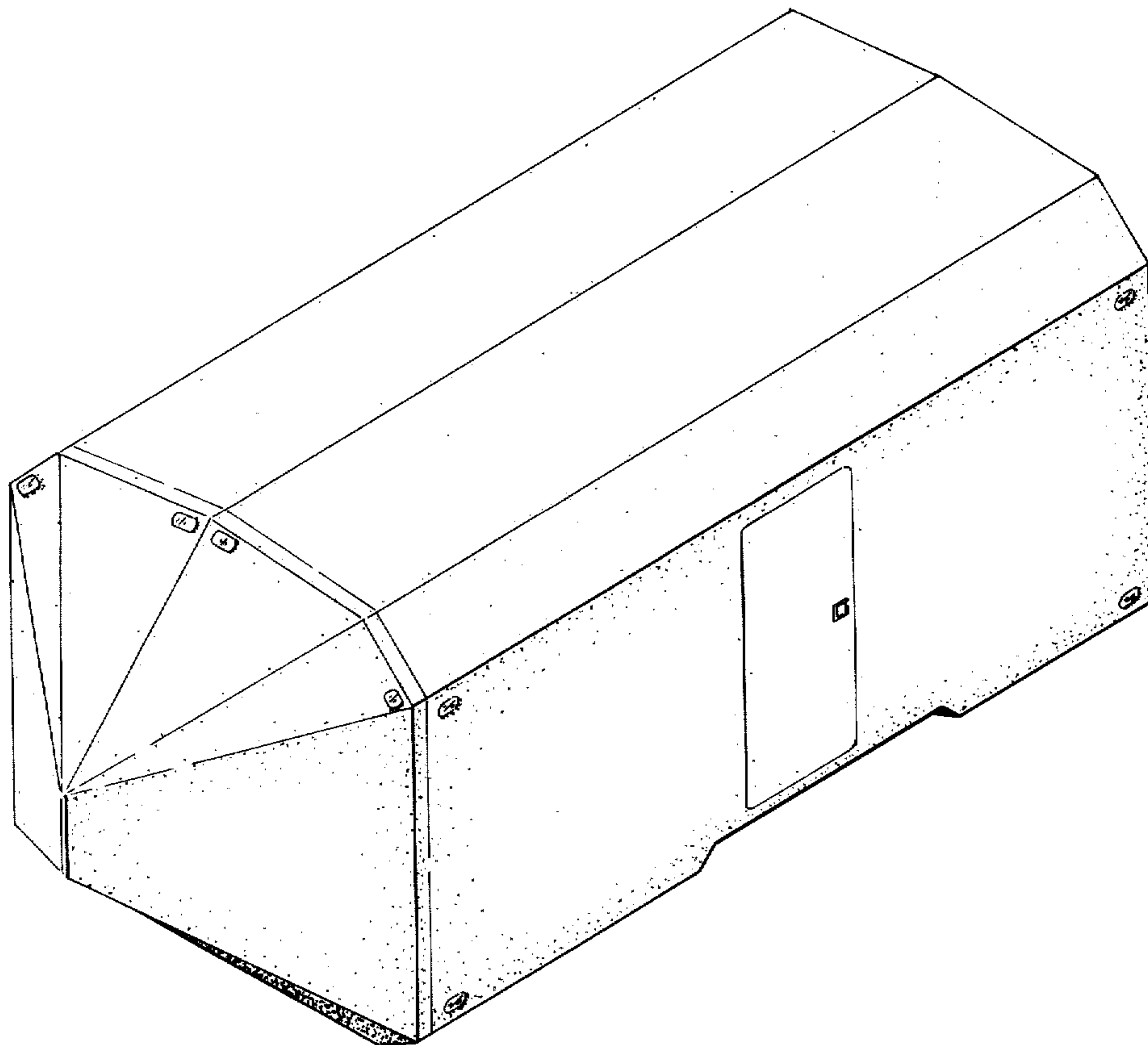
FIG. 4 is a left side elevational view thereof;

FIG. 5 is a front elevational view thereof;

FIG. 6 is a bottom plan view thereof;

FIG. 7 is a front perspective view thereof; and

FIG. 8 is a rear perspective view thereof.



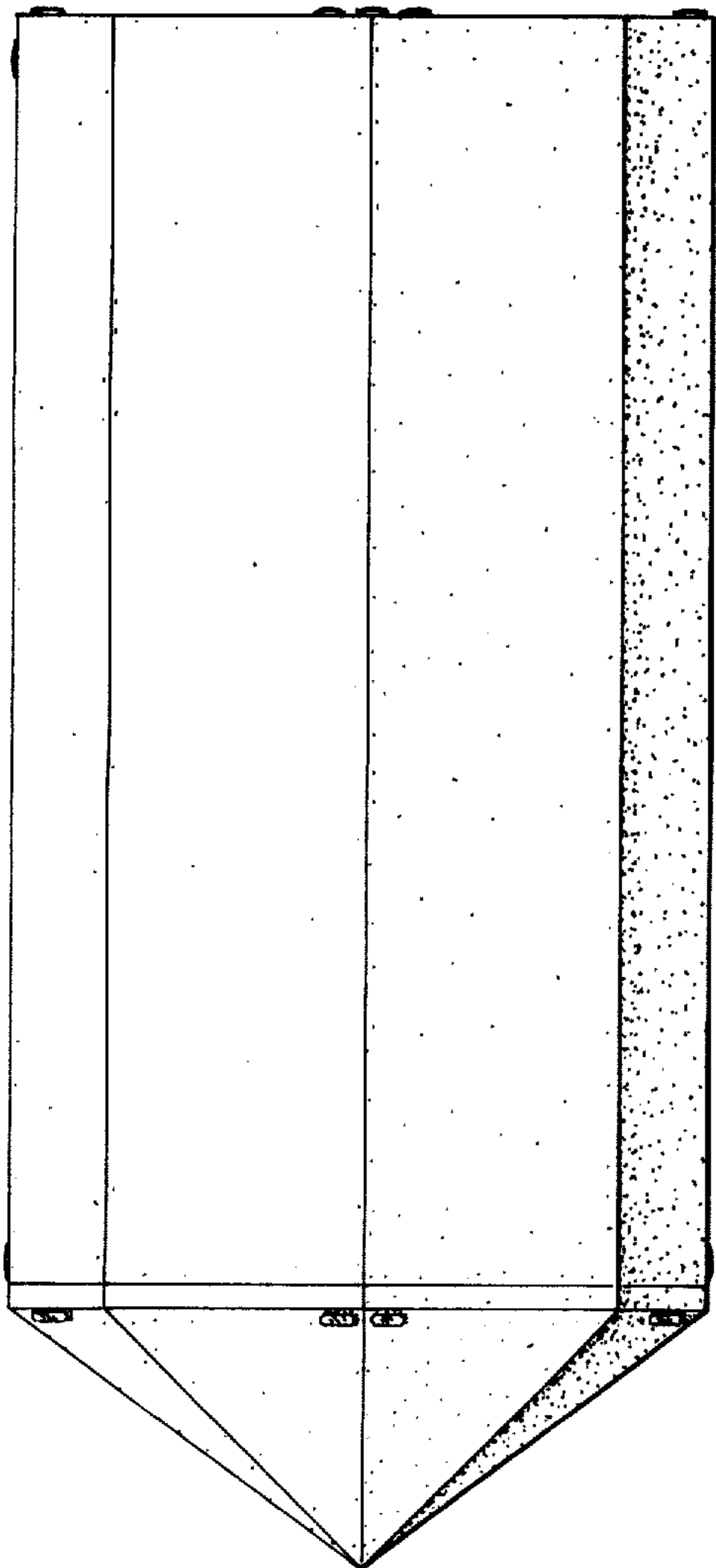


FIG. 1

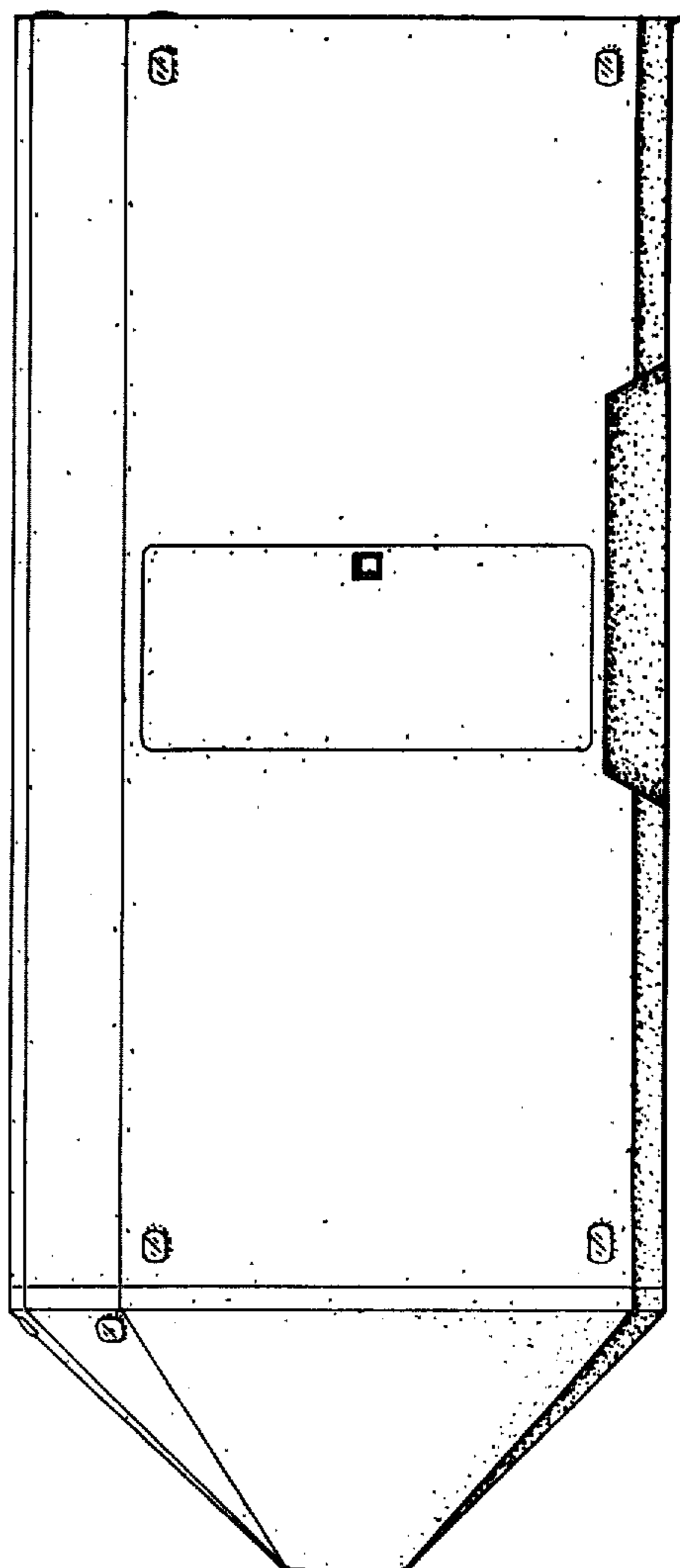


FIG. 2

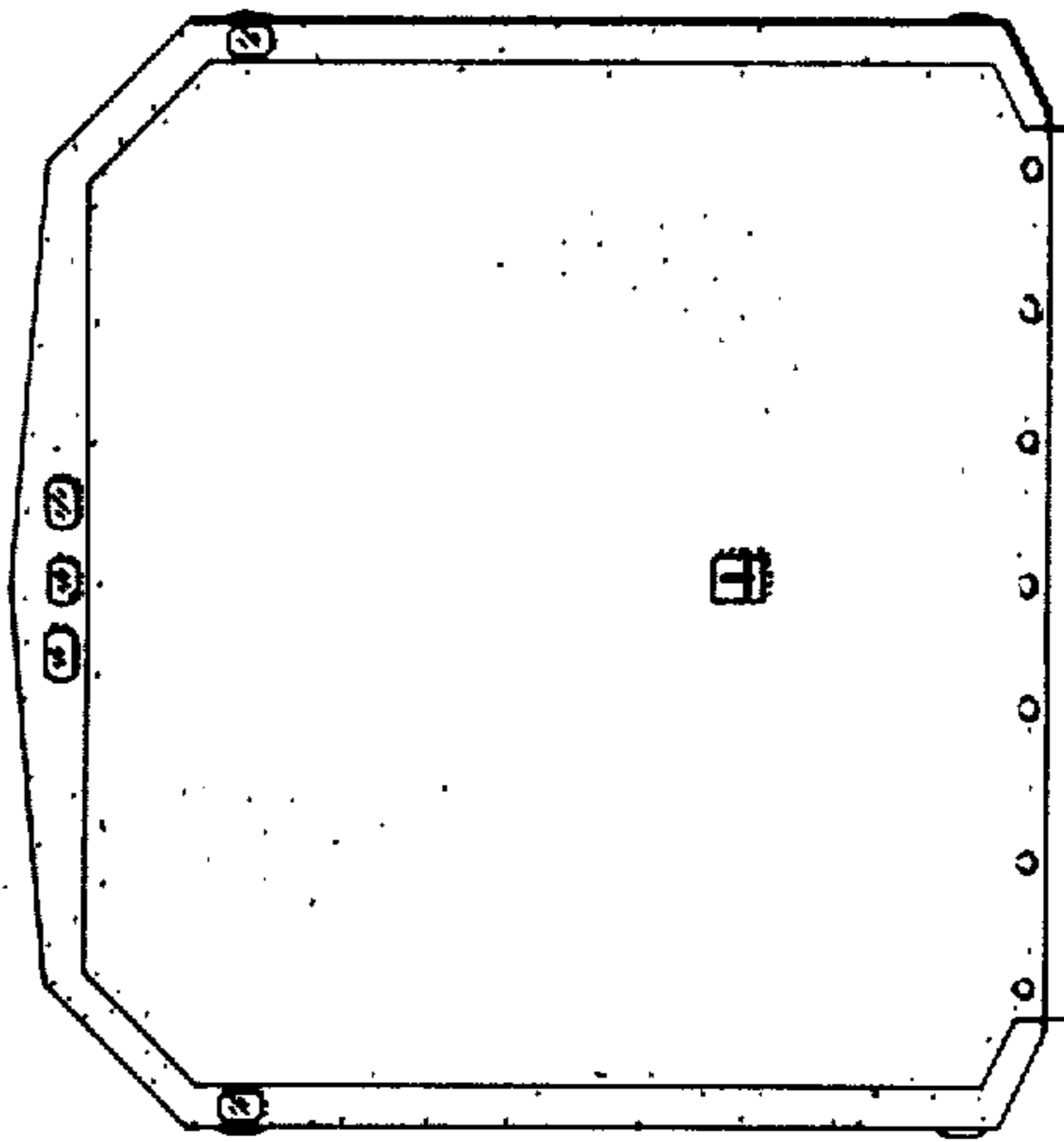


FIG. 3

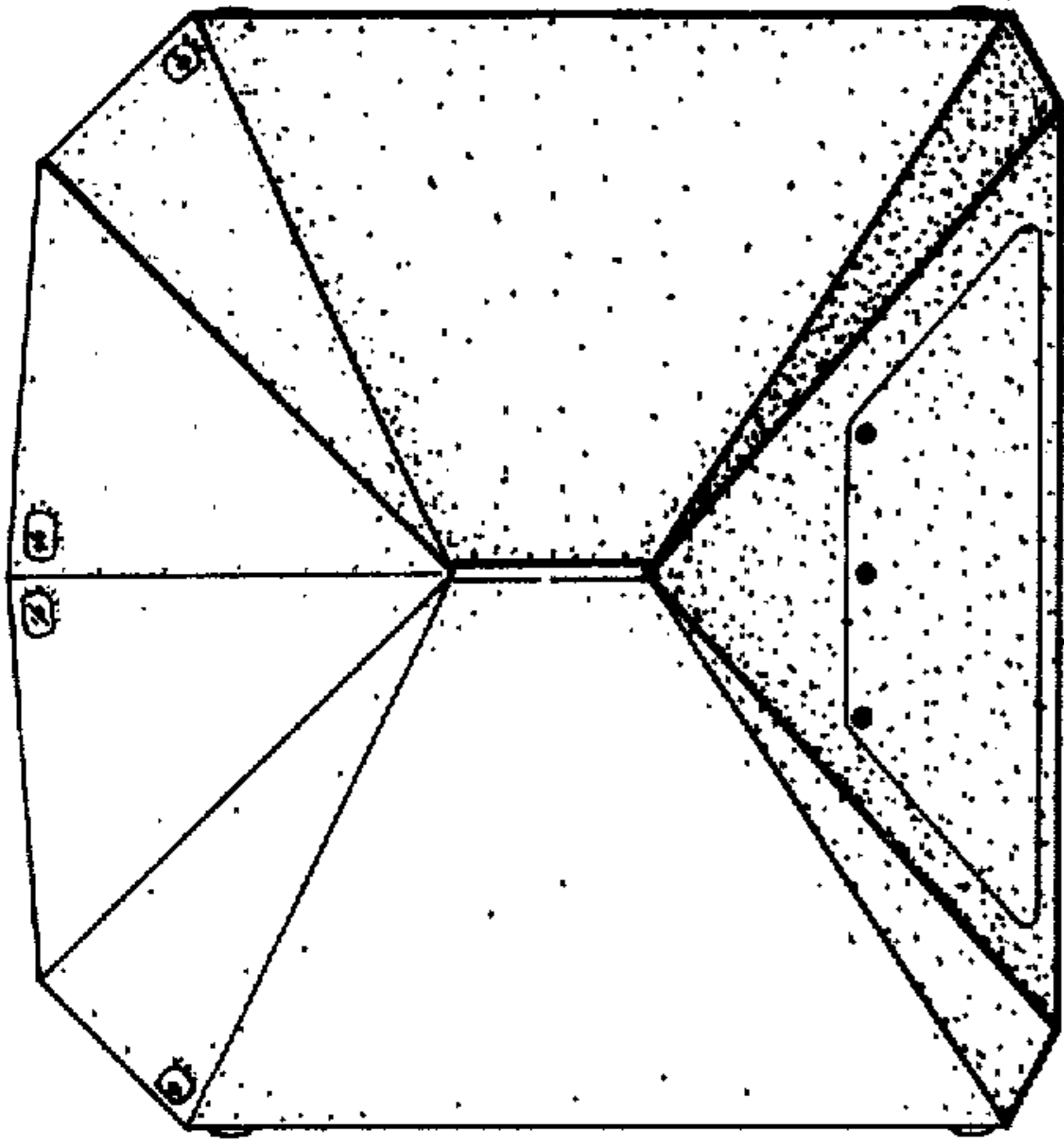


FIG. 5

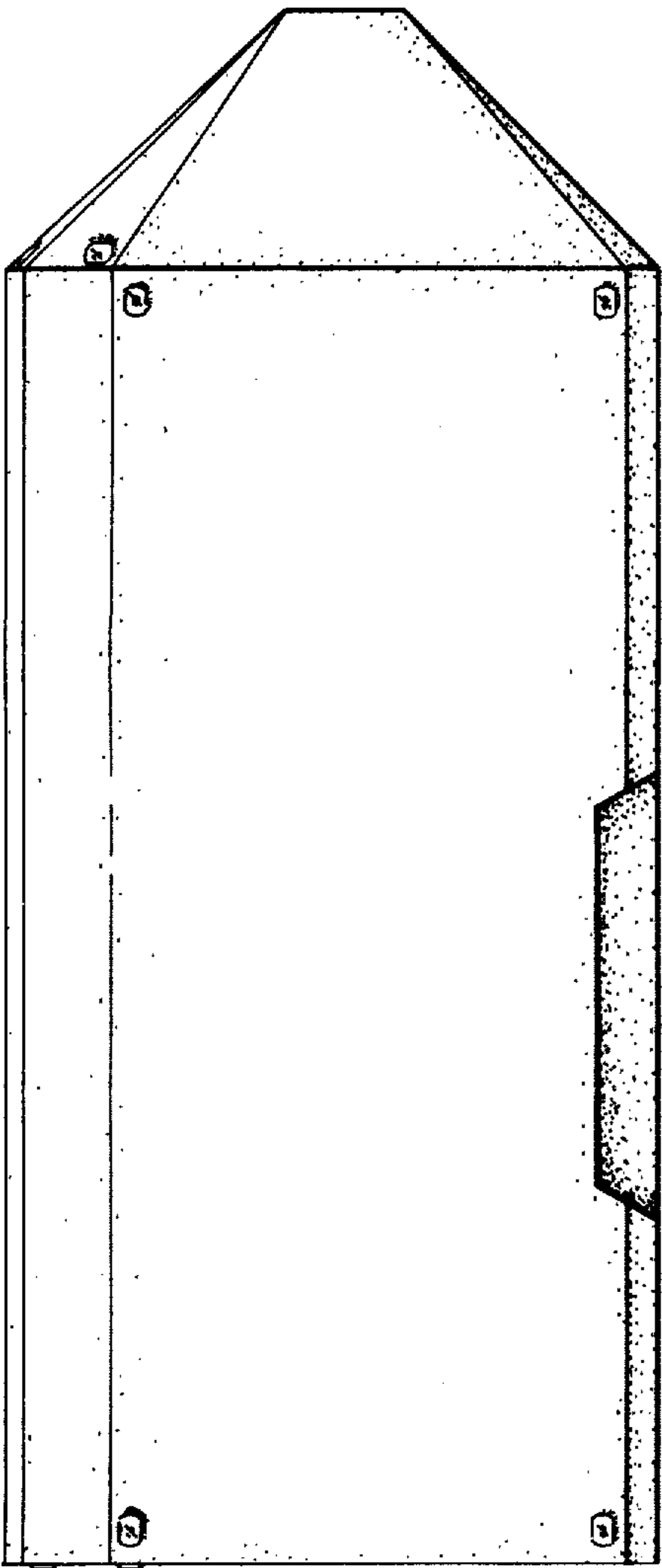


FIG. 4

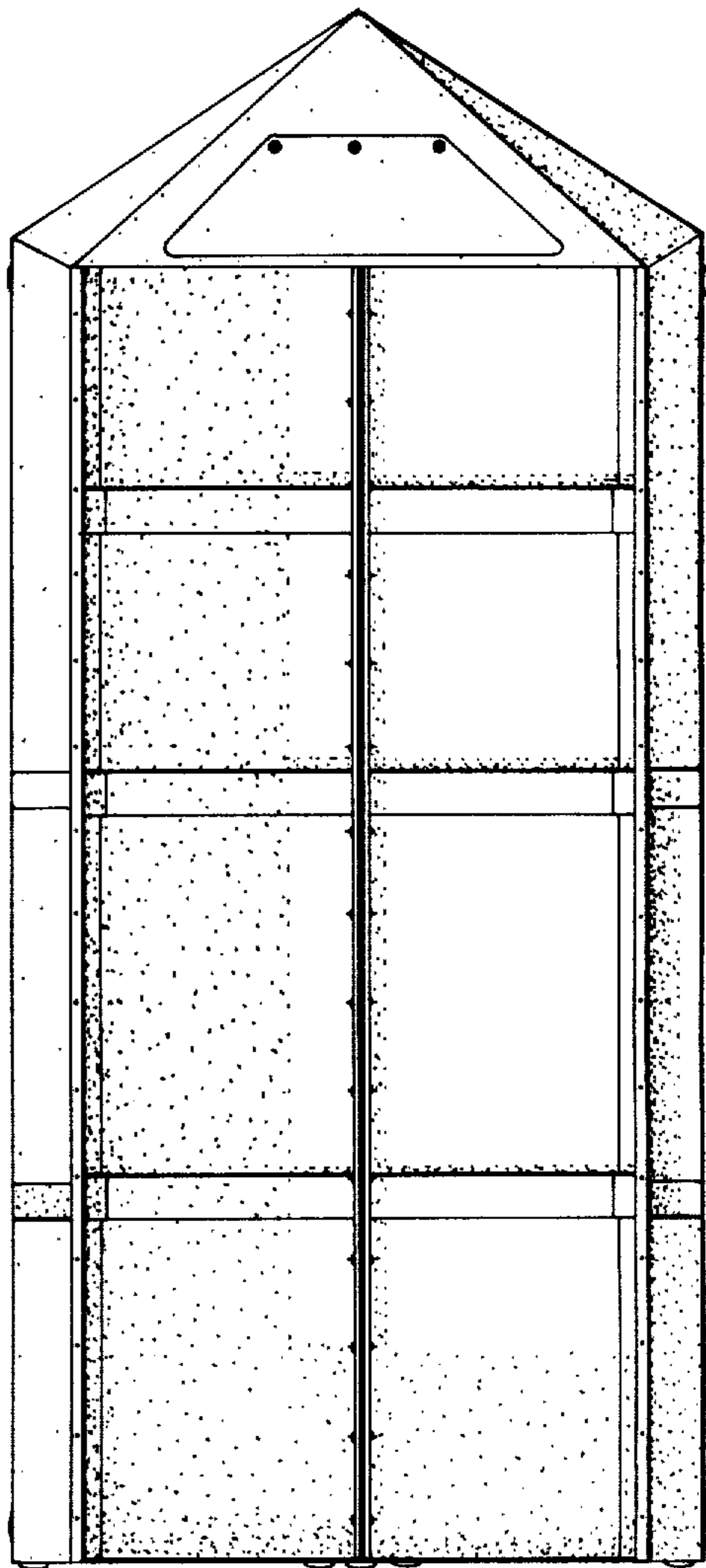


FIG. 6

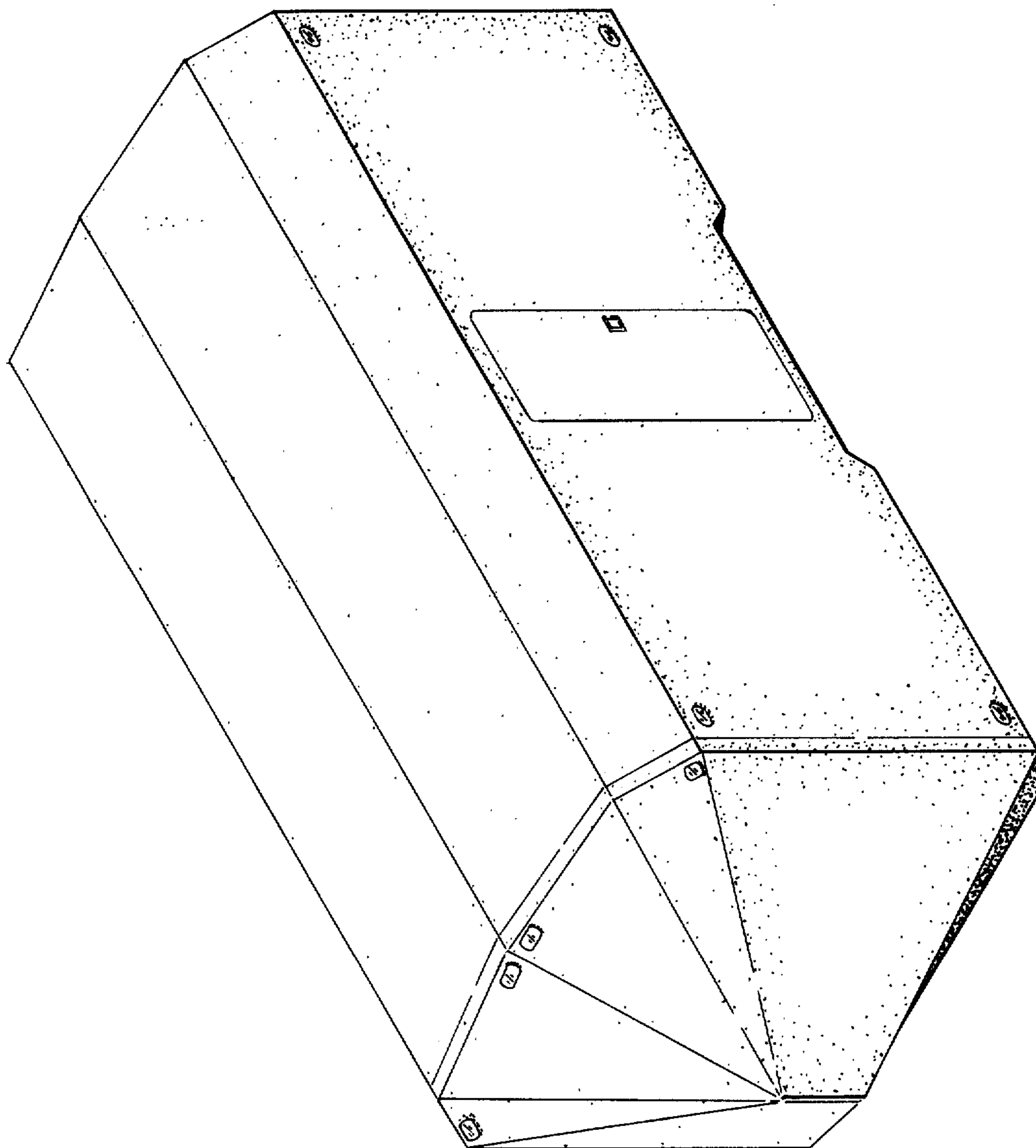


FIG. 7

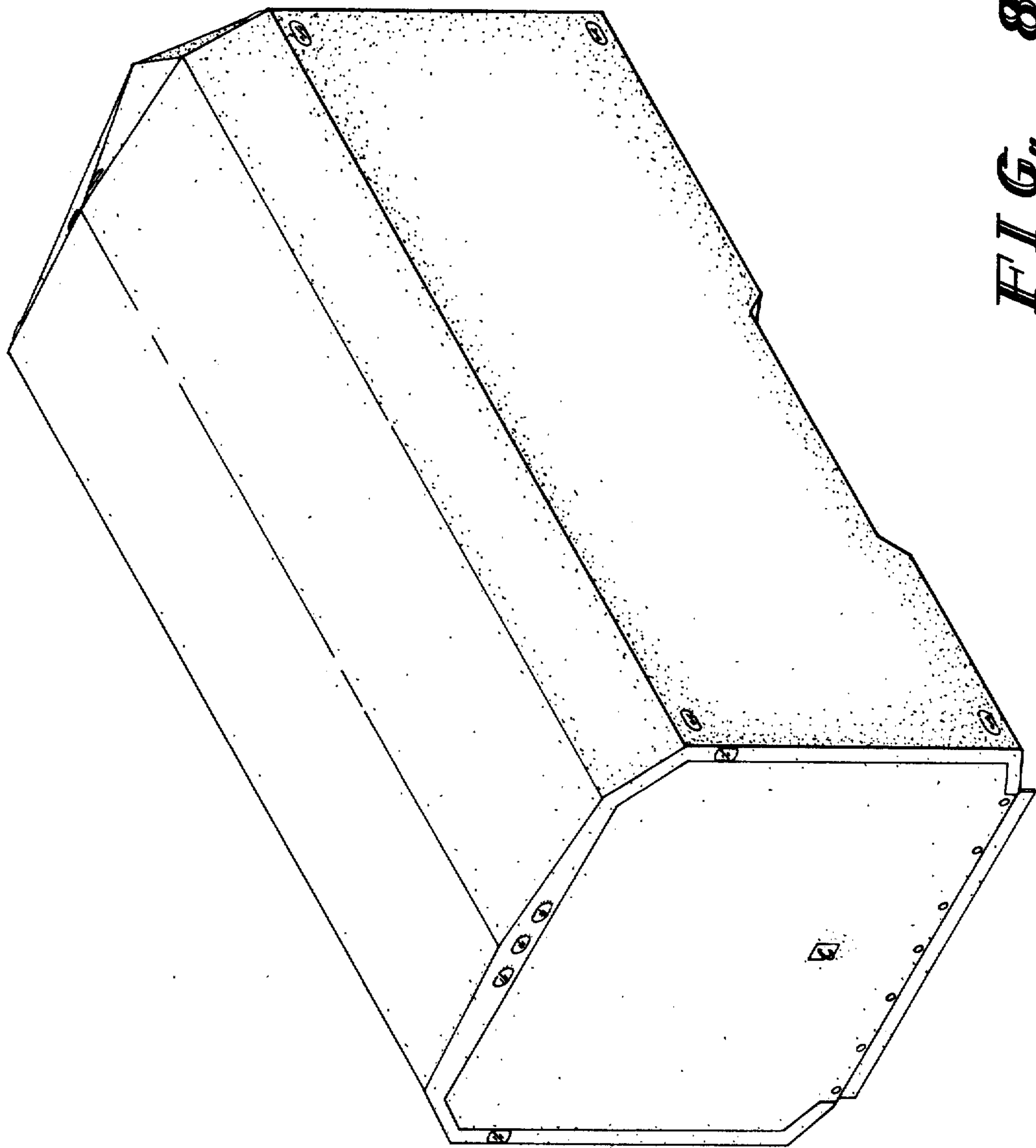


FIG. 8