

[54] SNOWPLOWABLE ROADWAY MARKER

[75] Inventor: **Robert M. Flanagan**, Lincolnshire, Ill.

[73] Assignee: **Amerace Corporation**, New York, N.Y.

[**] Term: **14 Years**

[21] Appl. No.: **207,380**

[22] Filed: **Nov. 17, 1980**

[51] Int. Cl. **D10-06**
[52] U.S. Cl. **D10/113**
[58] Field of Search **D10/109, 113, 111;**
404/6, 9, 10, 11, 13, 14, 15; 350/97, 98, 99, 100,
103

[56] **References Cited**

U.S. PATENT DOCUMENTS

D. 207,038 2/1967 Haley D10/113
D. 225,087 11/1972 Haley D10/113
3,980,410 9/1976 Suhr et al. 404/16

Primary Examiner—Susan J. Lucas
Attorney, Agent, or Firm—David Teschner

[57] **CLAIM**

The ornamental design for a snowplowable roadway marker, substantially as shown and described.

DESCRIPTION

FIG. 1 is a perspective view of the roadway marker showing my new design;
FIG. 2 is a top plan view of the roadway marker on an enlarged scale;
FIG. 3 is a sectional view of the roadway marker, on an enlarged scale, taken in the direction of the arrows 3—3 in FIG. 2; and
FIG. 4 is a side elevational view of the roadway marker on an enlarged scale.

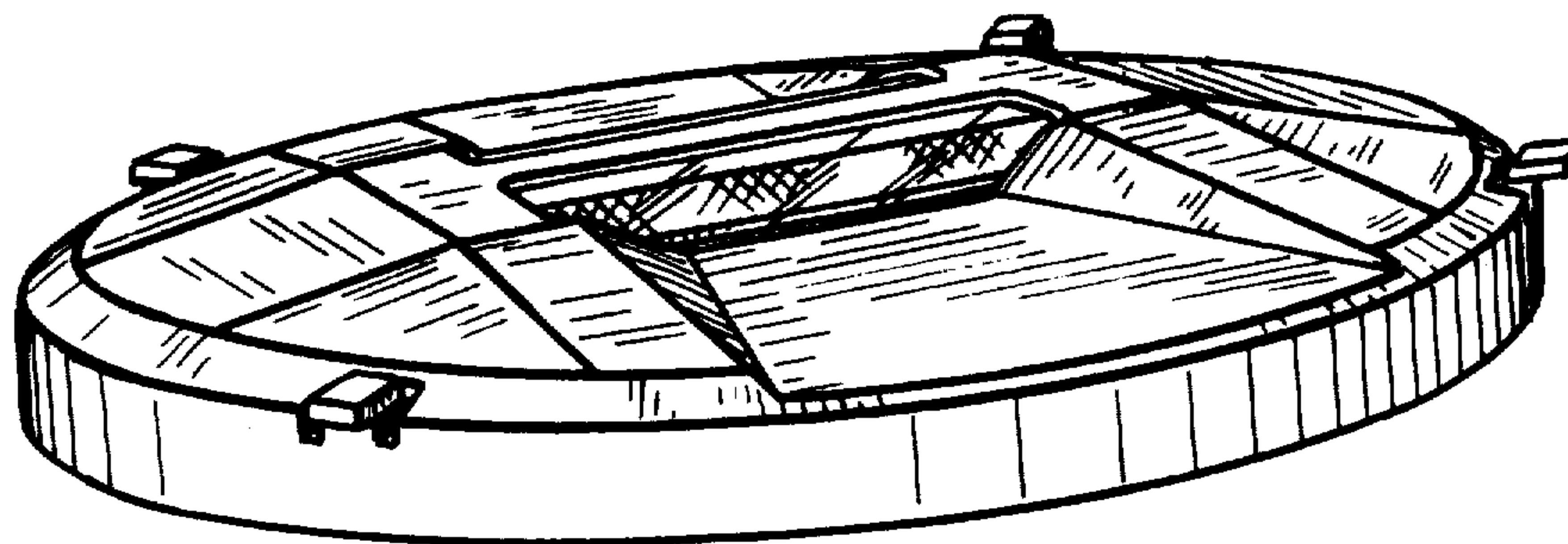


FIG. 1

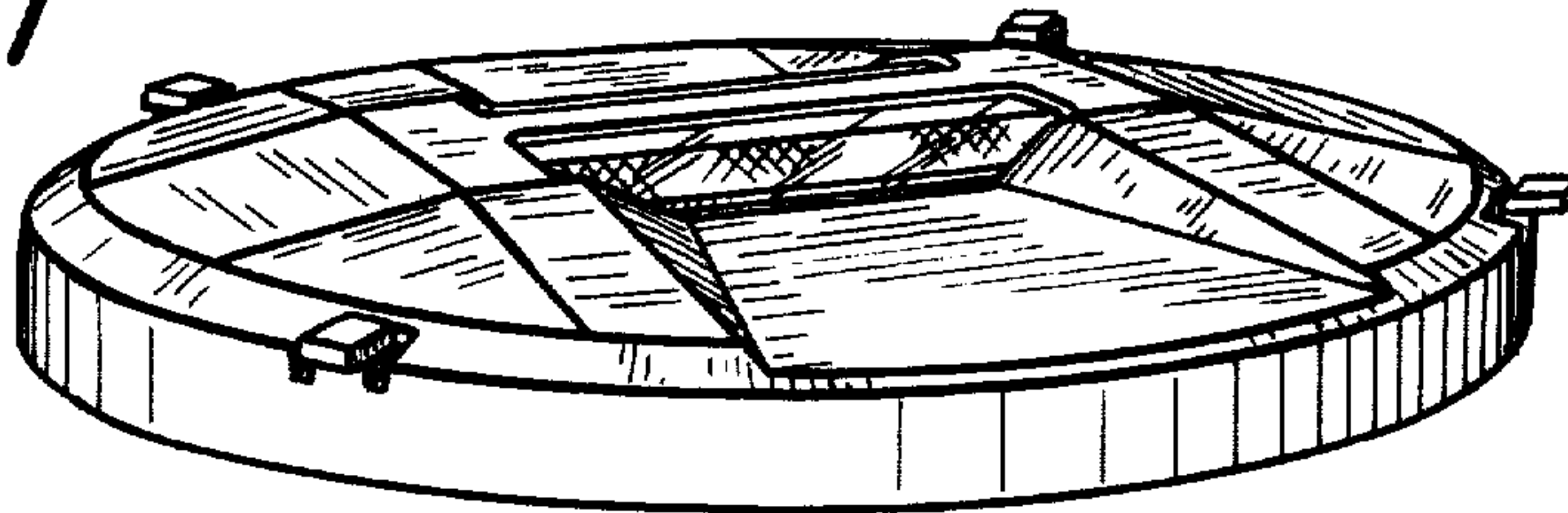


FIG. 2

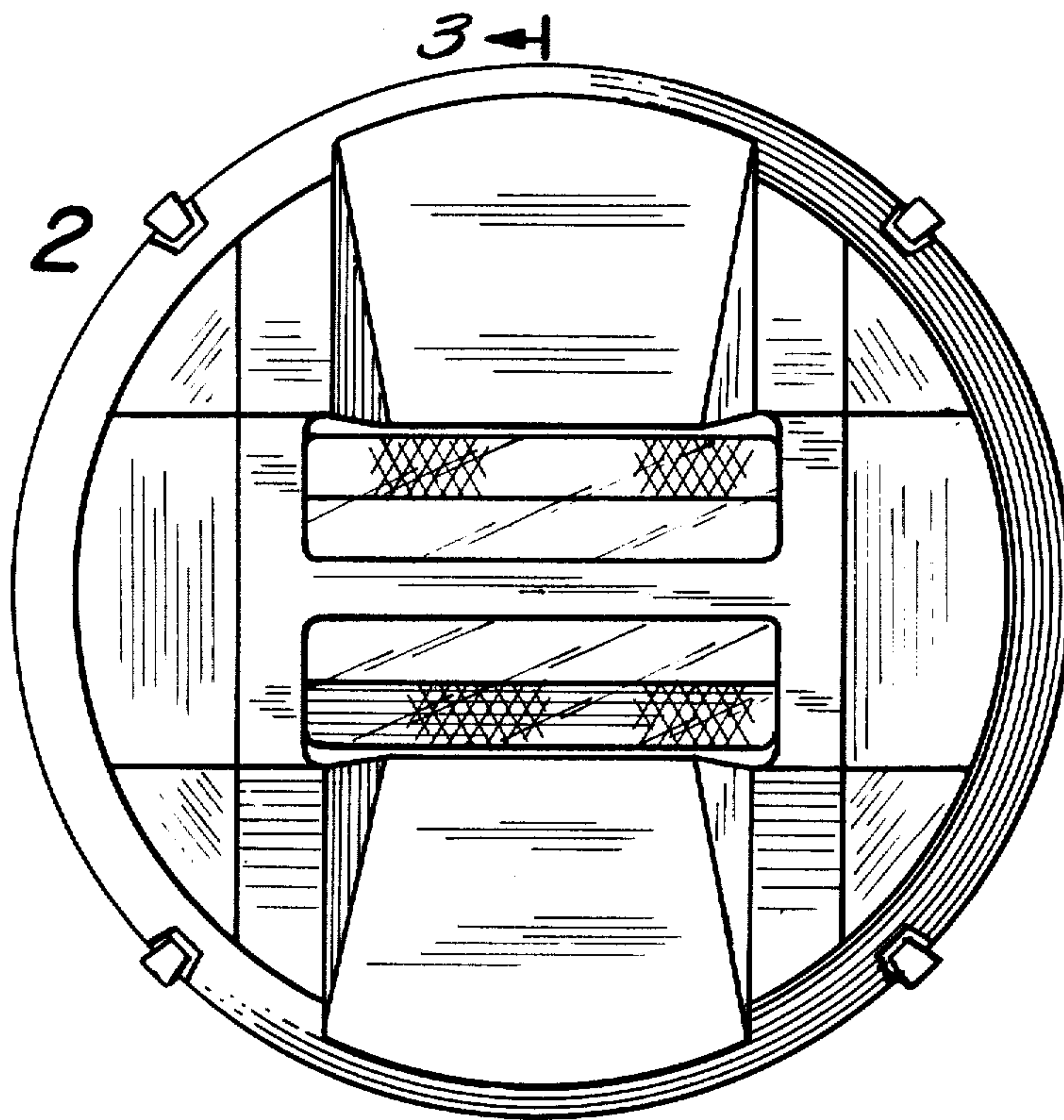


FIG. 3



FIG. 4

