

[54] BOTTLE CAP

[75] Inventor: Jan Berglund, Västra Frölunda, Sweden

[73] Assignee: AB Wicanders Korkfabriker, Sweden

[**] Term: 14 Years

[21] Appl. No.: 257,934

[22] Filed: Apr. 27, 1981

[51] Int. Cl. D9-07

[52] U.S. Cl. D9/438

[58] Field of Search D9/435, 438, 443, 454; 215/200, 295, 305

[56] References Cited

U.S. PATENT DOCUMENTS

D. 198,723	7/1964	Groves	D9/443
D. 200,884	4/1965	Hart	D9/438
3,446,382	5/1969	Koll et al.	215/254
3,473,685	10/1969	Karlan	D9/435 X
3,963,140	6/1976	Harding	215/254

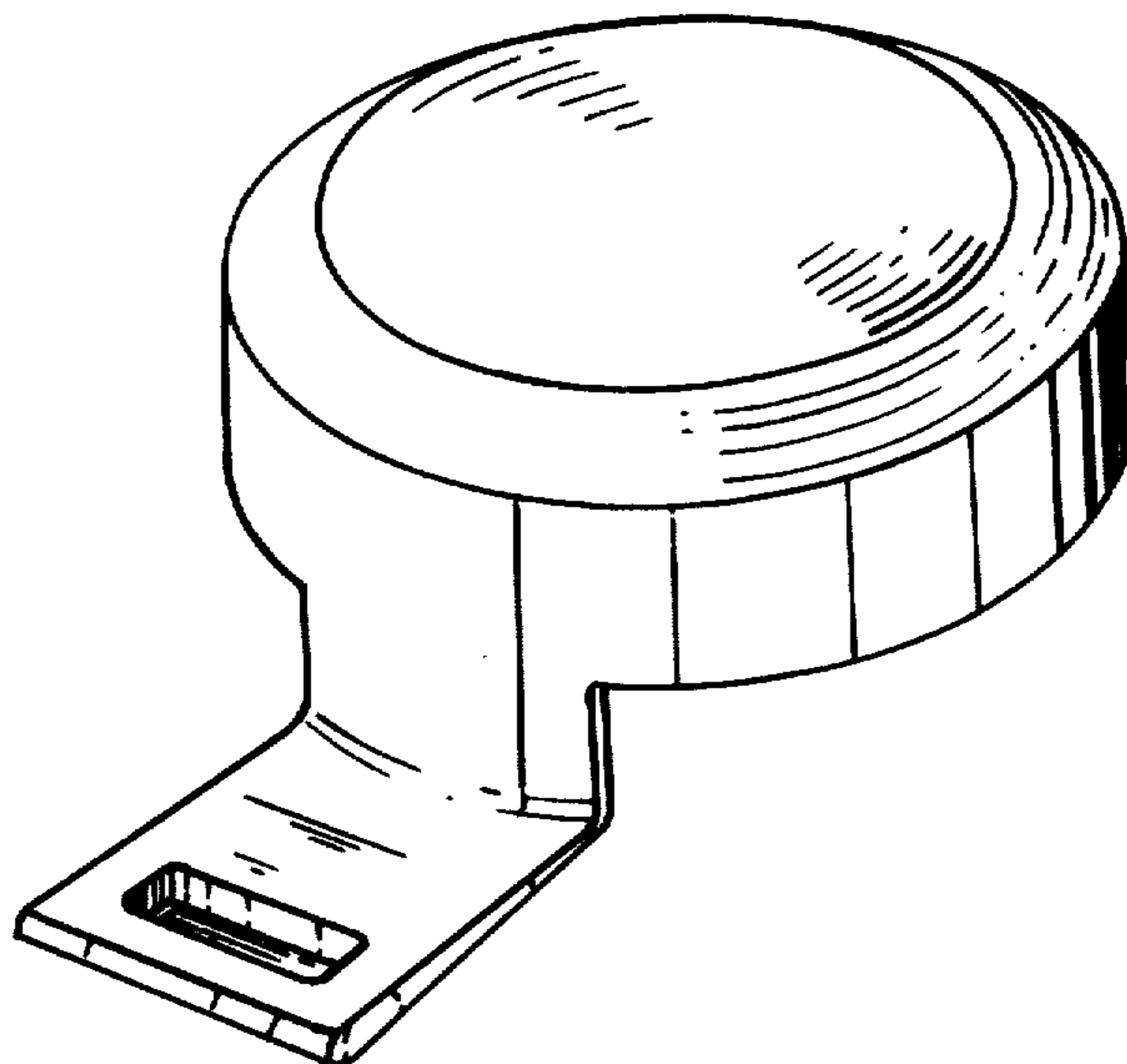
Primary Examiner—Robert C. Spangler
Attorney, Agent, or Firm—Lerner, David, Littenberg, Krumholz & Mentlik

[57] CLAIM

The ornamental design for a bottle cap, substantially as shown and described.

DESCRIPTION

FIG. 1 is a perspective view of a bottle cap showing my new design;
FIG. 2 is a right elevational view thereof;
FIG. 3 is a left elevational view thereof;
FIG. 4 is a rear elevational view thereof;
FIG. 5 is a front elevational view thereof;
FIG. 6 is a top plan view thereof;
FIG. 7 is a bottom plan view thereof;
FIG. 8 is a top perspective view of a bottle cap showing a second embodiment of my new design;
FIG. 9 is a bottom perspective view of such second embodiment;
FIG. 10 is a top perspective view of a bottle cap showing a third embodiment of my new design;
FIG. 11 is a bottom perspective view of such third embodiment;
FIG. 12 is a top perspective view of a bottle cap showing a fourth embodiment of my new design; and
FIG. 13 is a bottom perspective view of such fourth embodiment.



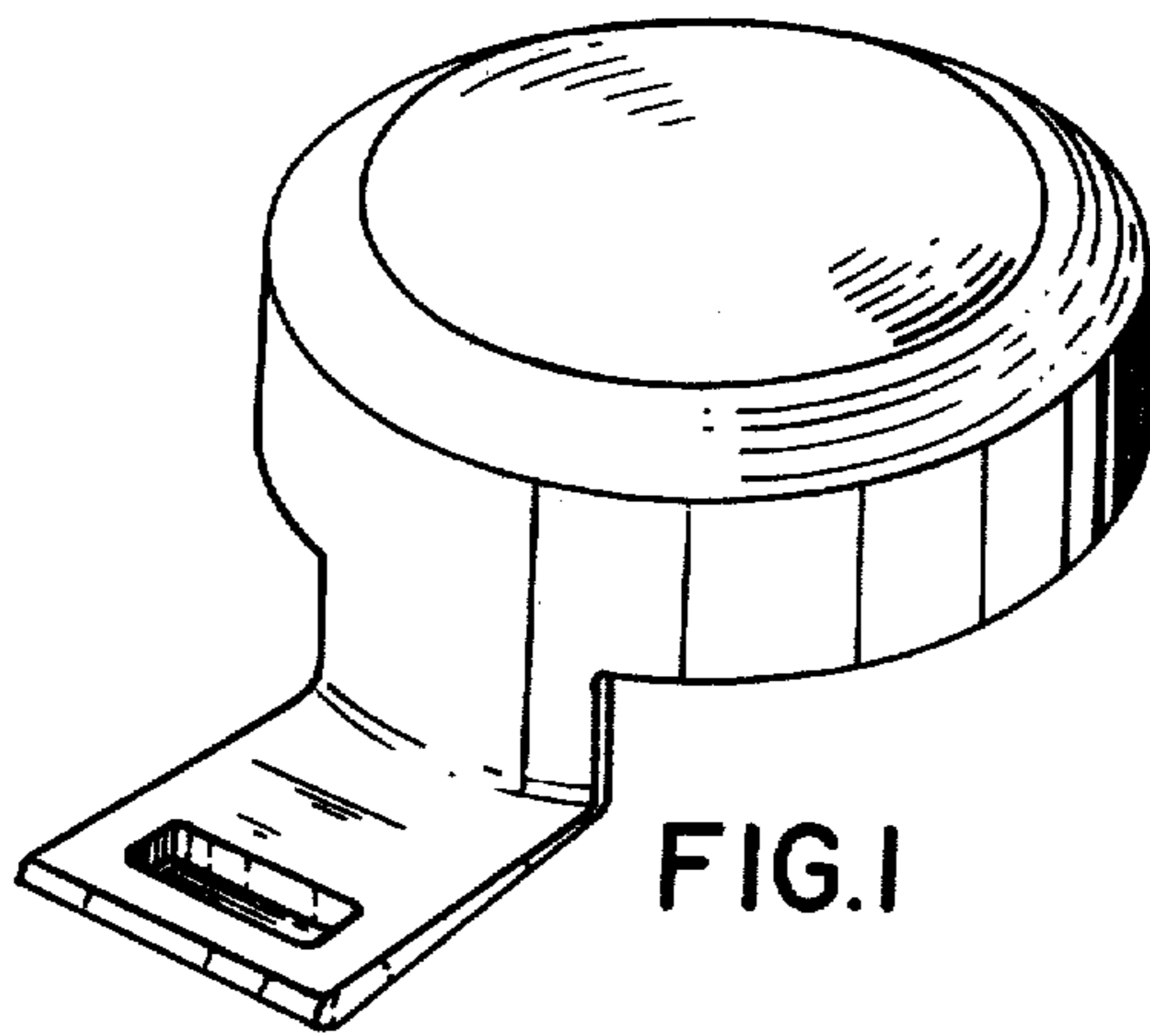


FIG. 1

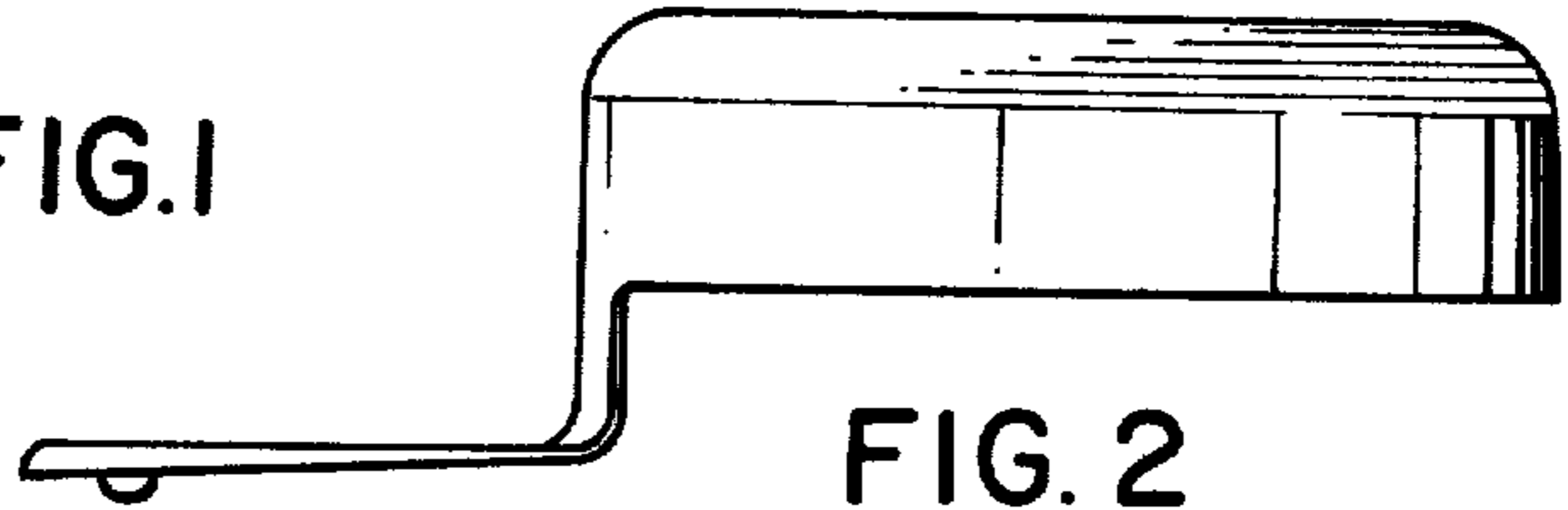


FIG. 2

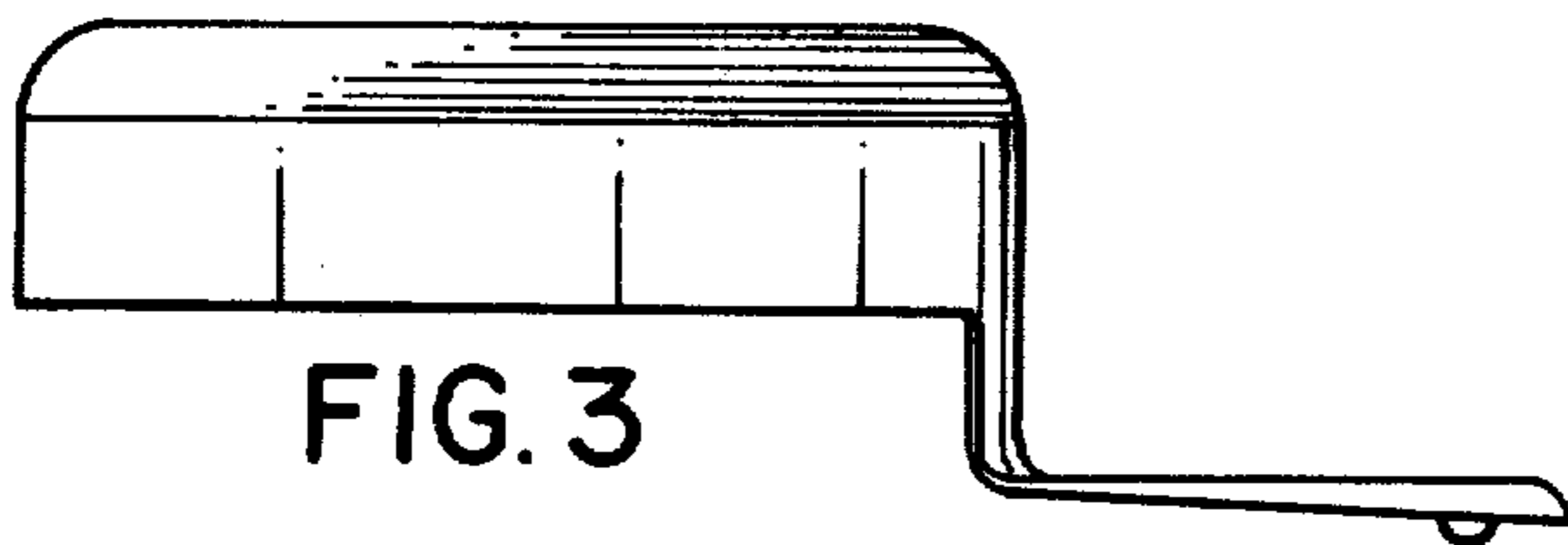


FIG. 3

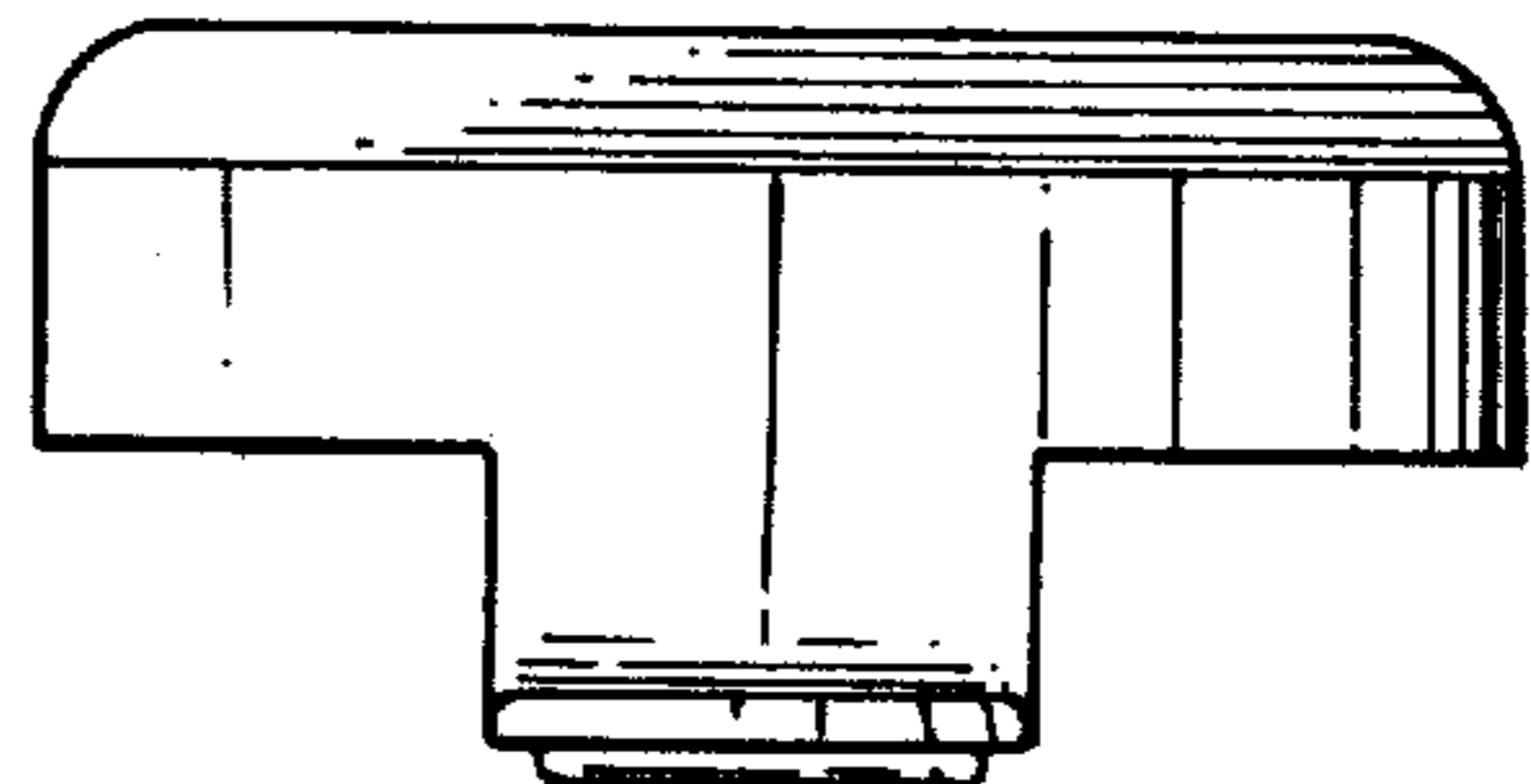


FIG. 4

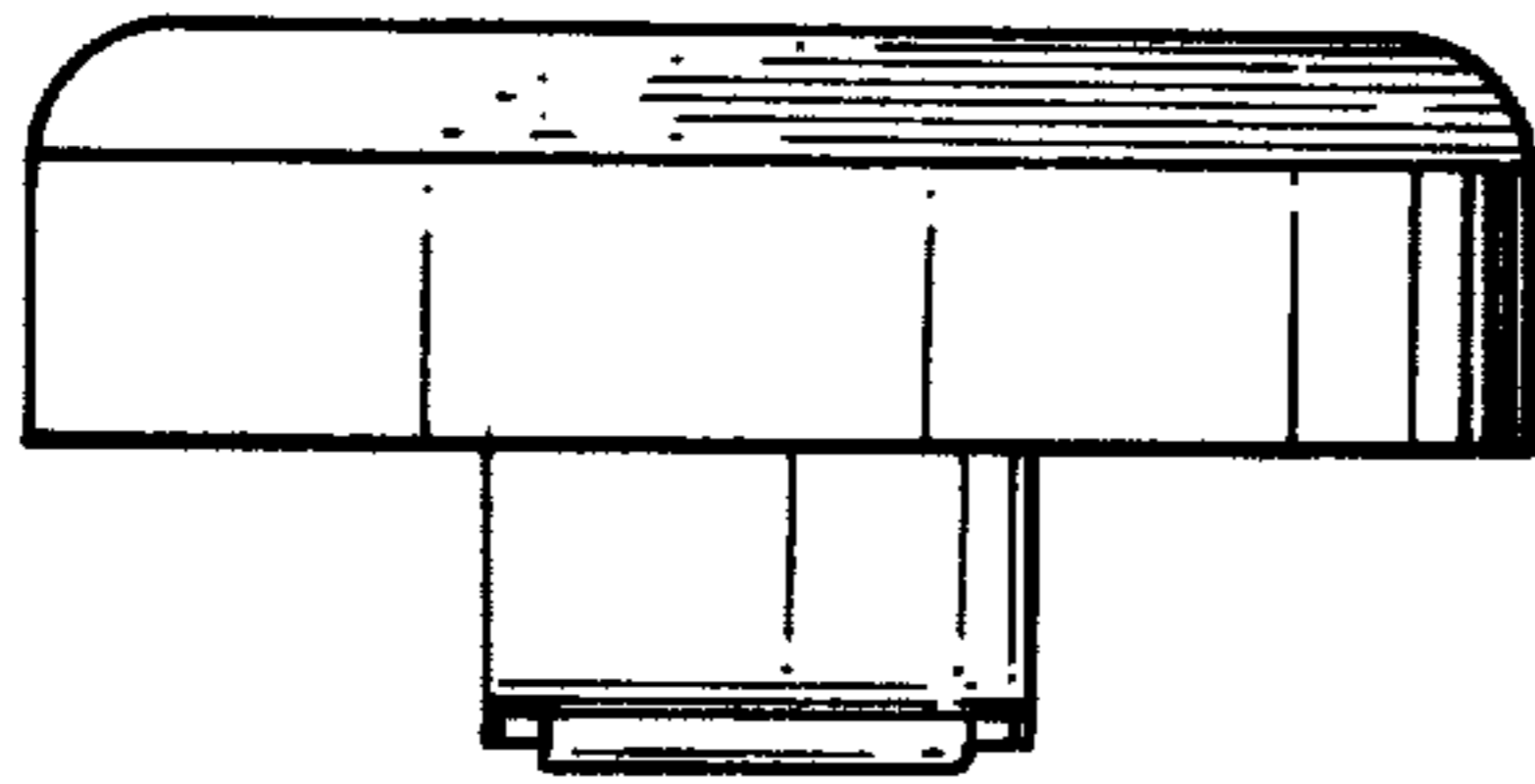


FIG. 5

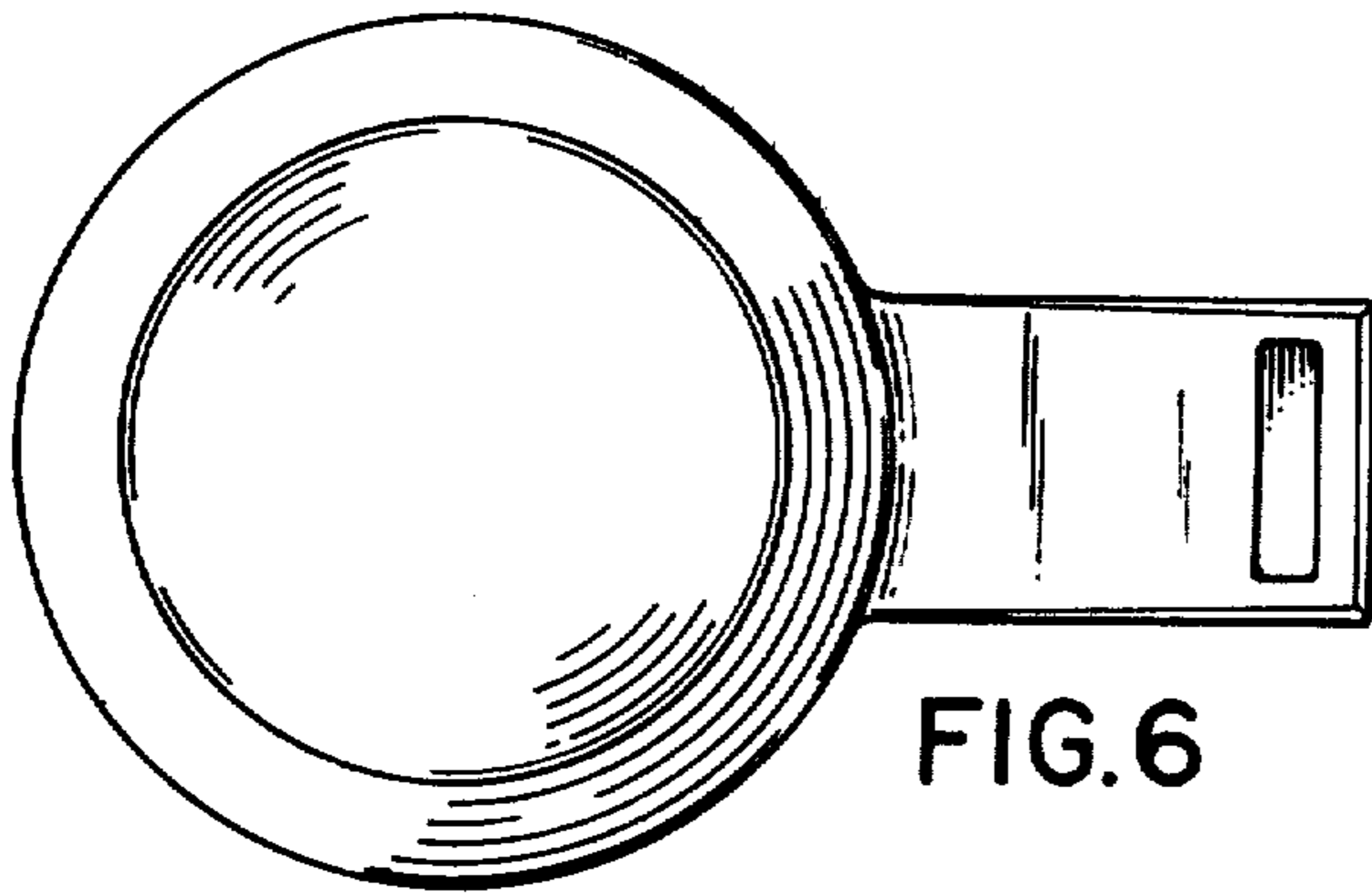


FIG. 6

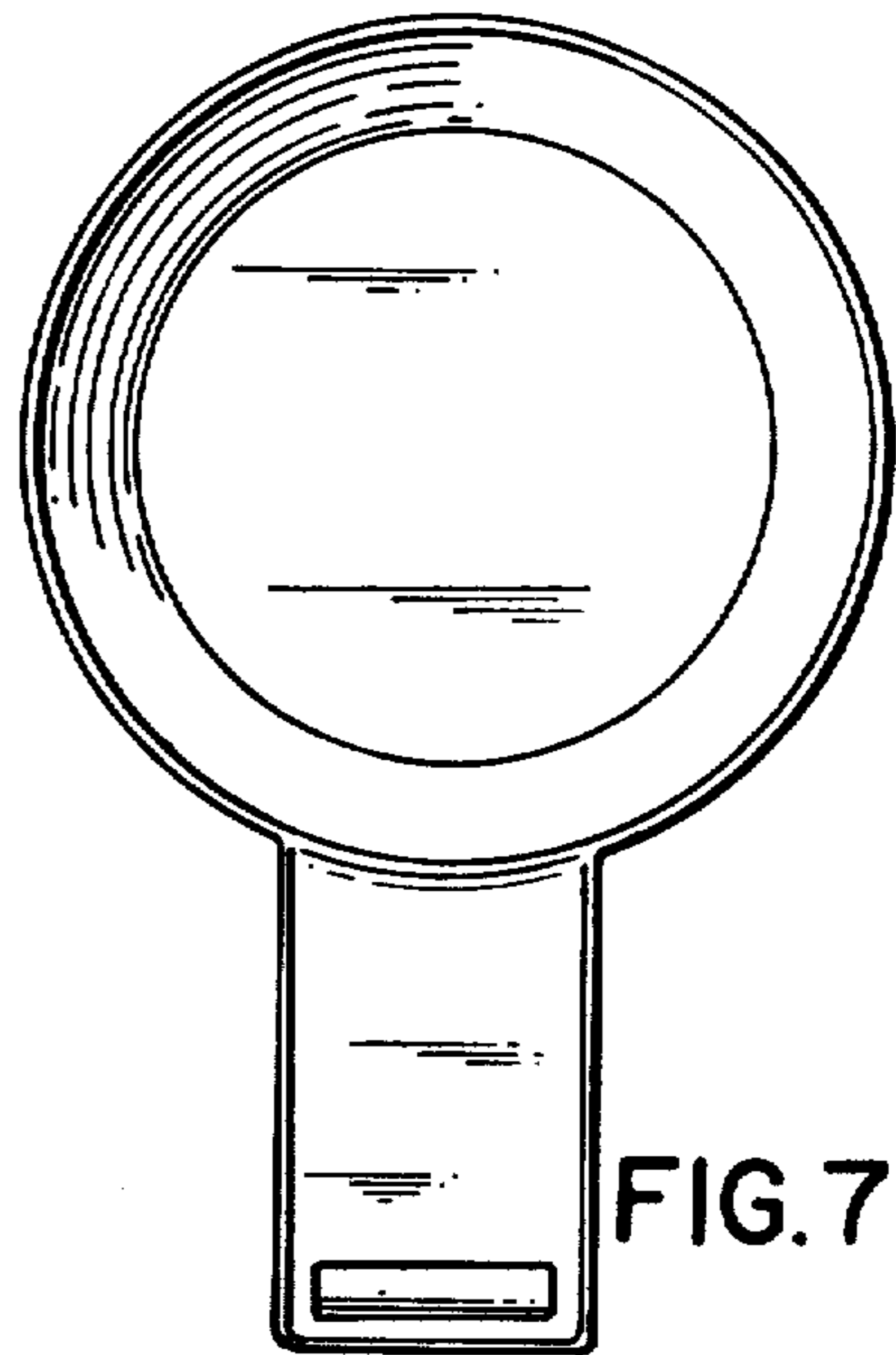


FIG. 7

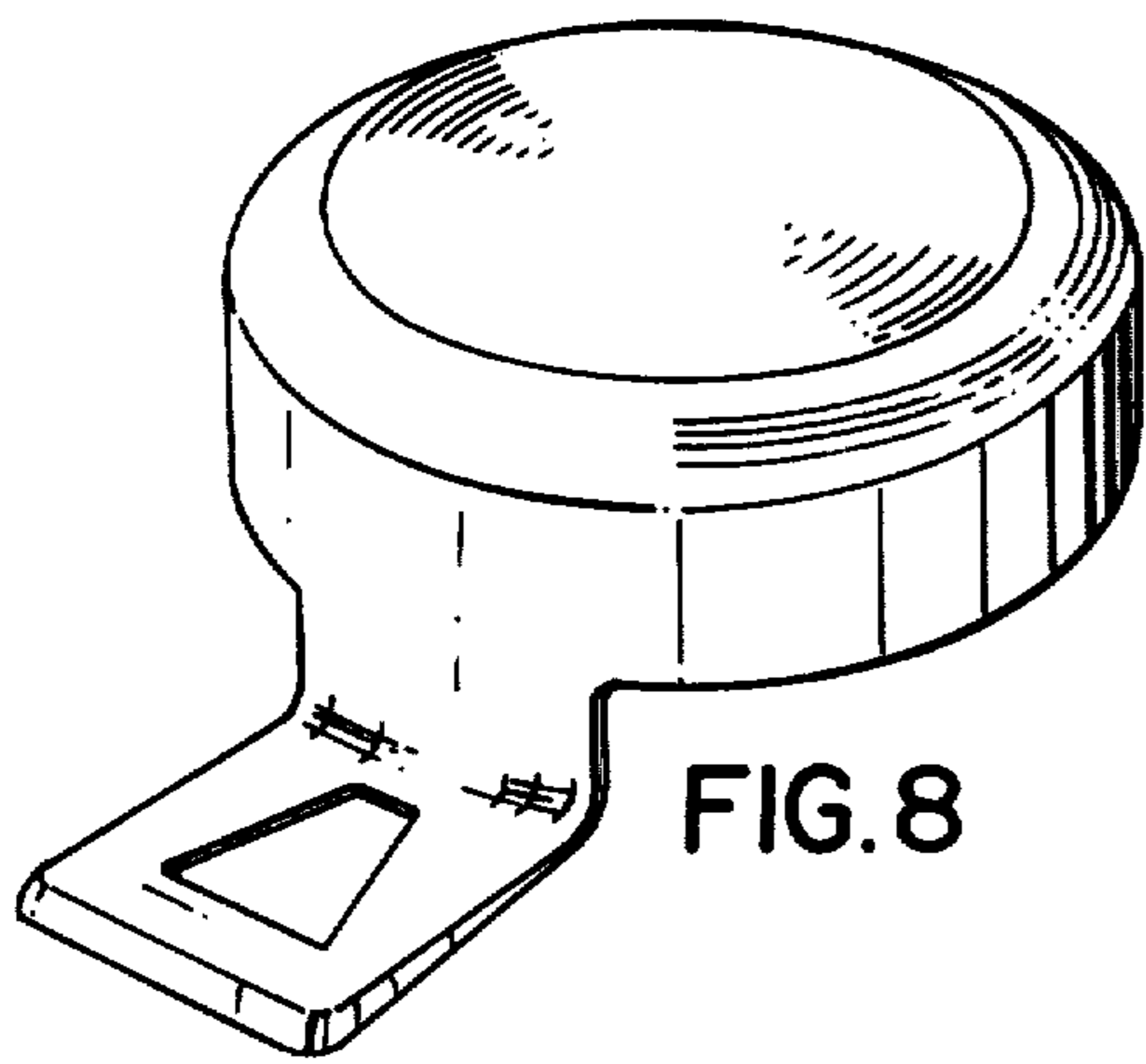


FIG. 8

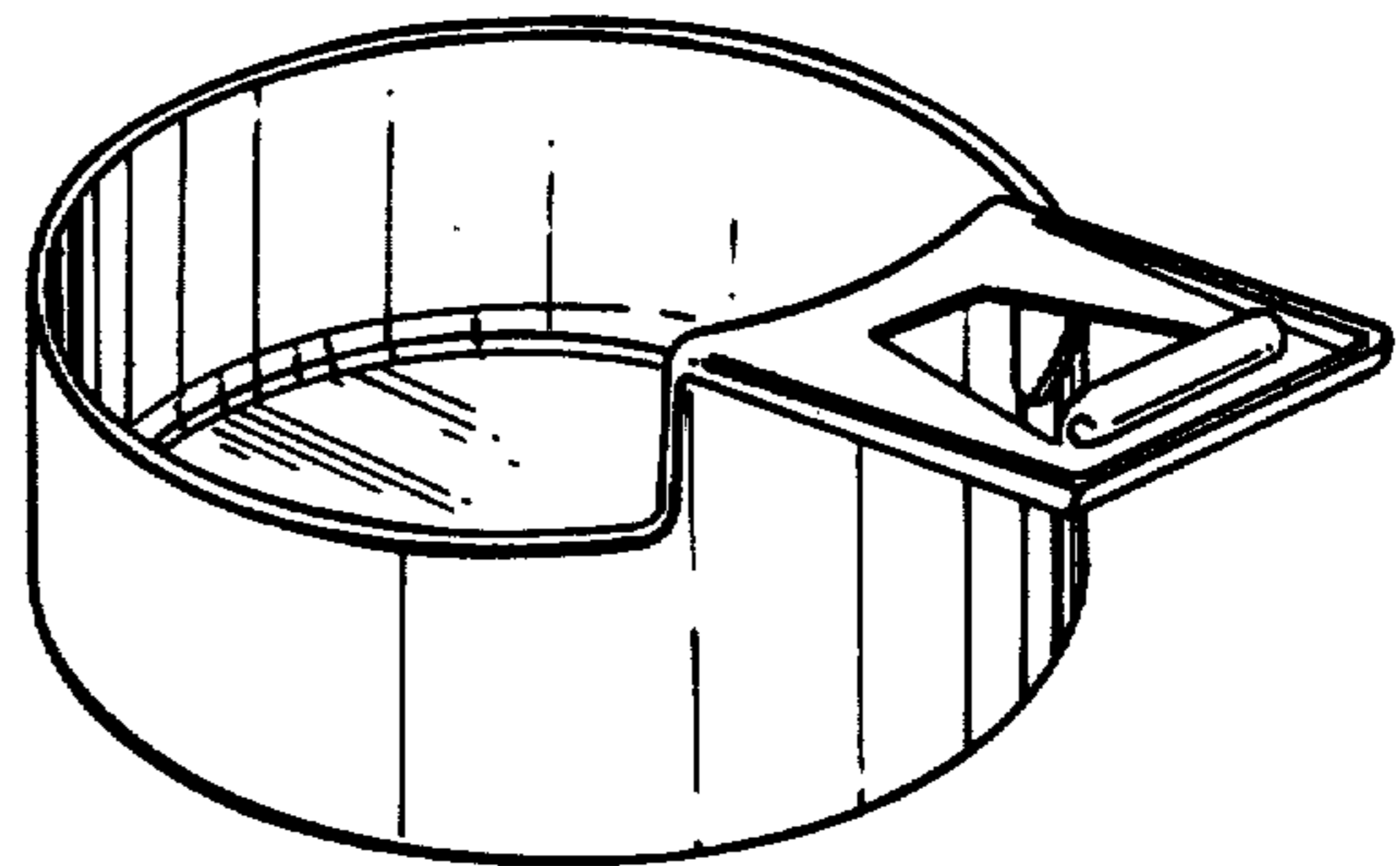


FIG. 9

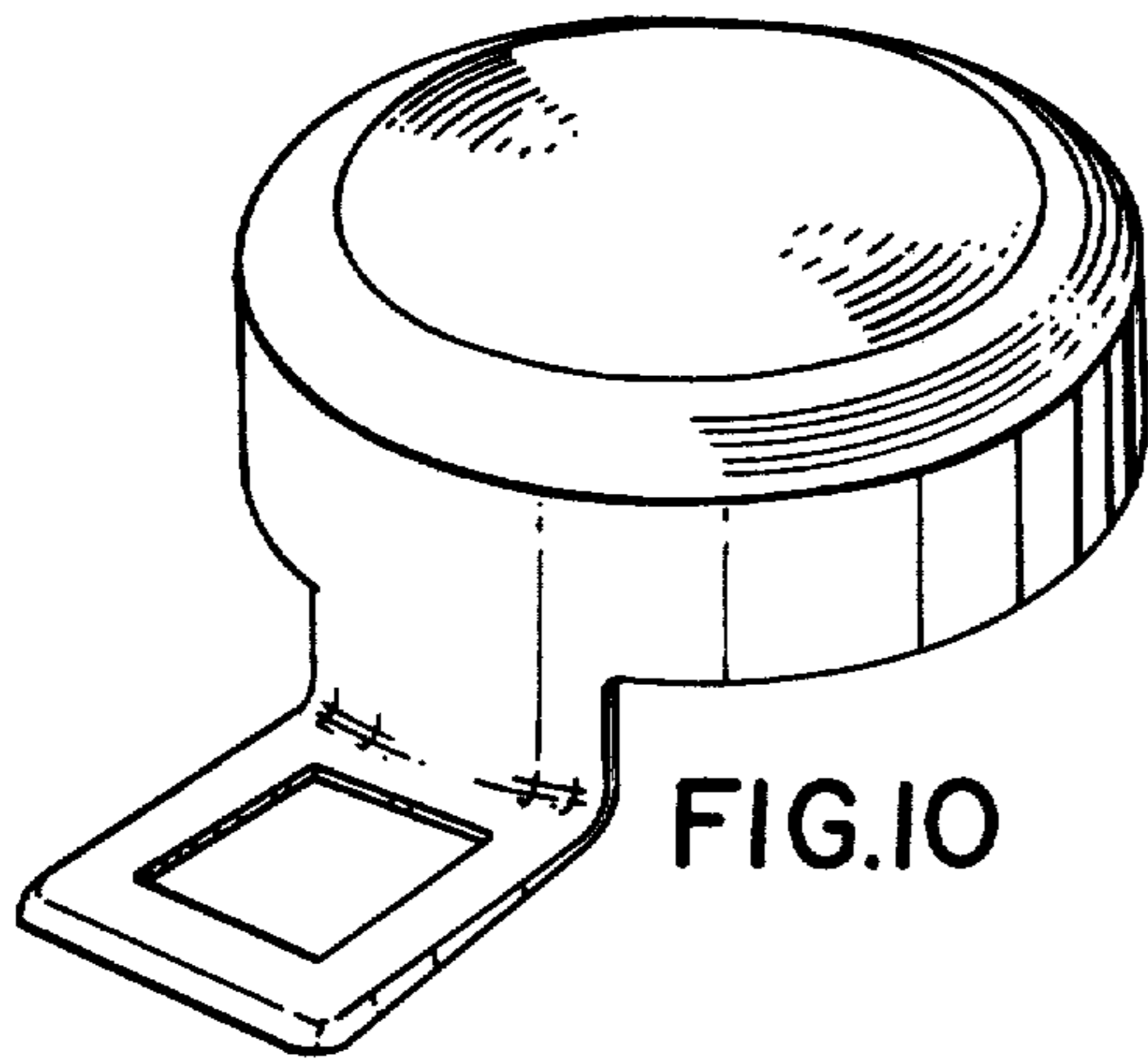


FIG. 10

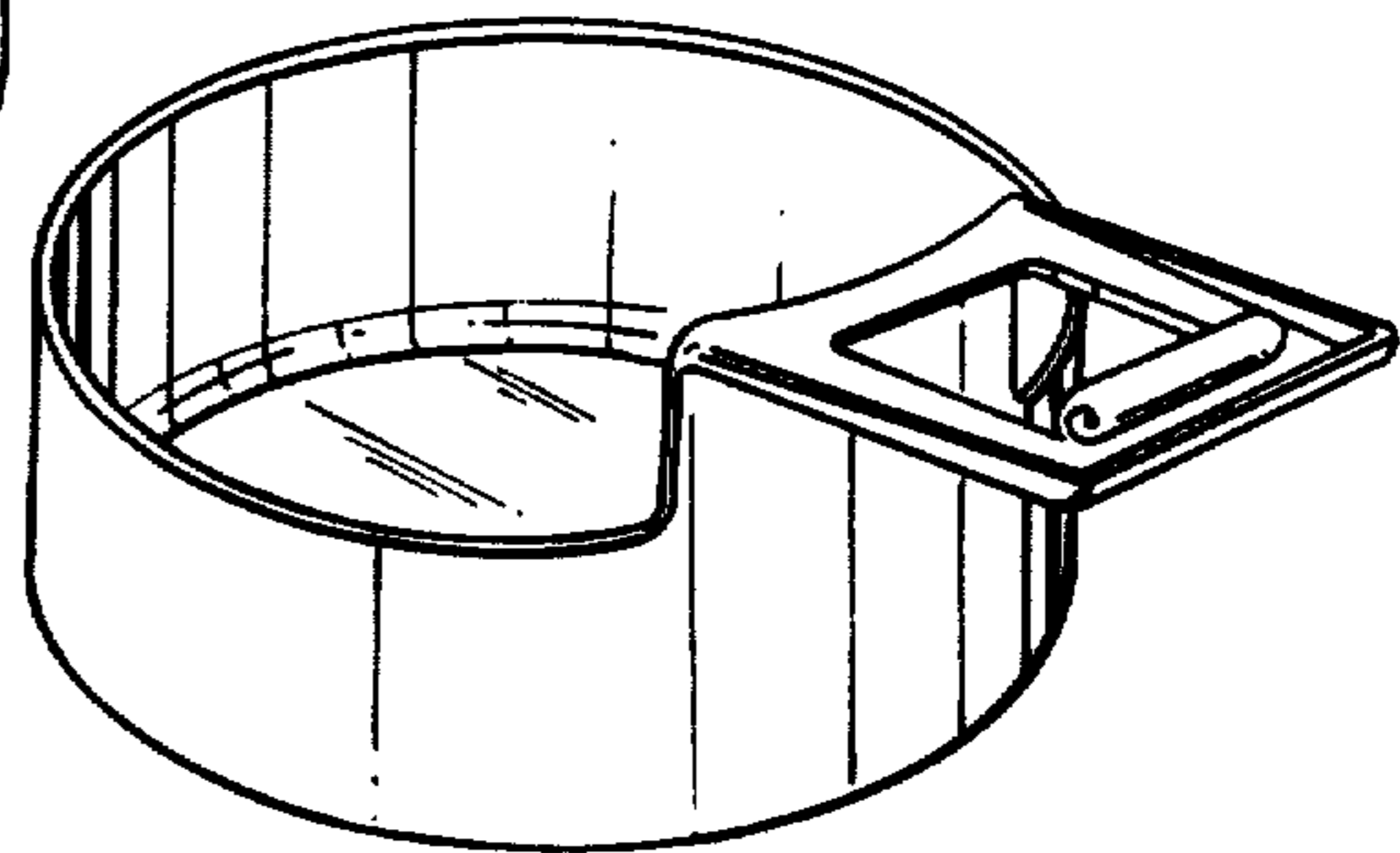


FIG. 11

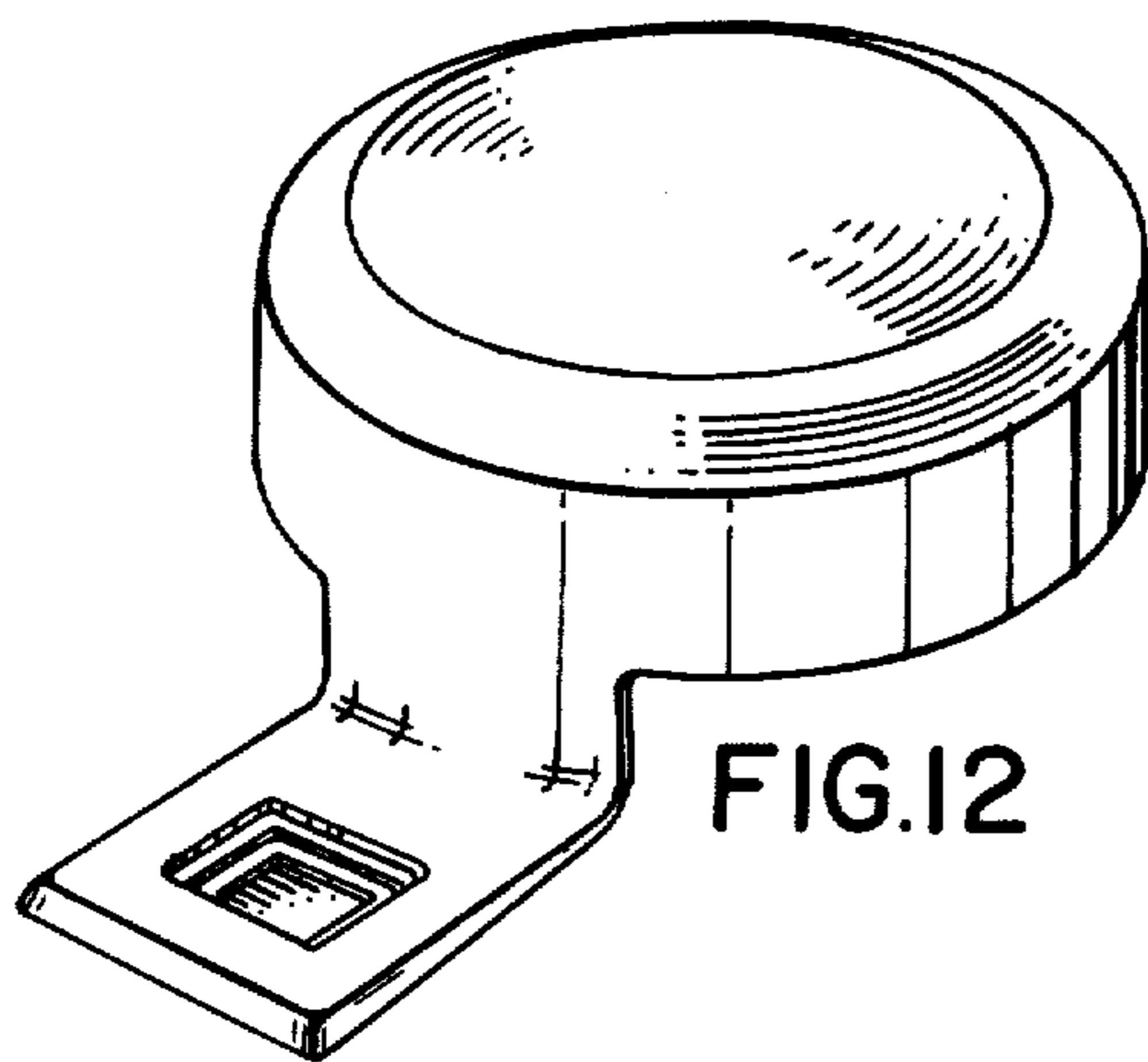


FIG. 12

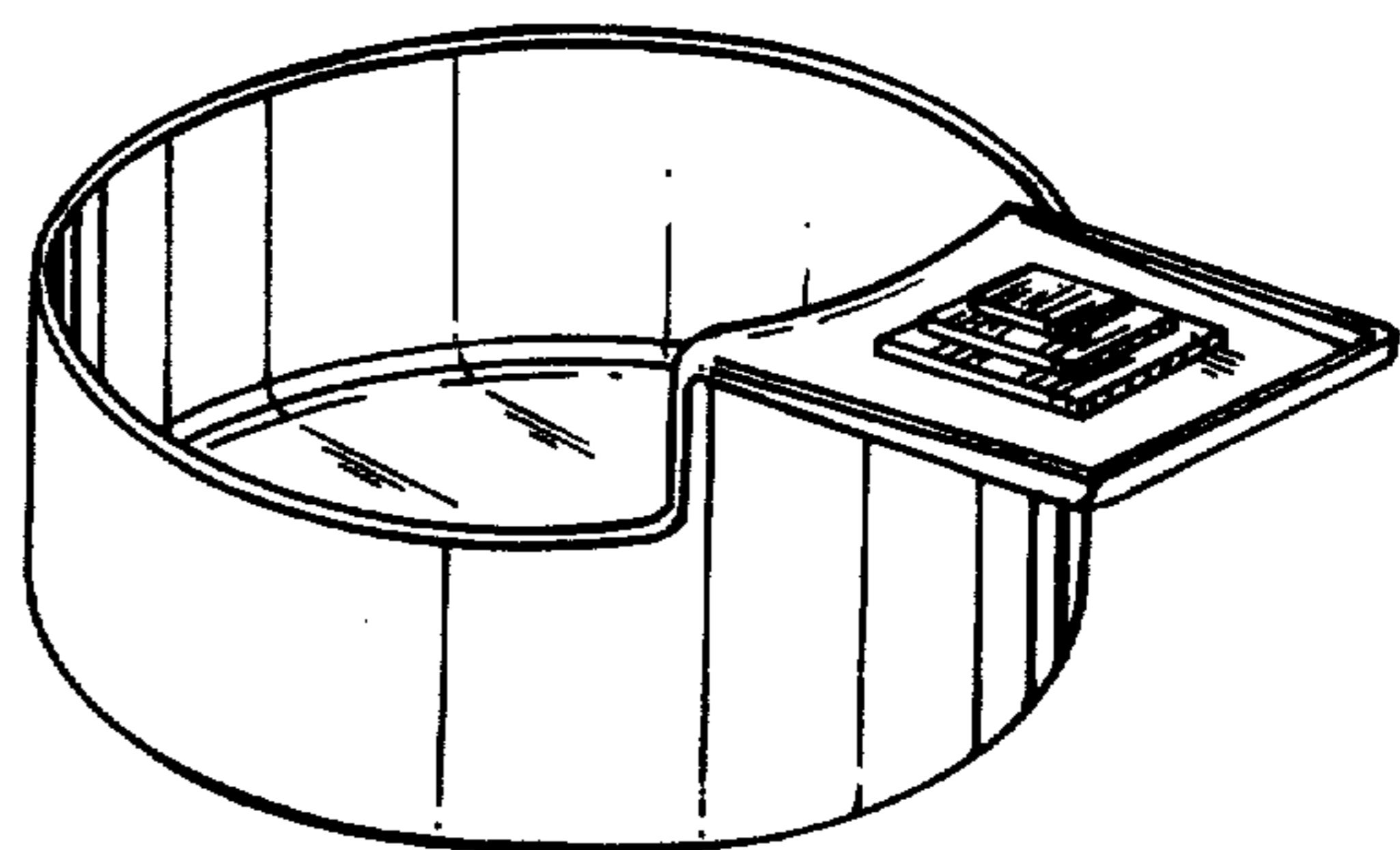


FIG. 13