

[54] DISPENSING CONTAINER FOR LIQUIDS

[75] Inventors: John W. McDonald, Parkville; John M. B. Ford, Lee's Summit, both of Mo.

[73] Assignee: Realex Corporation, Kansas City, Mo.

[**] Term: 14 Years

[21] Appl. No.: 245,634

[22] Filed: Mar. 19, 1981

[51] Int. Cl. D9-01

[52] U.S. Cl. D9/376

[58] Field of Search D9/360, 374, 376, 402, D9/378, 381, 383, 448, 449; 215/1 R, 1 C

[56] References Cited

U.S. PATENT DOCUMENTS

- D. 94,036 12/1934 Loesch D9/448
- D. 213,170 1/1969 Muller et al. D9/300

- D. 216,581 2/1970 Hills D9/376
- D. 219,368 12/1970 Campbell D9/374
- D. 224,882 10/1972 Alpern D9/300
- D. 235,623 7/1975 Lloveras D9/376
- D. 257,952 1/1981 Torongo, Jr. D9/376

Primary Examiner—Robert C. Spangler
Attorney, Agent, or Firm—Schmidt, Johnson, Hovey & Williams

[57] CLAIM

The ornamental design for a dispensing container for liquids, as shown and described.

DESCRIPTION

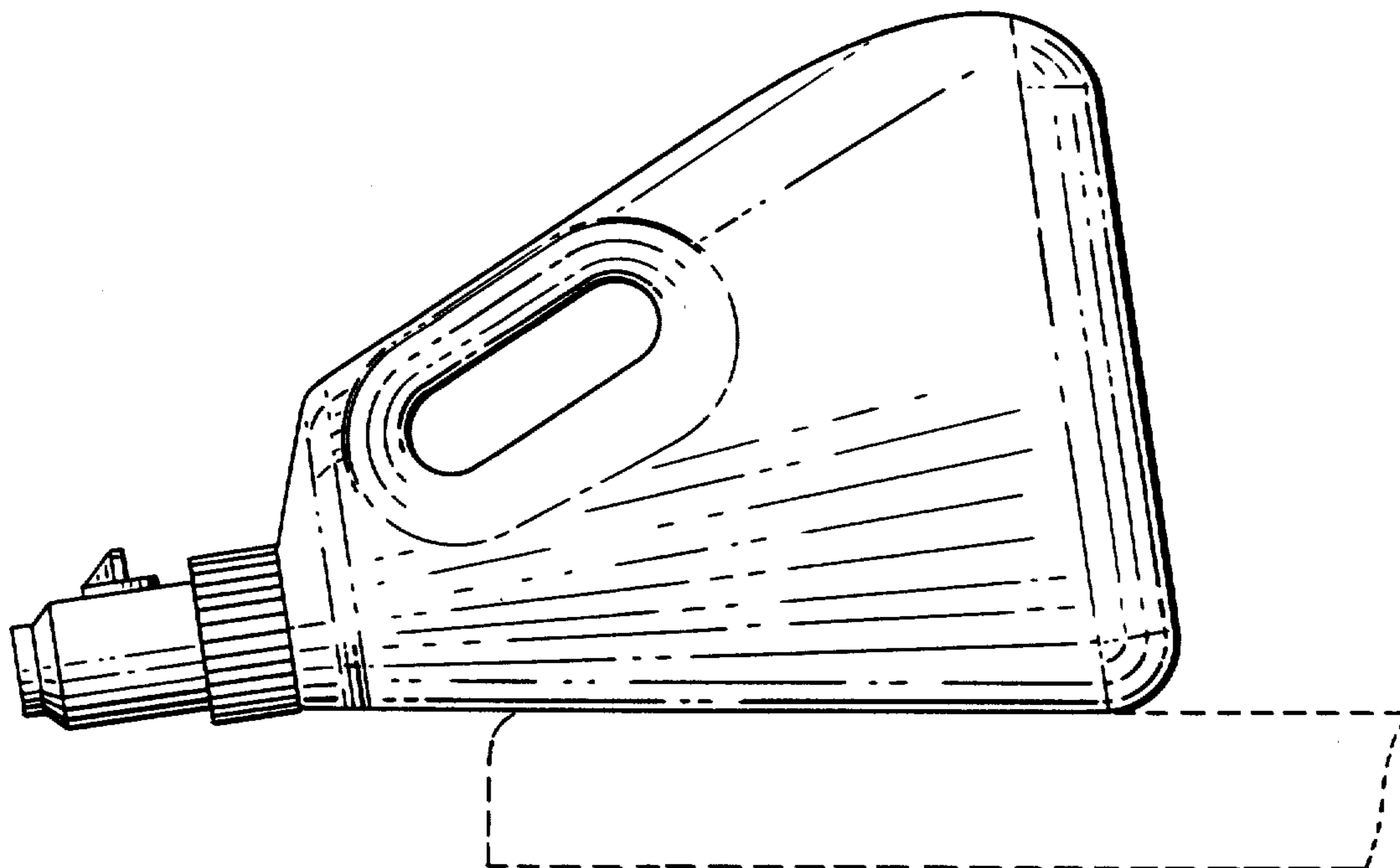
FIG. 1 is a side elevational view of a dispensing container for liquids showing our new design with a table being shown in broken lines for illustrative purposes only;

FIG. 2 is a front elevational view thereof rotated 90° from the FIG. 1 position and standing upright;

FIG. 3 is a top plan view thereof;

FIG. 4 is a rear side elevational view thereof; and

FIG. 5 is a bottom plan view thereof.



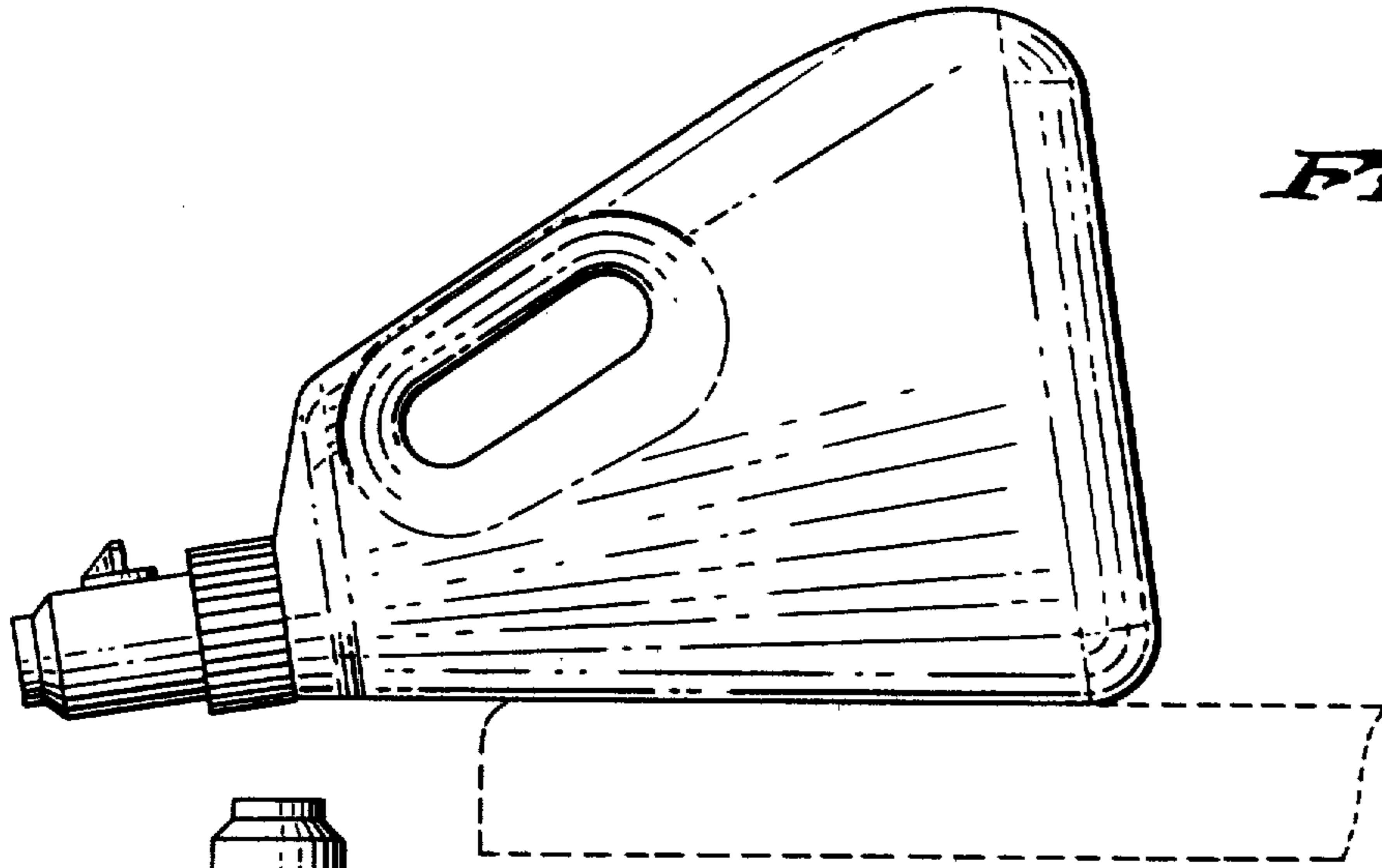


Fig. 1.



Fig. 2.

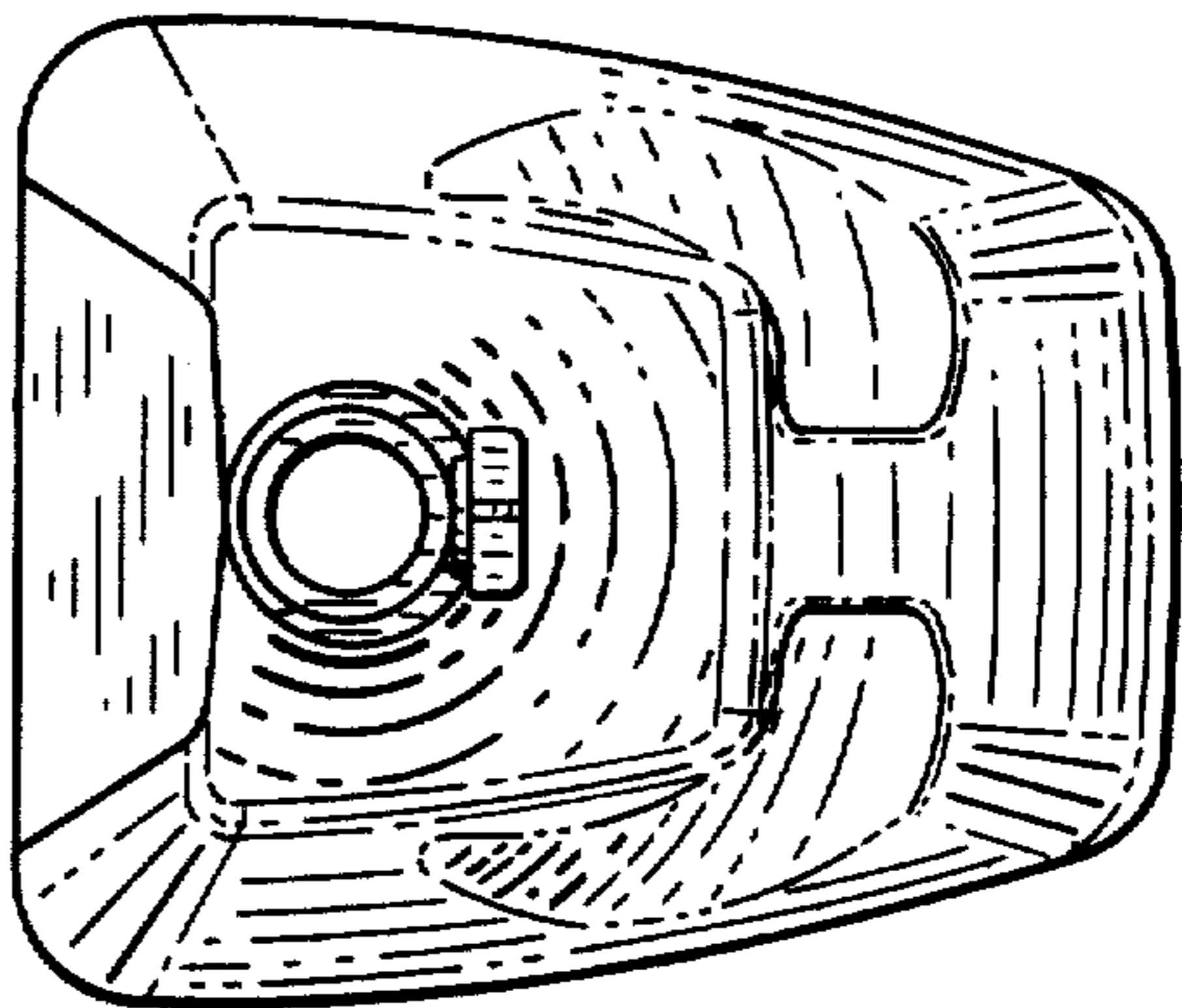


Fig. 3.

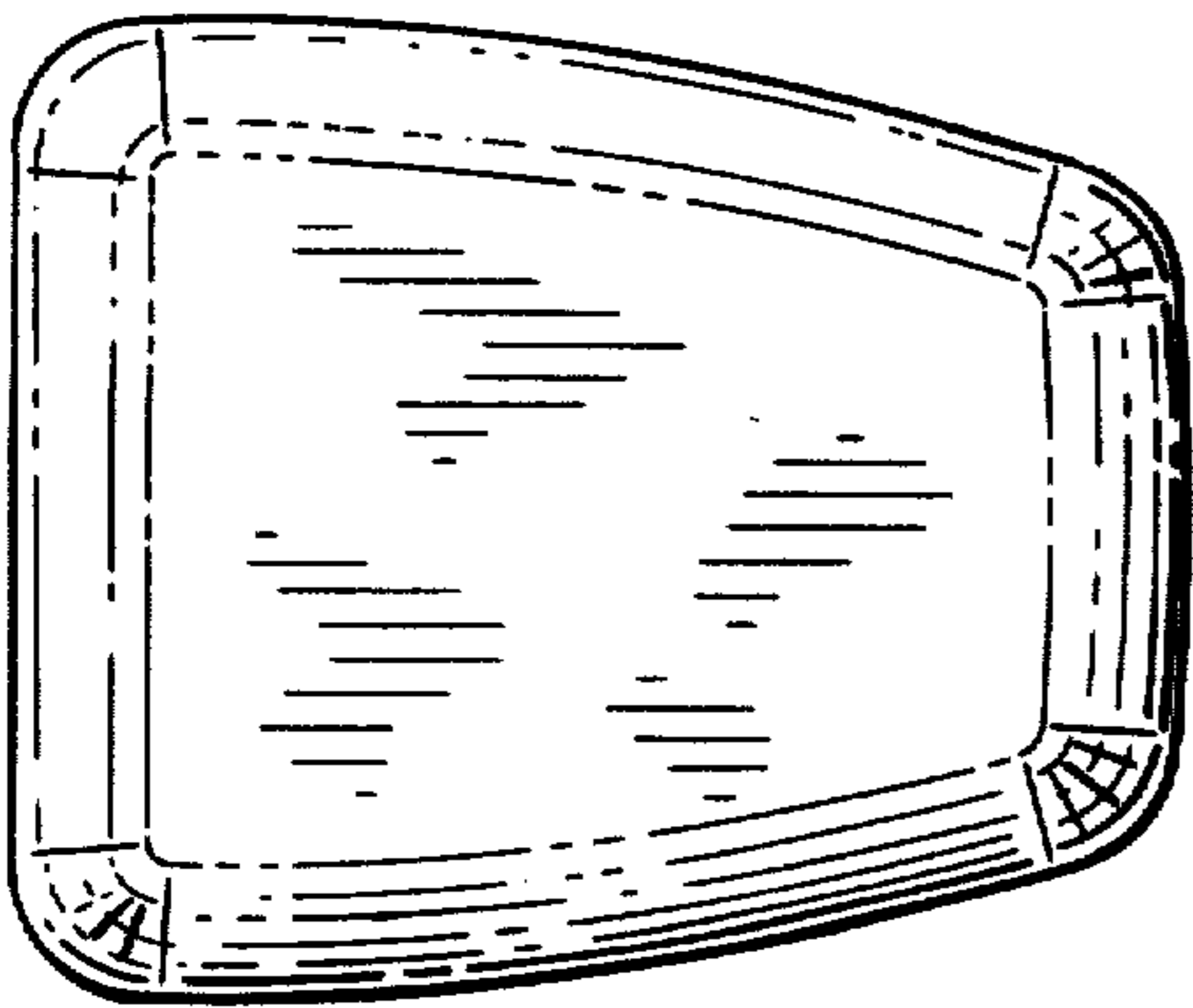


Fig. 5.

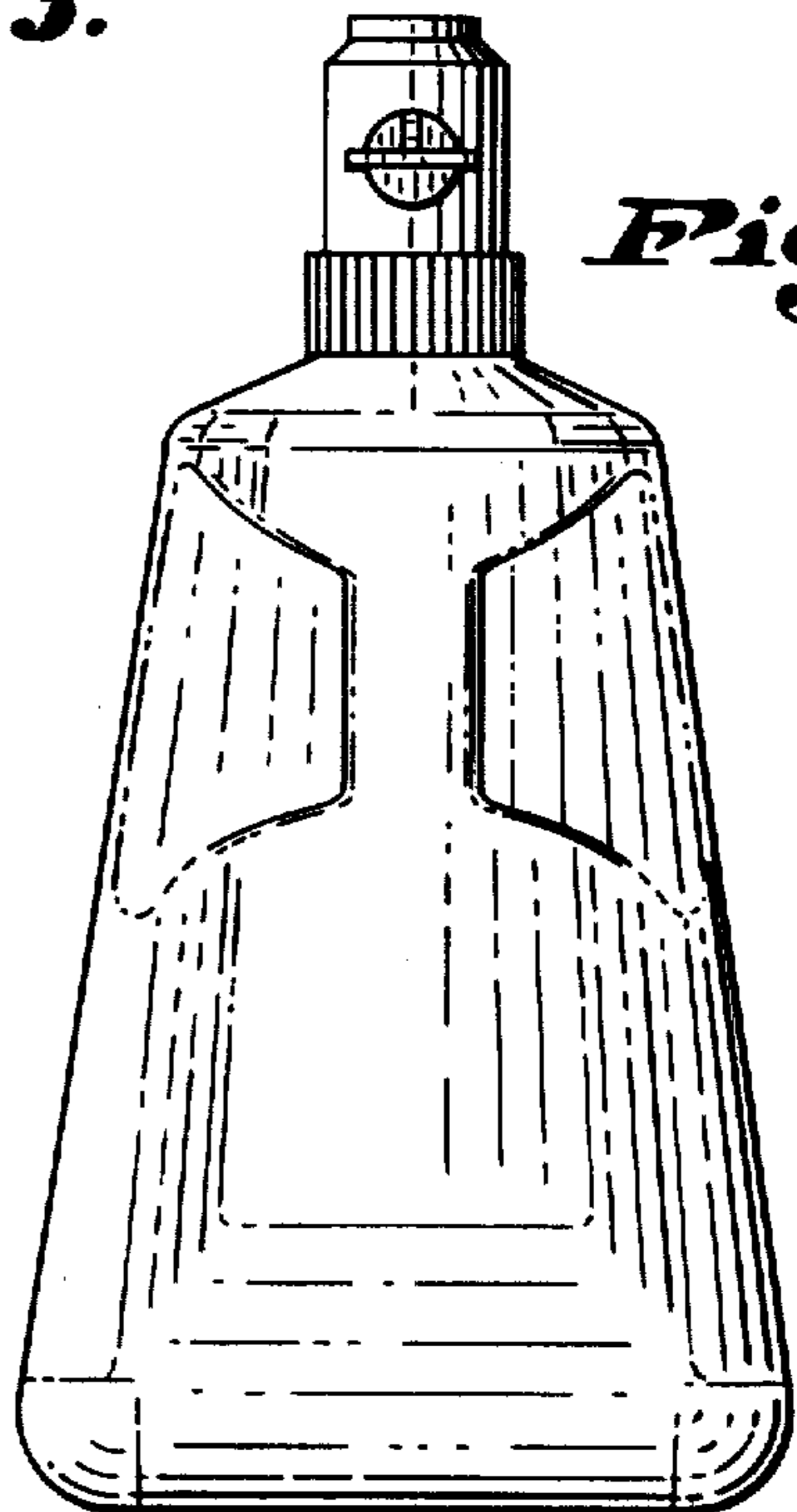


Fig. 4.