

[54] **DISPOSABLE PLASTIC BAG**

[75] **Inventors:** Neville Stoute, 330 W. 58th St., New York, N.Y. 10019; Robert J. Pennise, 2522 Lenhart Rd., Colmar, Pa. 18915

[73] **Assignees:** Neville Stoute; Robert J. Pennise; Richard M. Bird; James A. Falborn, all of New York, N.Y.

[**] **Term:** 14 Years

[21] **Appl. No.:** 126,146

[22] **Filed:** Feb. 29, 1980

[51] **Int. Cl.** D9-06

[52] **U.S. Cl.** D9/305

[58] **Field of Search** D9/305; 150/1, 0.5, 150/1.7, 1.8; 229/53, 62, 63, 3.5 R

[56] **References Cited**

U.S. PATENT DOCUMENTS

3,010,640 11/1961 Kugler 229/63

3,490,507 1/1970 Grashorn 150/1
 4,139,037 2/1979 McGuigan 248/100

FOREIGN PATENT DOCUMENTS

1815905 9/1970 Fed. Rep. of Germany 229/63
 2331489 6/1977 France 229/63

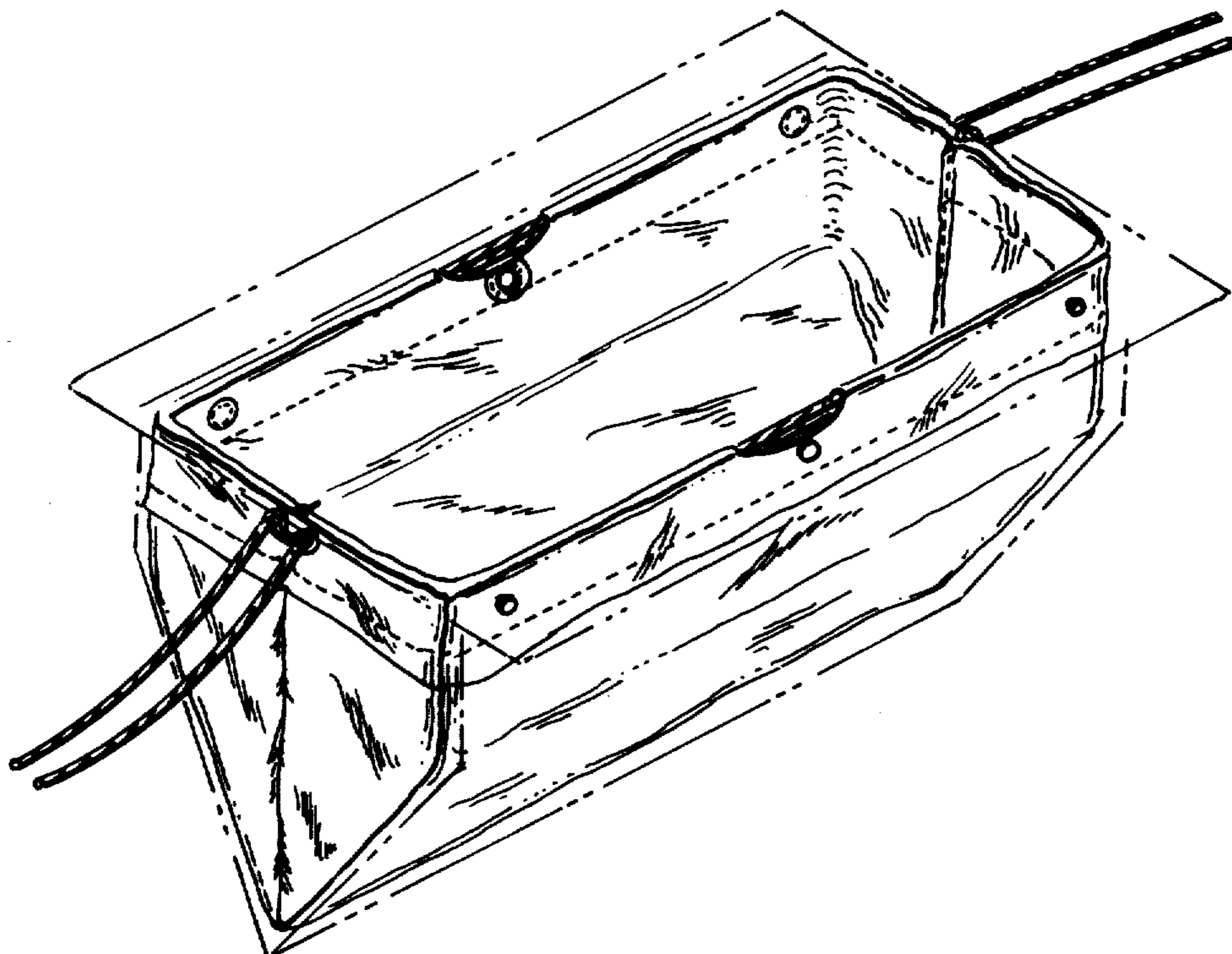
Primary Examiner—Catherine E. Kemper
Attorney, Agent, or Firm—Ladas & Parry

[57] **CLAIM**

The ornamental design for disposable plastic bag, as shown and described.

DESCRIPTION

FIG. 1 is a side elevational view of a disposable plastic bag, showing our new design;
 FIG. 2 is a top plan view thereof;
 FIG. 3 is an end elevational view thereof;
 FIG. 4 is a top plan view thereof;
 FIG. 5 is a sectional view taken along line 5-5 of FIG. 4;
 FIG. 6 is a perspective view thereof.



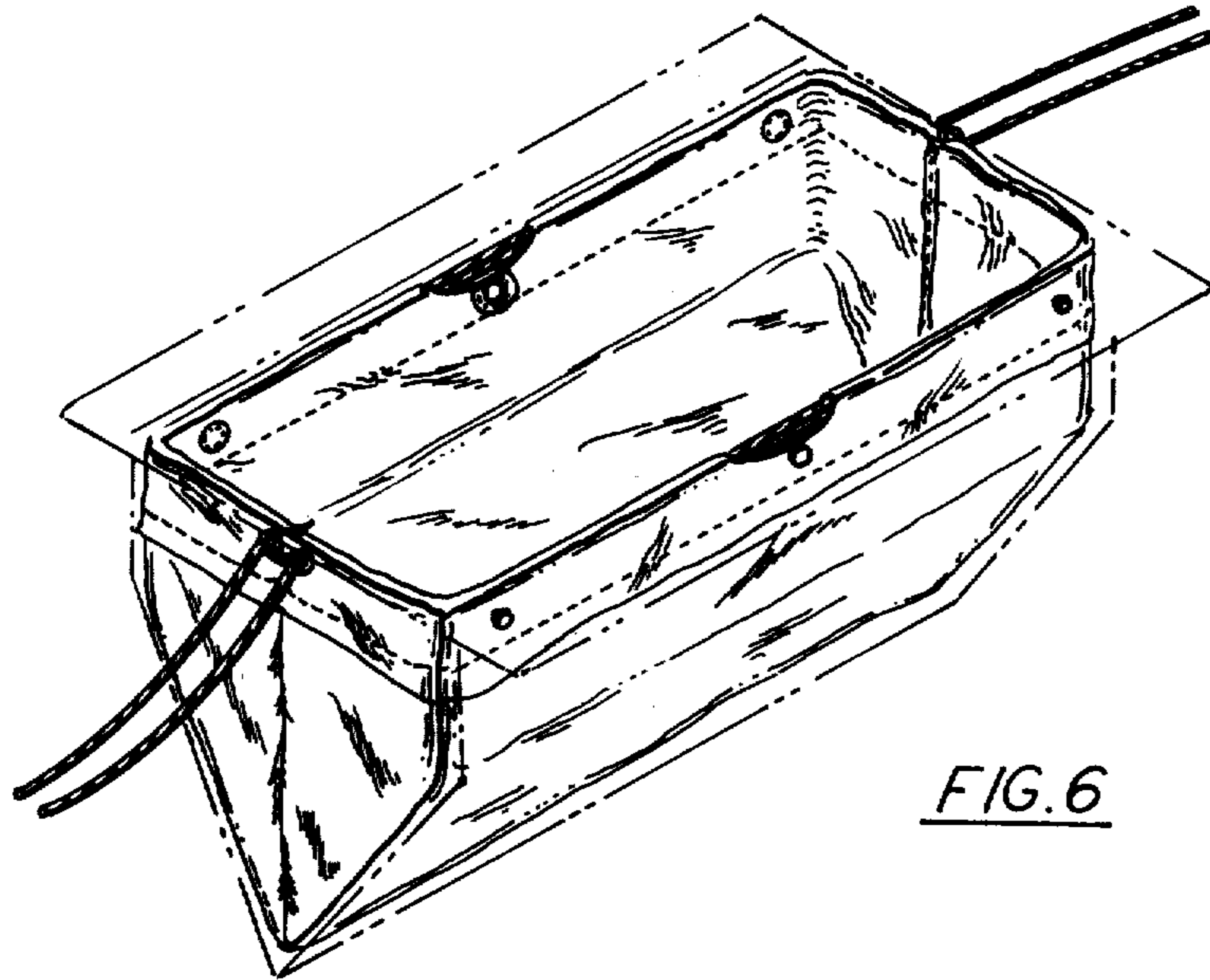


FIG. 6



FIG. 2



FIG. 3

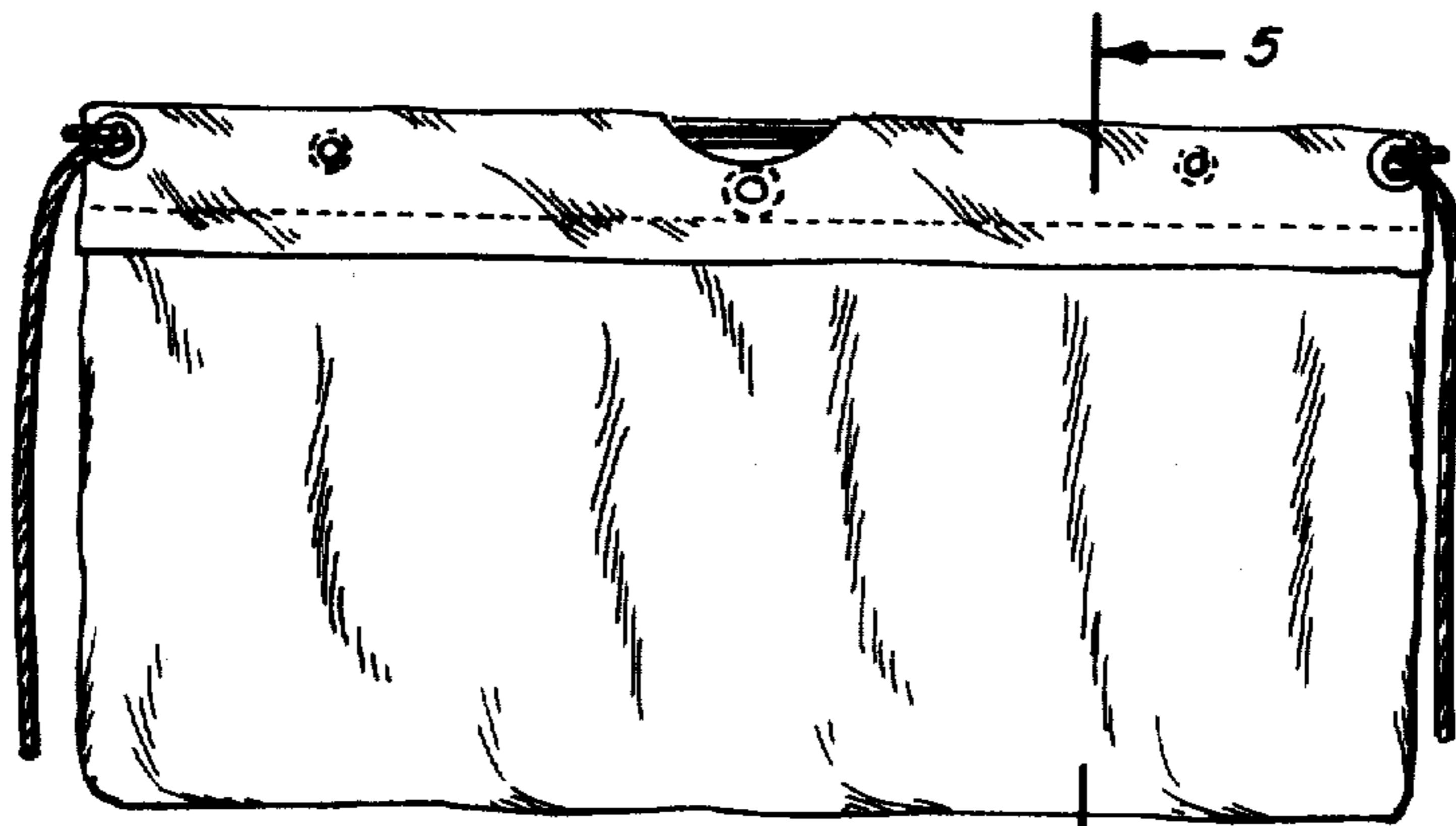


FIG. 1

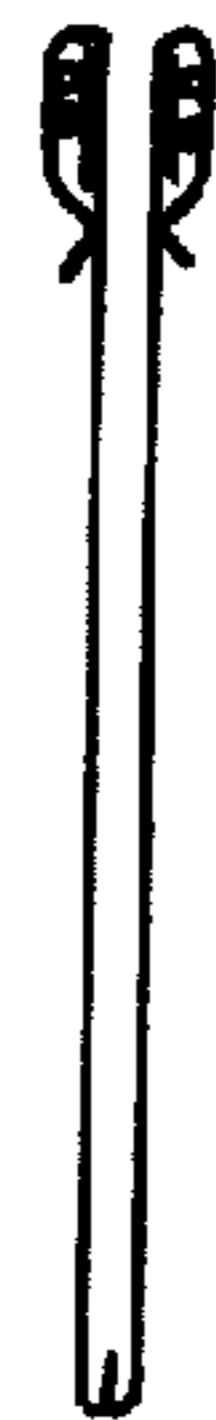


FIG. 5

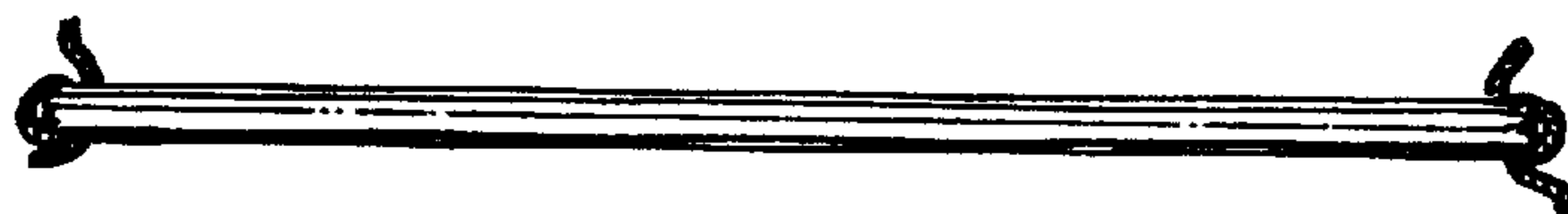


FIG. 4