

[54] HANGER

[76] Inventor: Janusz Morawski, P.O. Box 562,
Station P, Toronto, Ontario, Canada

[**] Term: 14 Years

[21] Appl. No.: 179,217

[22] Filed: Aug. 18, 1980

[51] Int. Cl. D6-08; D9-99

[52] U.S. Cl. D6/247; D6/113;
D9/457

[58] Field of Search D6/113, 247, 251;
206/491, 806; D8/373; 223/87; D9/434, 457

[56] References Cited

U.S. PATENT DOCUMENTS

D. 193,256	7/1962	Silver	D6/251
D. 235,316	6/1975	Wells	D6/113
D. 239,608	4/1976	Wells	D9/457
2,910,214	10/1959	Gouner	223/87

3,061,154	10/1962	Connall	223/87
3,841,478	10/1974	Wells et al.	206/491
3,862,687	1/1975	Pirman	223/87
4,219,140	8/1980	Simonoff	223/87

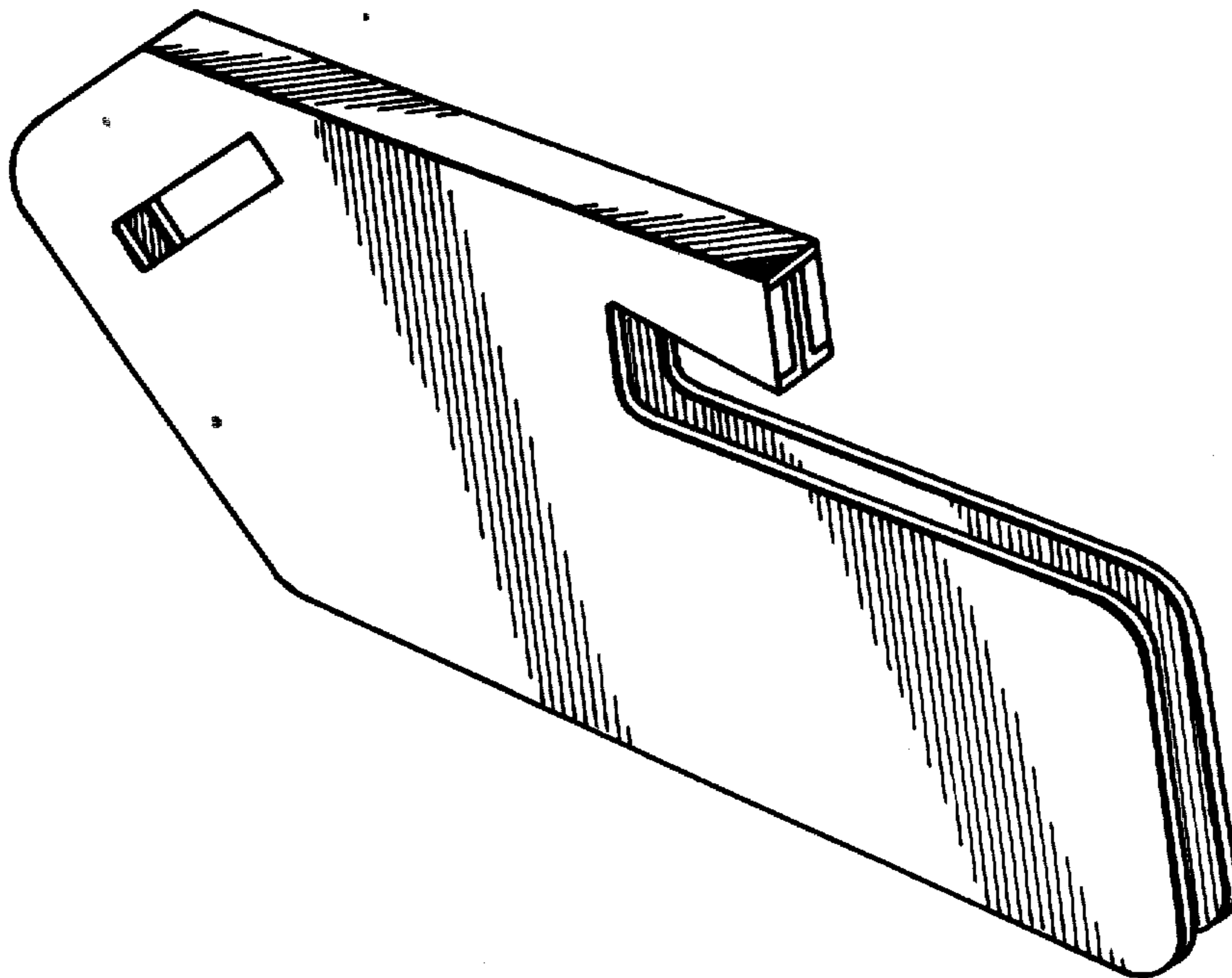
Primary Examiner—B. J. Bullock

[57] CLAIM

The ornamental design for a hanger, as shown and described.

DESCRIPTION

FIG. 1 is a perspective view of a hanger showing my new design;
 FIG. 2 is a side elevational view taken from the left of FIG. 1, the side opposite being a mirror image thereof;
 FIG. 3 is a top plan view;
 FIG. 4 is a bottom plan view;
 FIG. 5 is an end elevational view taken from the left of FIG. 2;
 FIG. 6 is an end elevational view taken from the right of FIG. 2.



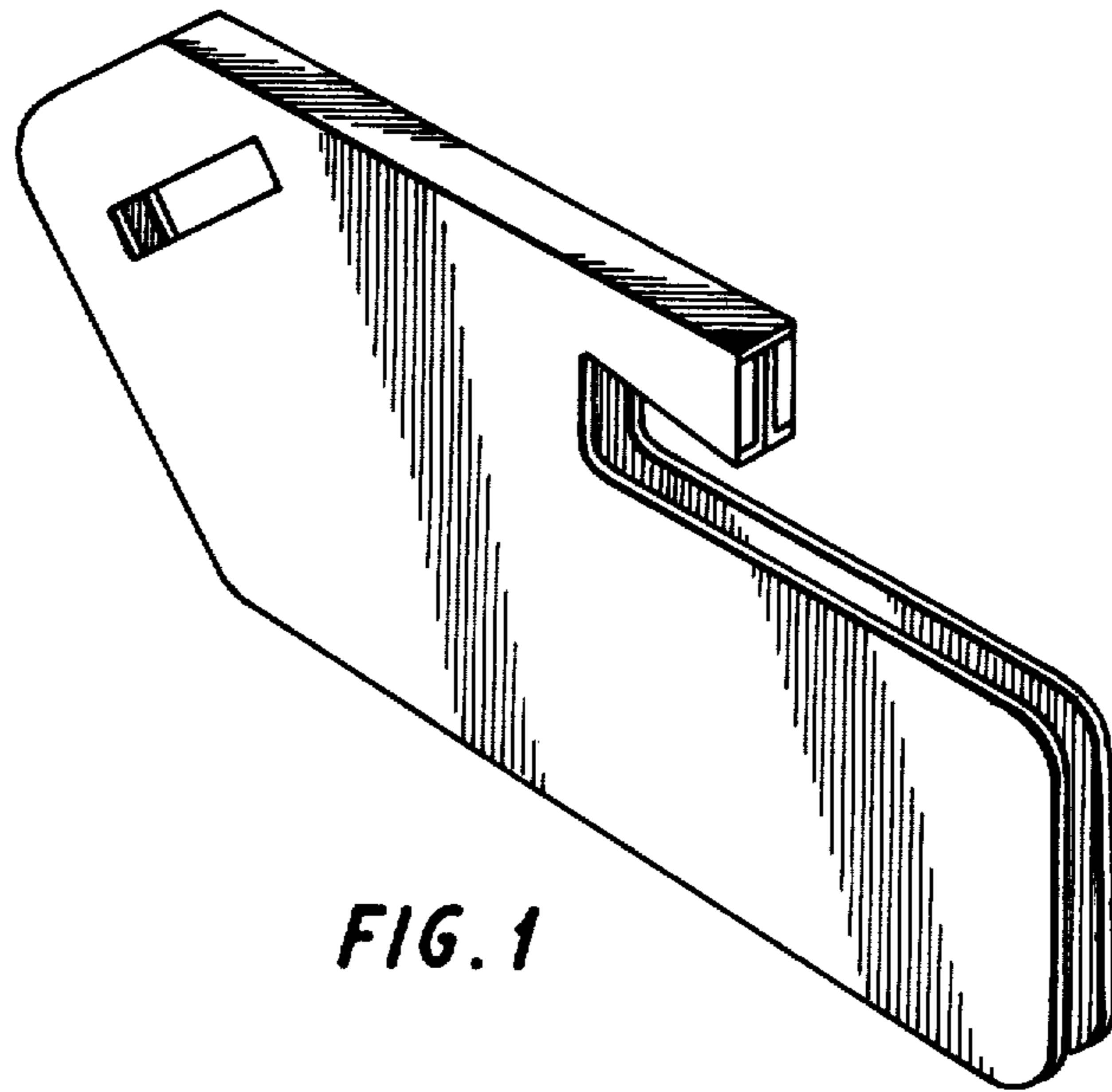


FIG. 1



FIG. 3

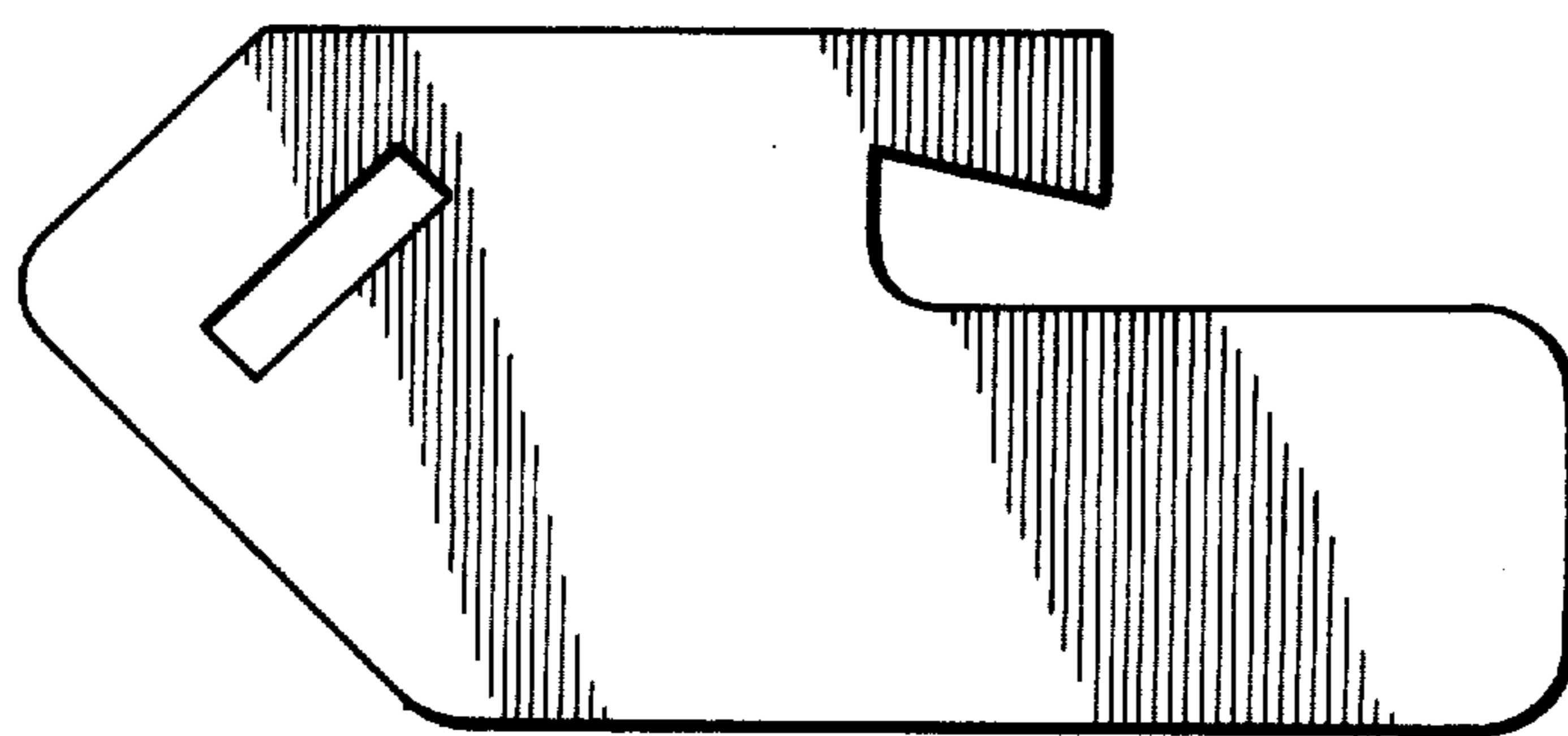


FIG. 2



FIG. 6



FIG. 5



FIG. 4