

[54] MUSICAL INSTRUMENT SUPPORT BRACKET

3,765,633 10/1973 Caudill ..... 248/229  
4,078,753 3/1978 Cole ..... 248/309 R  
4,101,107 7/1978 Antoszewski ..... 248/218.4

[76] Inventor: Mathew McPherson, Sr., 5817 Olinger Rd., Edina, Minn. 55436

Primary Examiner—B. J. Bullock  
Attorney, Agent, or Firm—Schroeder, Siegfried, Vidas, Steffey & Arrett

[\*\*] Term: 14 Years

[21] Appl. No.: 159,288

[57] CLAIM

[22] Filed: Jun. 13, 1980

The ornamental design for a musical instrument support bracket, as shown and described.

[51] Int. Cl. .... D6—06; D8—08

[52] U.S. Cl. .... D6/114; D8/373

[58] Field of Search ..... D6/114, 125; D8/373, D8/380, 394, 395; 248/316 F, 309 R, 316 D, 316 R, 305, 302, 229; 211/87, 89, 13

DESCRIPTION

FIG. 1 is a reduced perspective view of a musical instrument support bracket showing the new design, the amplifier and guitar being shown in broken line for illustrative purposes only;  
FIG. 2 is an exploded front perspective view thereof;  
FIG. 3 is an exploded rear perspective view thereof;  
FIG. 4 is a front perspective view thereof.

[56] References Cited

U.S. PATENT DOCUMENTS

D. 31,086 6/1899 Caldwell ..... D8/395

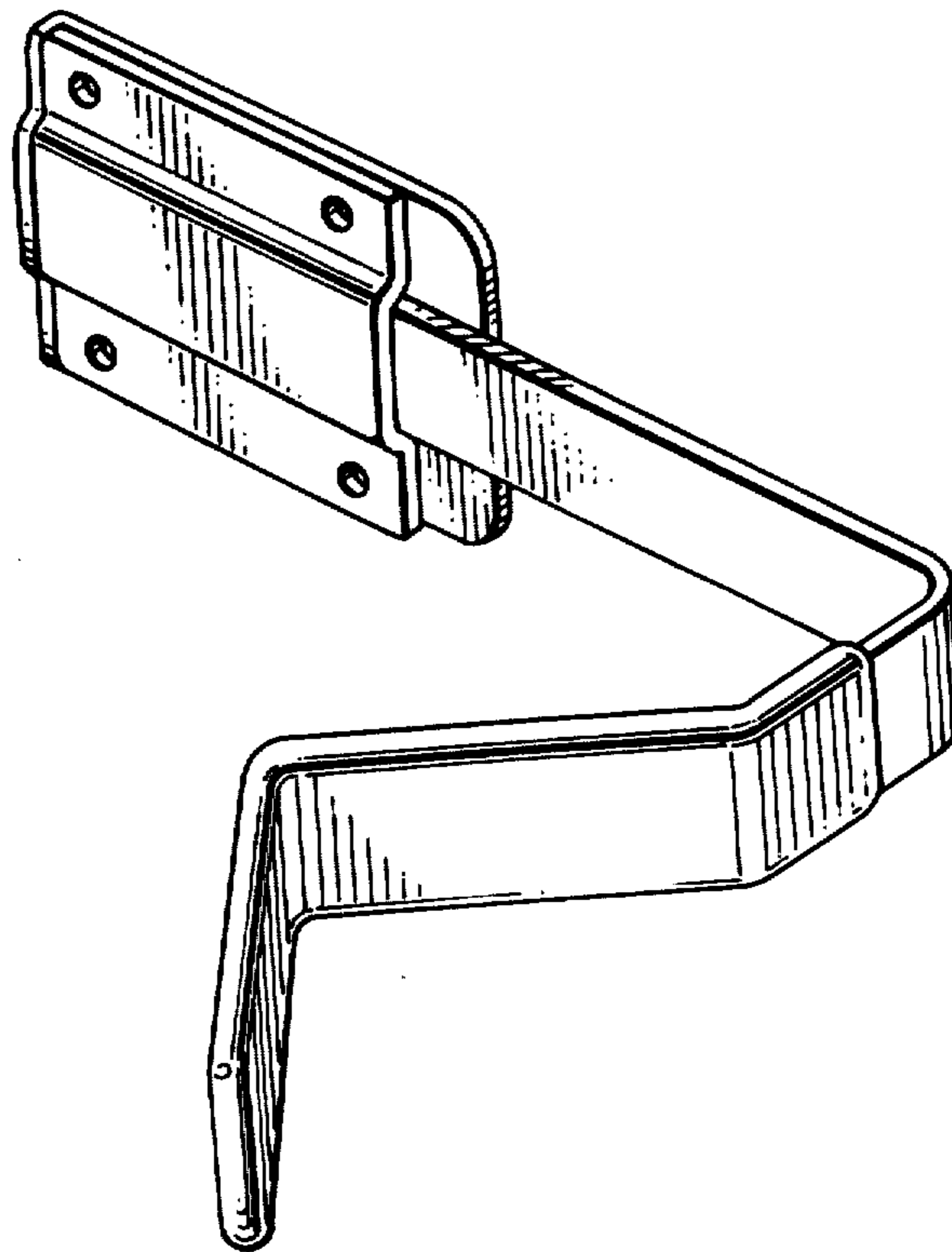


Fig. 2

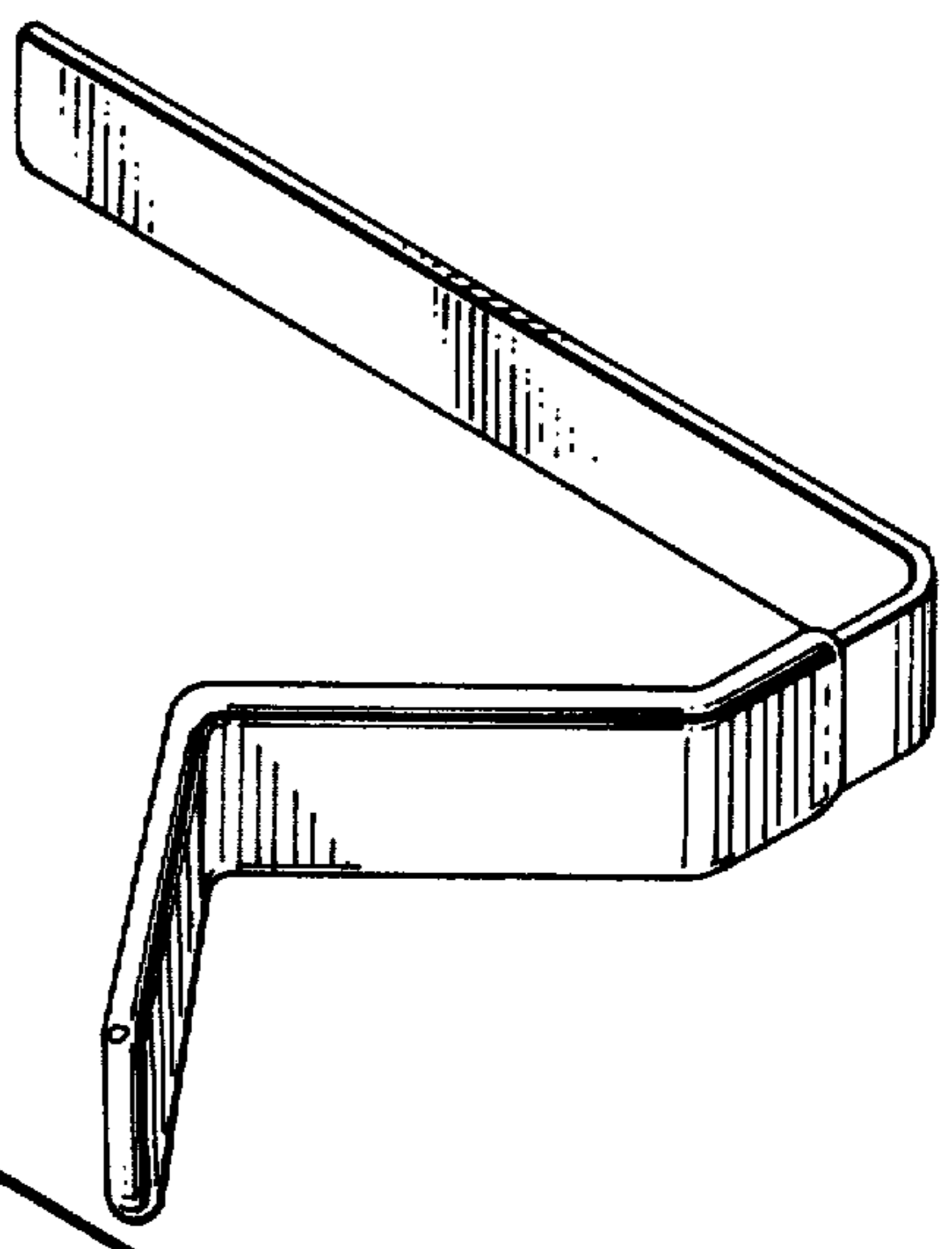
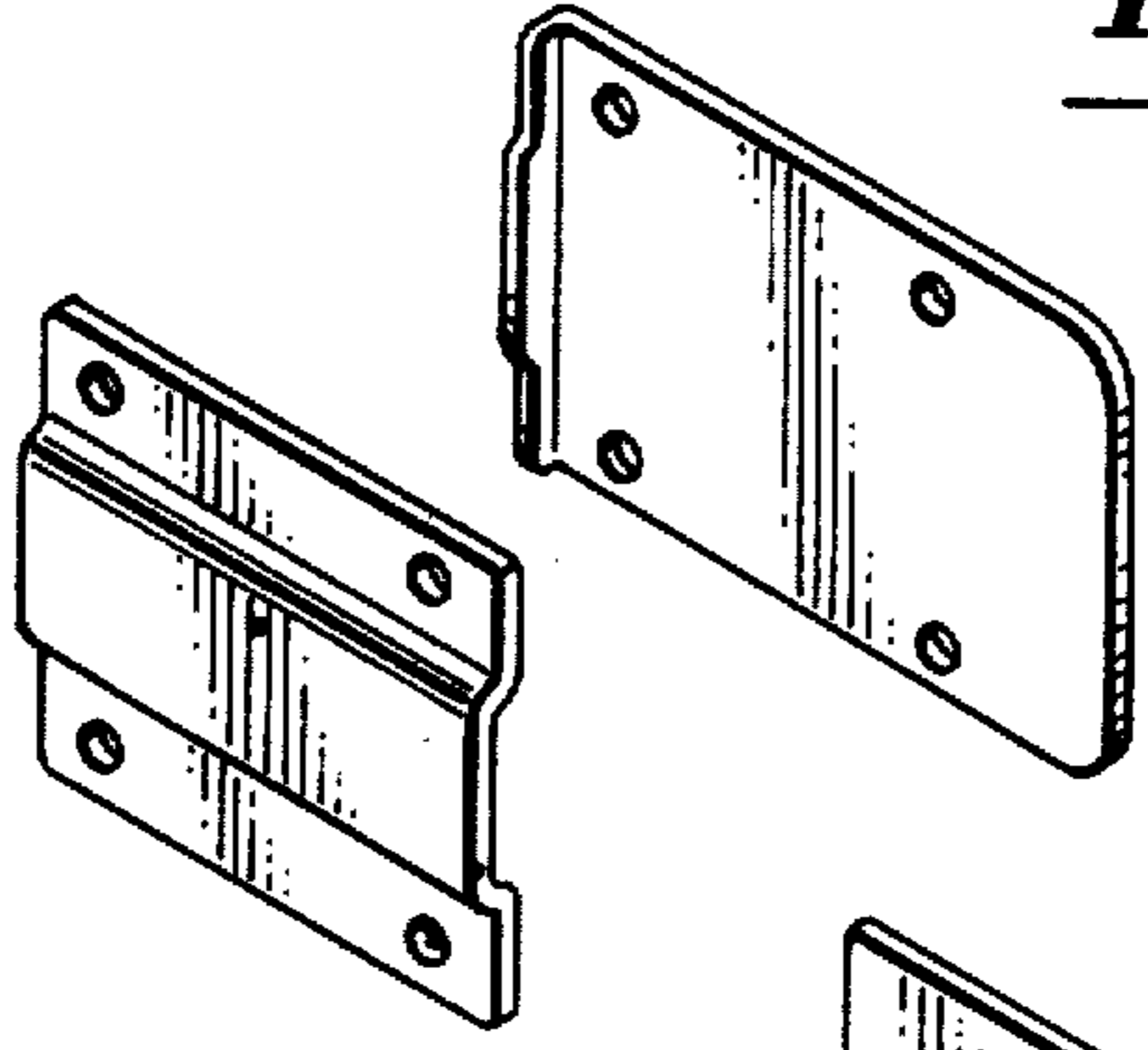


Fig. 3

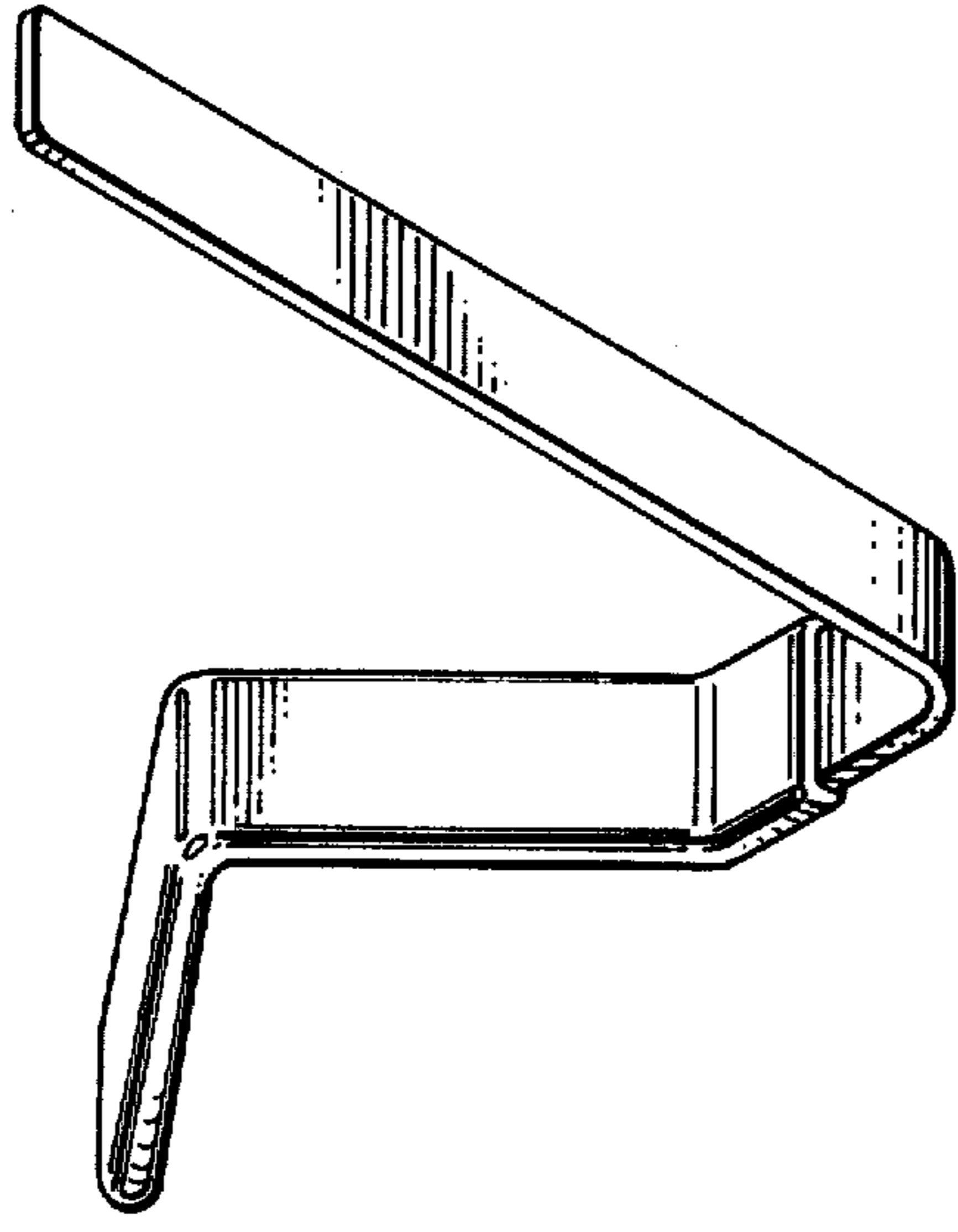
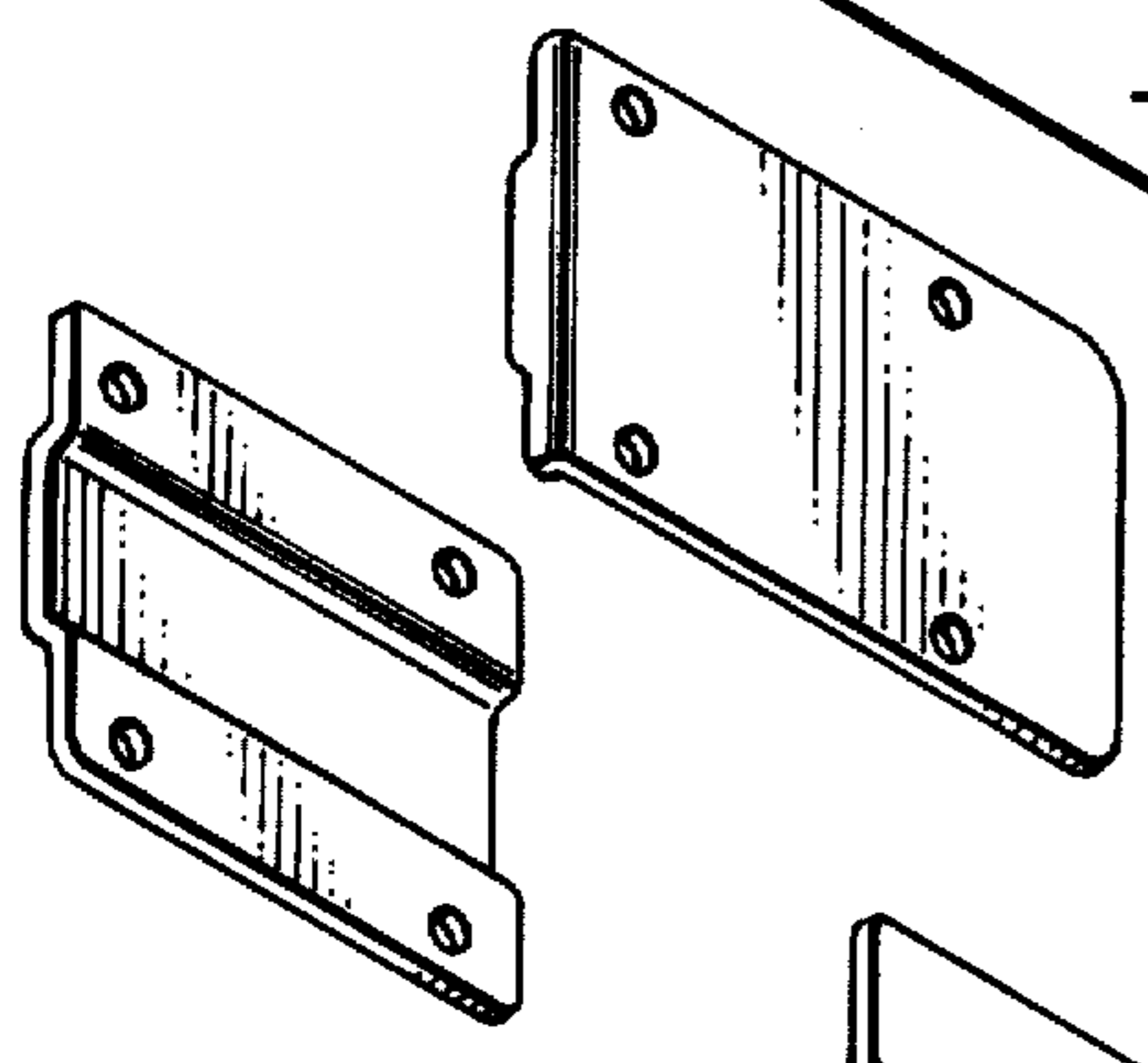
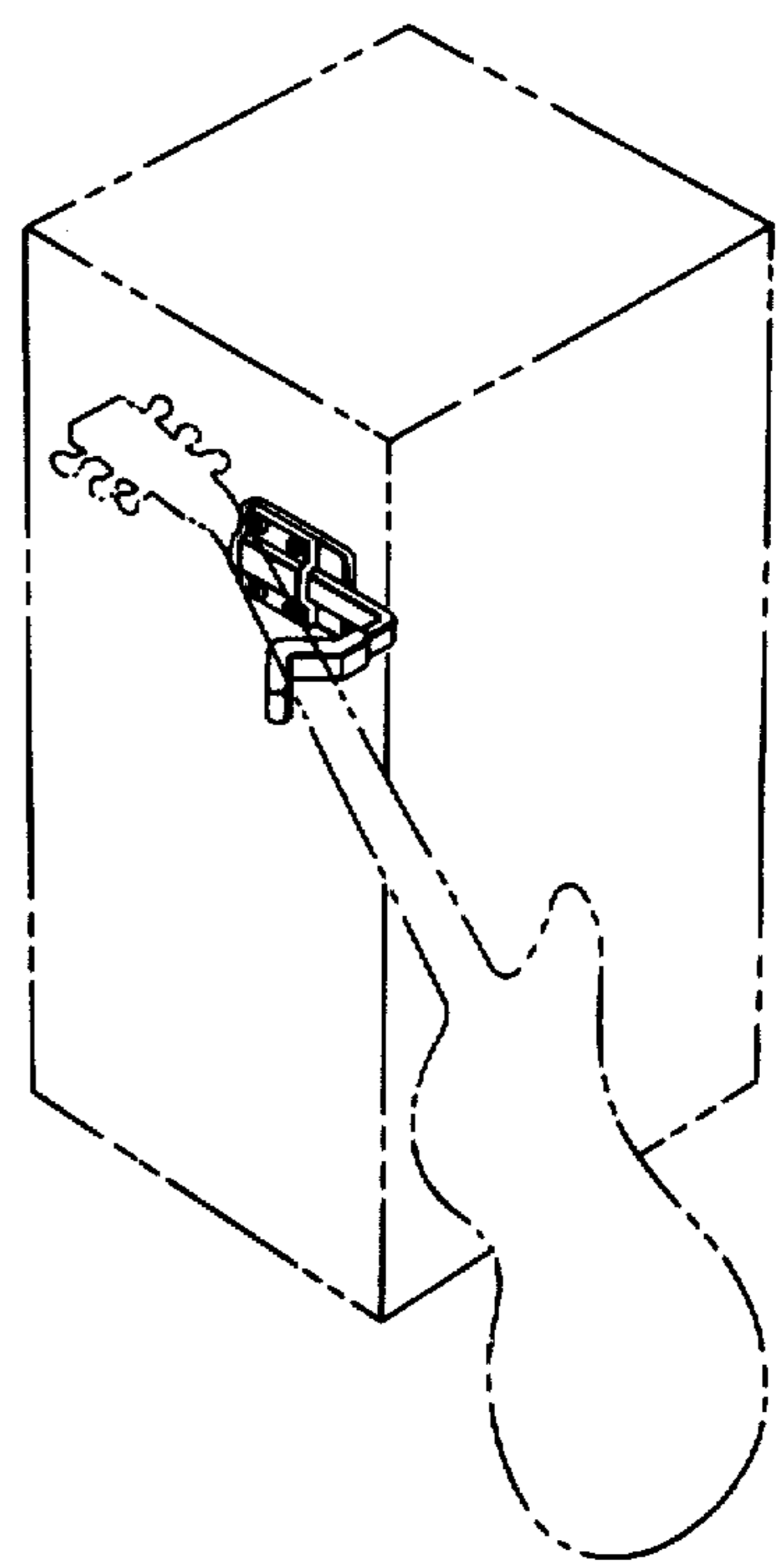


Fig. 1



*Fig. 4*

