

[54] **SHOE RACK**  
 [75] **Inventor: Reginald Wood, Gardner, Mass.**  
 [73] **Assignee: Tamor Plastics Corporation, Leominster, Mass.**  
 [\*\*] **Term: 14 Years**  
 [21] **Appl. No.: 396,775**  
 [22] **Filed: Jul. 9, 1982**  
 [51] **Int. Cl. .... D06-04**  
 [52] **U.S. Cl. .... D6/85**  
 [58] **Field of Search .... 211/34, 35, 36, 37, 211/38; D6/85, 157, 186**

2,943,741 7/1960 Atkinson ..... 211/37  
 2,969,155 1/1961 Atkinson ..... 211/37 X

**FOREIGN PATENT DOCUMENTS**

1428114 3/1976 United Kingdom ..... 211/37

*Primary Examiner*—Joel Stearman  
*Assistant Examiner*—Carmen H. Vales  
*Attorney, Agent, or Firm*—Philip Sands

[57] **CLAIM**

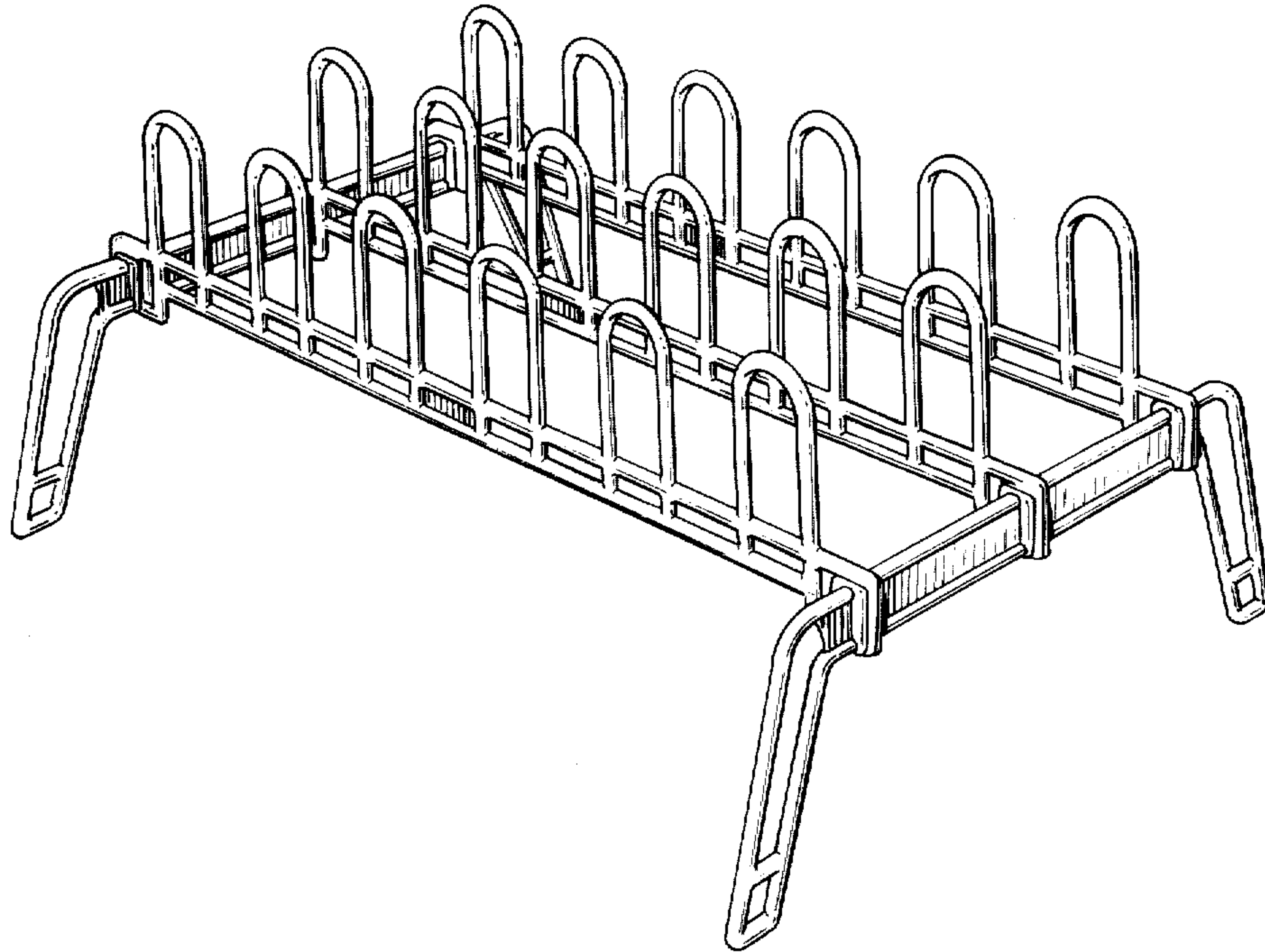
The design for a shoe rack, substantially as shown and described.

**DESCRIPTION**

FIG. 1 is a perspective view of a shoe rack showing my new design;  
 FIG. 2 is a reduced scale end elevational view, the opposite end being identical thereto;  
 FIG. 3 is a front elevational view, the rear view being identical thereto;  
 FIG. 4 is a top plan view thereof; and  
 FIG. 5 is a bottom plan view thereof.

[56] **References Cited**  
**U.S. PATENT DOCUMENTS**

D. 165,942 2/1952 Stein ..... D6/85  
 2,695,106 11/1954 Cohen ..... 211/38  
 2,815,862 12/1957 Einhorn ..... 211/37  
 2,836,306 5/1958 Einhorn ..... 211/37  
 2,928,549 3/1960 Neuwirth ..... 211/34



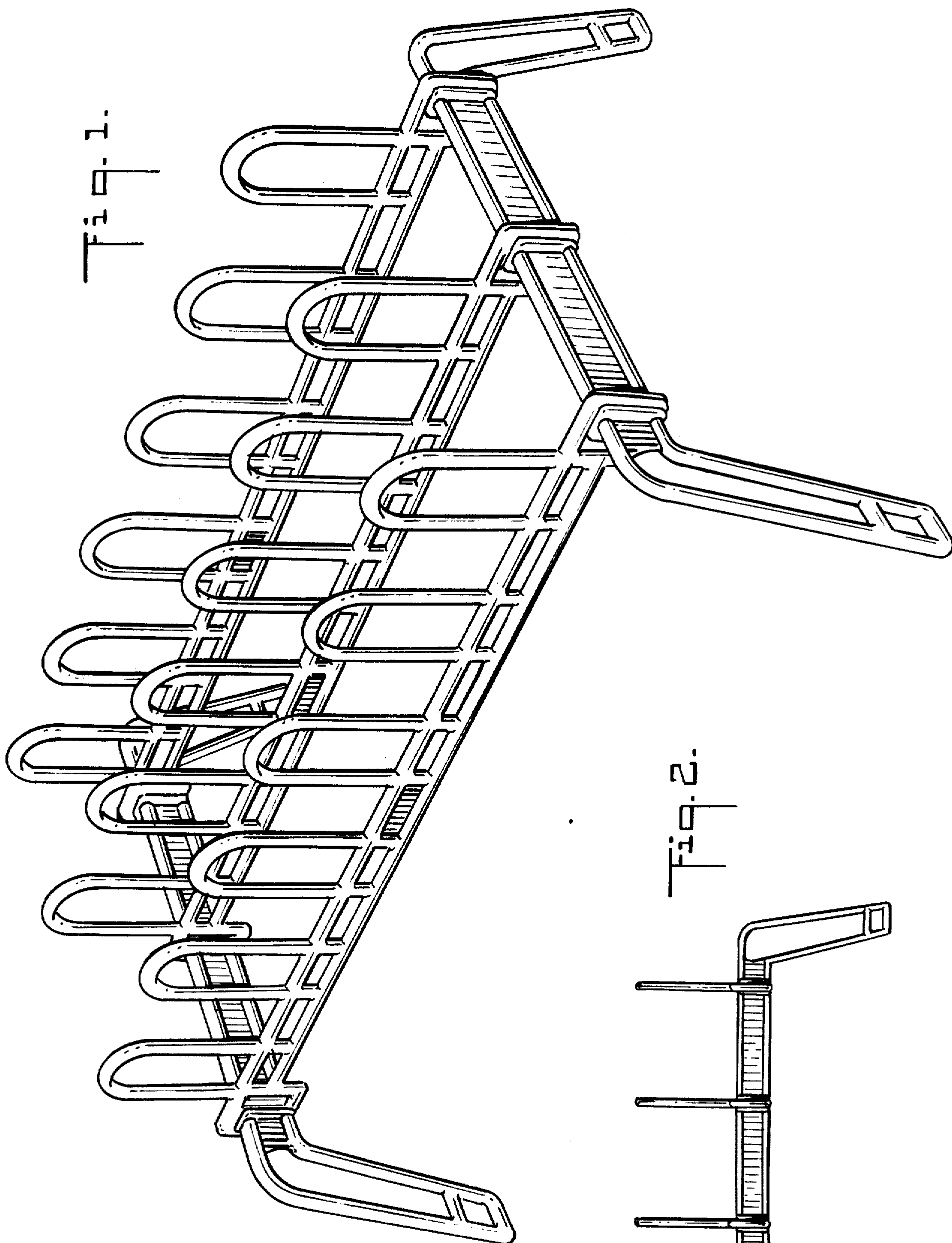


Fig. 3.

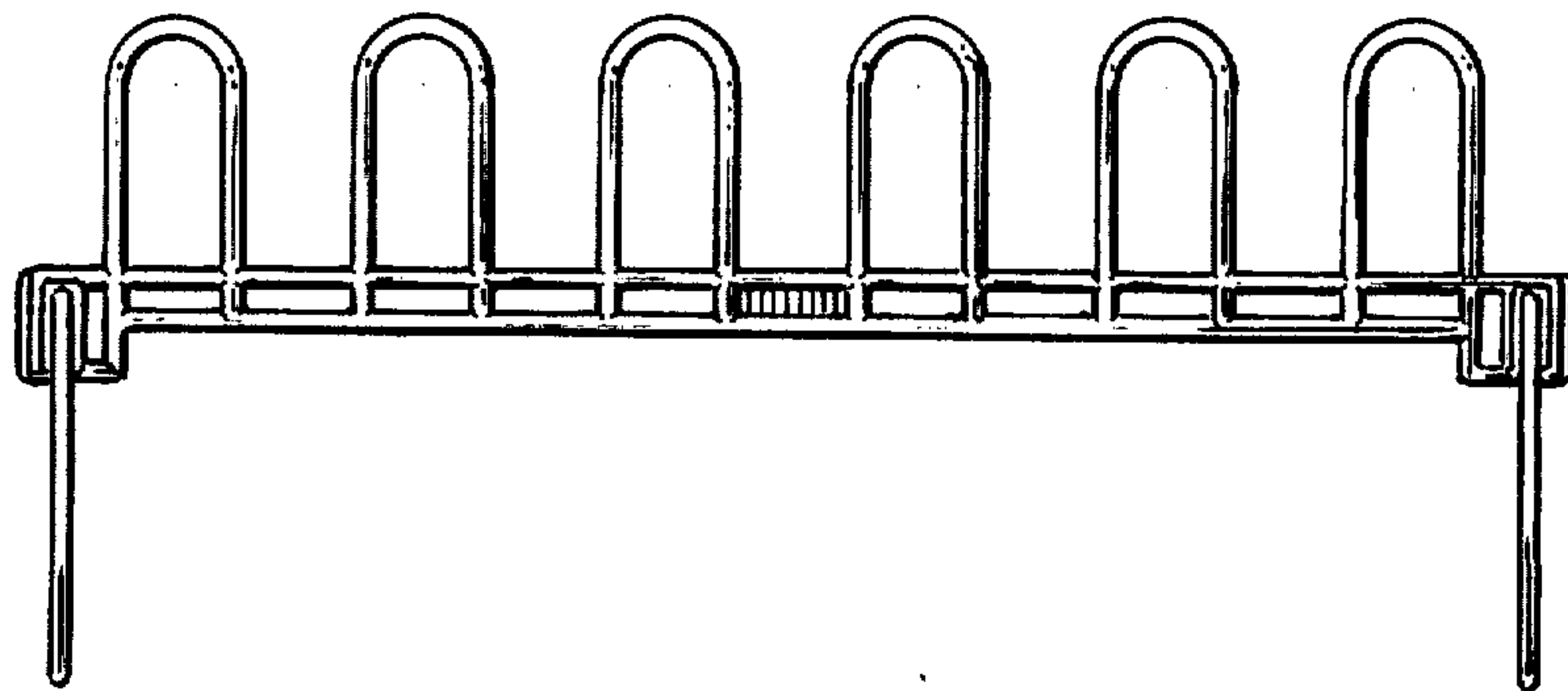


Fig. 4.

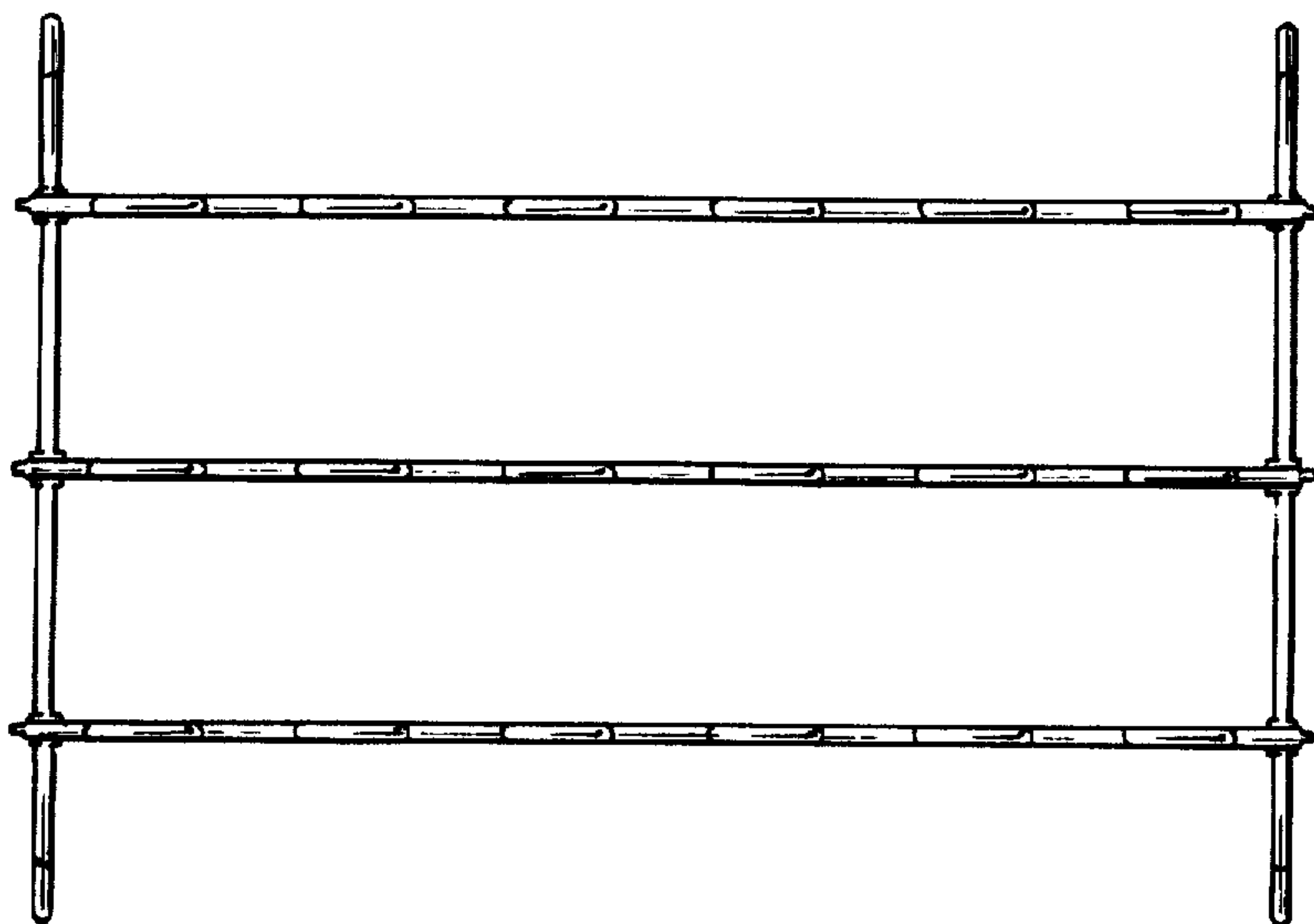


Fig. 5.

