

[54] LUGGAGE

[75] Inventor: Ted Stark, Montclair, N.J.

[73] Assignee: M/M Verdi International, Inc.,  
Jersey City, N.J.

[\*\*] Term: 14 Years

[21] Appl. No.: 366,286

[22] Filed: Apr. 7, 1982

[51] Int. Cl. .... D3-01

[52] U.S. Cl. .... D3/77; D3/71

[58] Field of Search ..... D3/30.1, 48, 71, 76,  
D3/77; 190/41.2, 16, 51, 52

[56] References Cited

U.S. PATENT DOCUMENTS

- D. 163,552 6/1951 Adams ..... D3/71
- D. 242,394 11/1976 Tweedie ..... D3/71

OTHER PUBLICATIONS

Luggage & Leather Goods, 1/63, p. 10.  
Luggage & Travelware, 9/78 front cover.  
M. M. Verdi Adv. Sheet Prior to 3/81, Item "A".

Primary Examiner—George P. Word  
Attorney, Agent, or Firm—Hubbell, Cohen, Stiefel &  
Gross

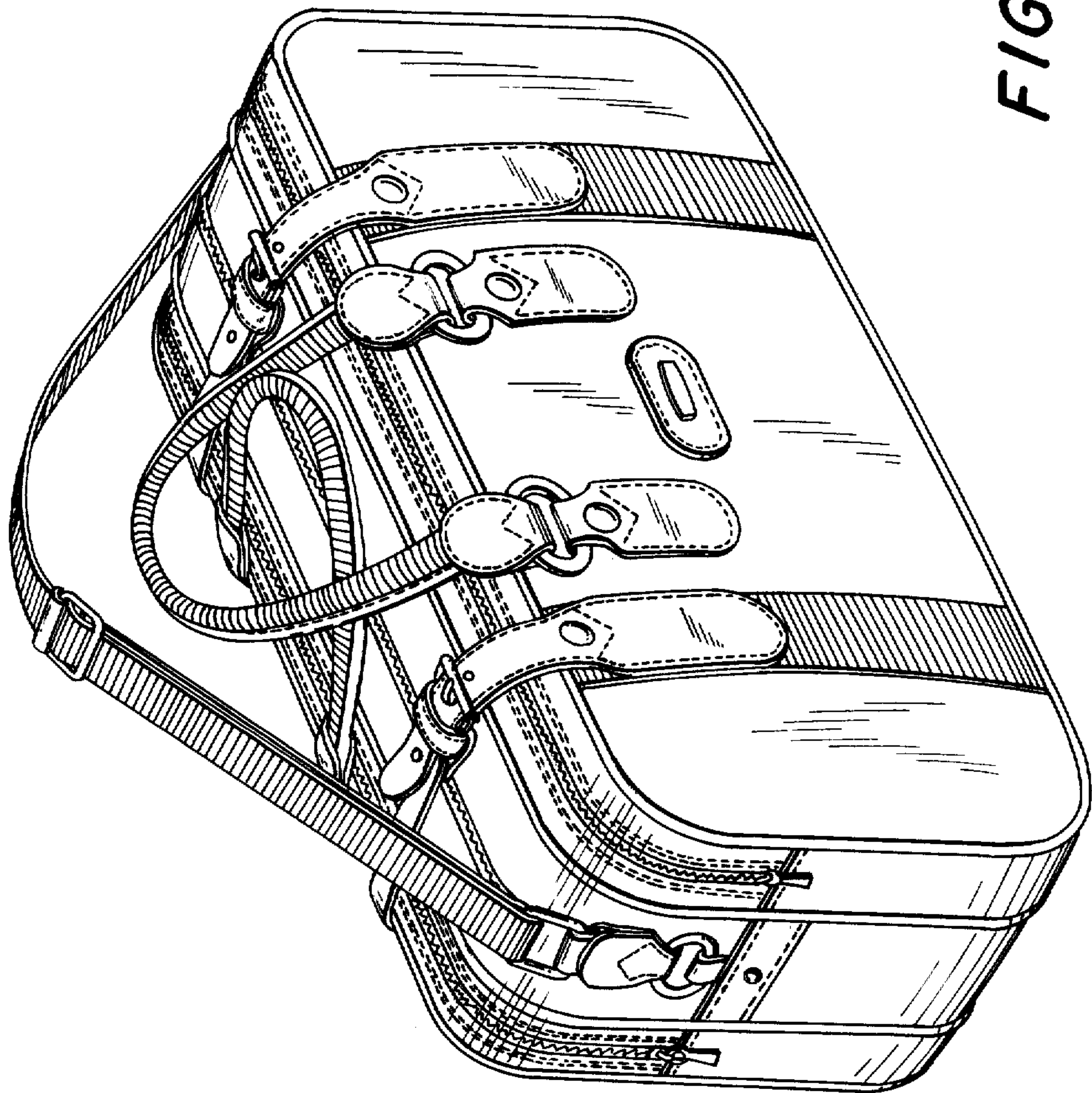
[57] CLAIM

The ornamental design for luggage, substantially as shown and described.

DESCRIPTION

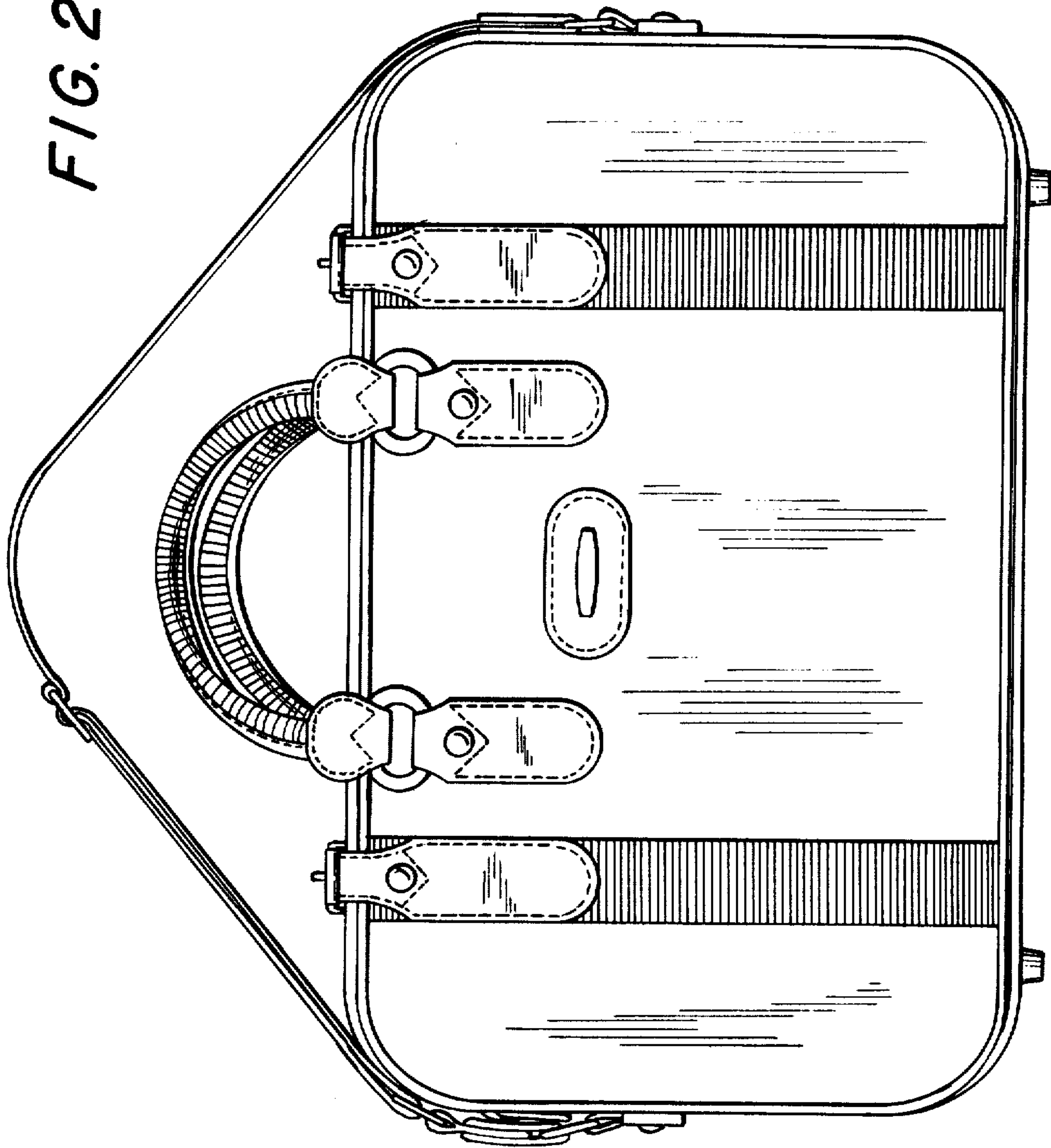
FIG. 1 is a perspective view of luggage showing my new design;  
FIG. 2 is a front elevational view thereof;  
FIG. 3 is a right side elevational view thereof which is the mirror image of the left side of the luggage;  
FIG. 4 is a rear elevational view thereof;  
FIG. 5 is a top plan view thereof; and  
FIG. 6 is a bottom plan view thereof.





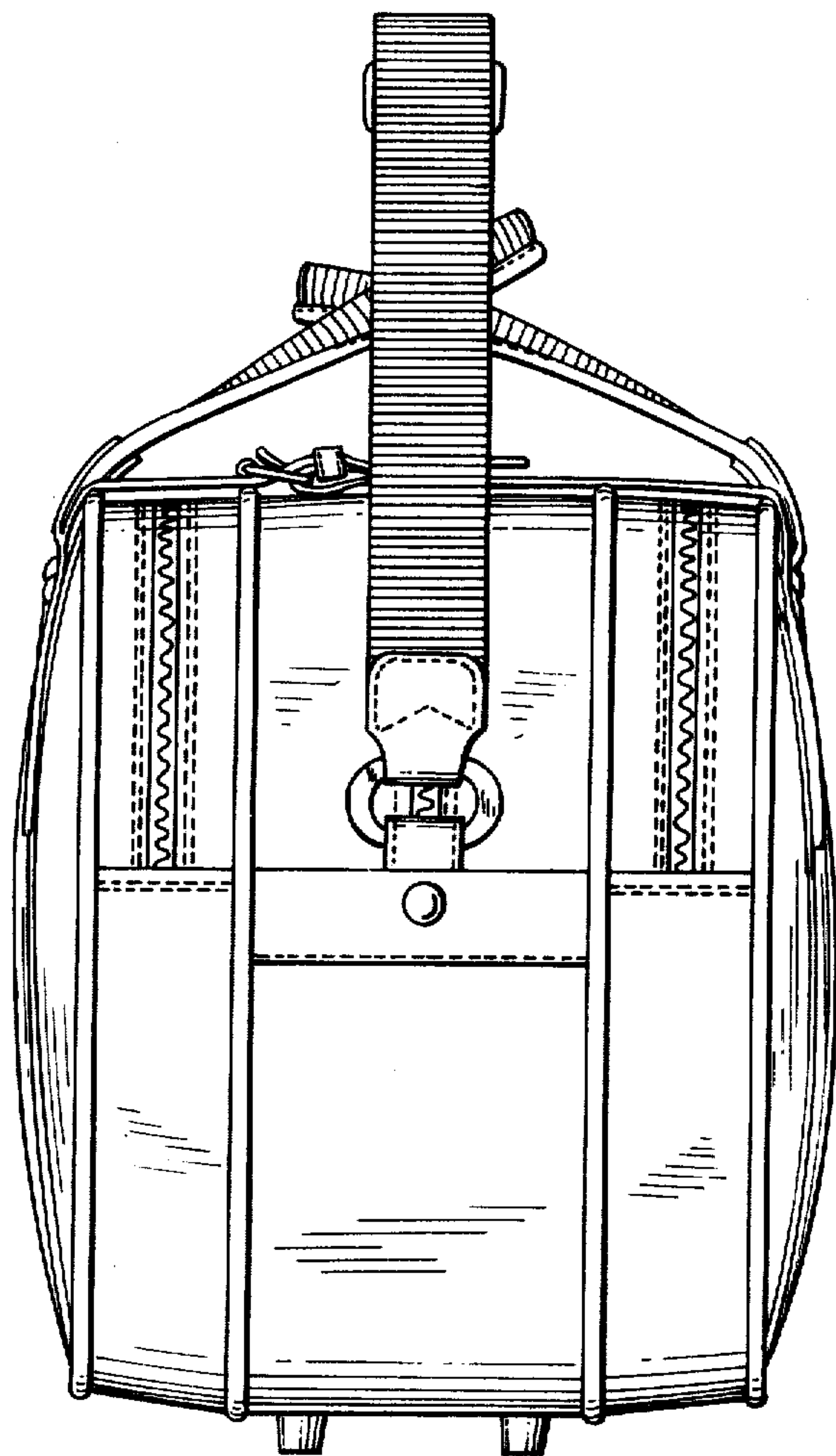
*FIG. 1*

FIG. 2





*FIG. 3*



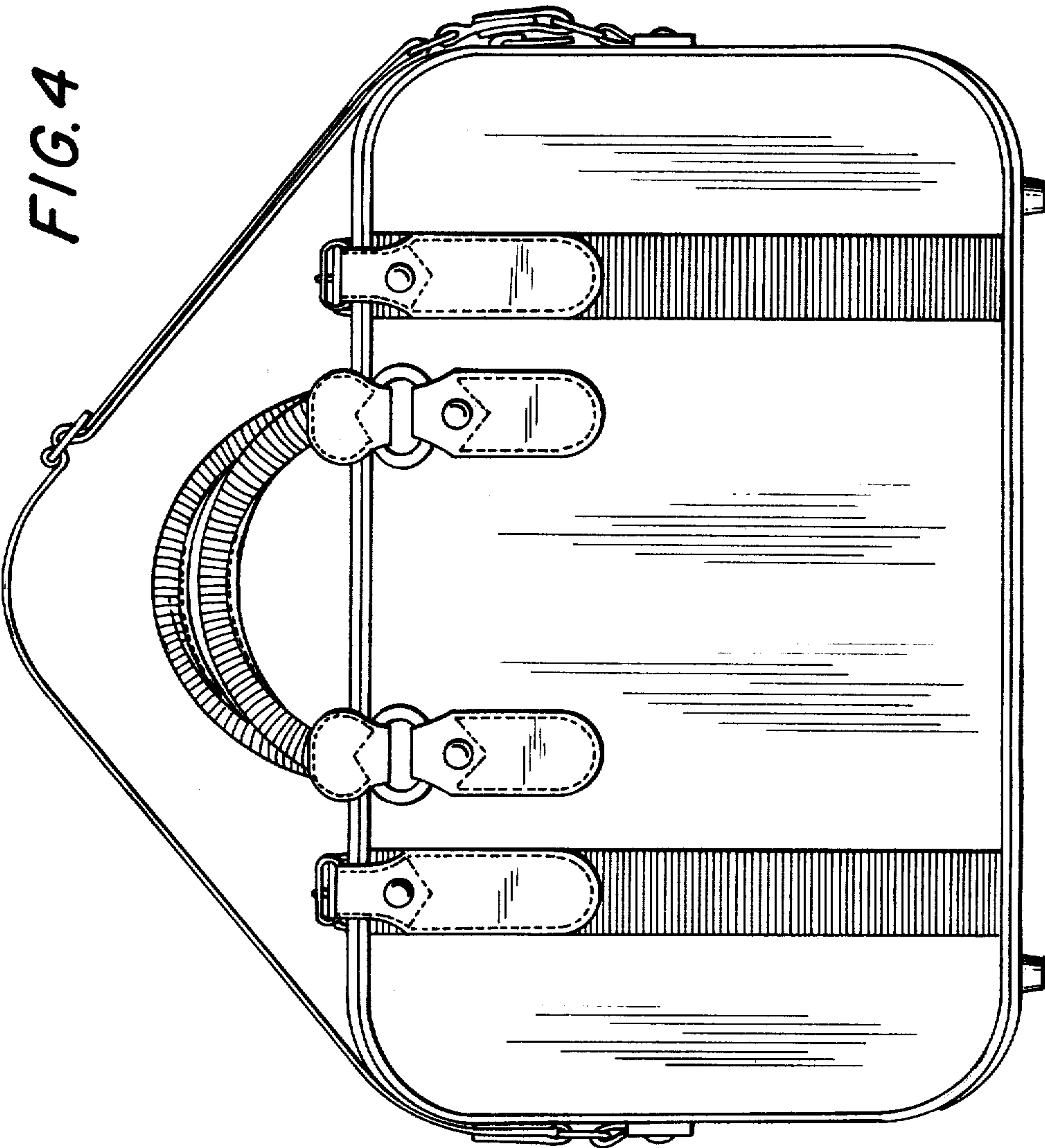
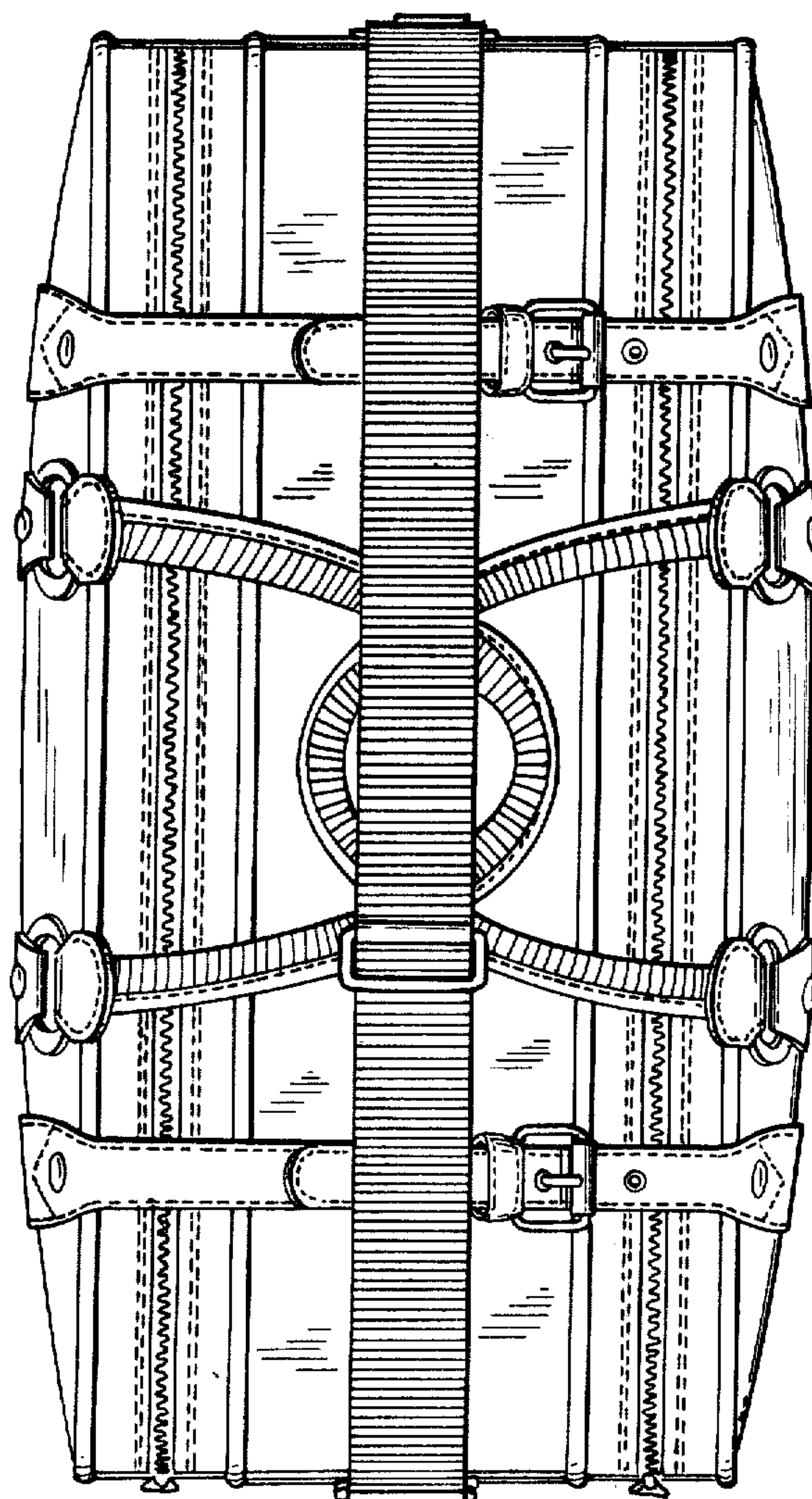


FIG. 5



*FIG. 6*

