

[54] COMBINATION TOOL FOR A FARRIER

[56]

References Cited

U.S. PATENT DOCUMENTS

[76] Inventor: **Sven H. Jensen**, Olivedalsgatan 22,
S-413 10 Göteborg, Sweden

D. 25,866	8/1896	Pinkerman	D30/99
101,538	4/1870	Stout	168/48
176,768	5/1876	Blakeslee	168/48
D. 249,569	9/1978	Moran	D30/99
D. 249,717	9/1978	Moran	D30/99
274,570	3/1883	Davis	168/48
544,540	8/1895	Jones	168/48

[**] Term: **14 Years**

Primary Examiner—James R. Largen

[21] Appl. No.: **215,502**

[57] CLAIM

[22] Filed: **Dec. 11, 1980**

The ornamental design for a combination tool for a farrier, as shown and described.

[30] Foreign Application Priority Data

DESCRIPTION

Jun. 12, 1980 [SE] Sweden 80-1196

FIG. 1 is a top perspective view of a tool for a farrier showing my new design;

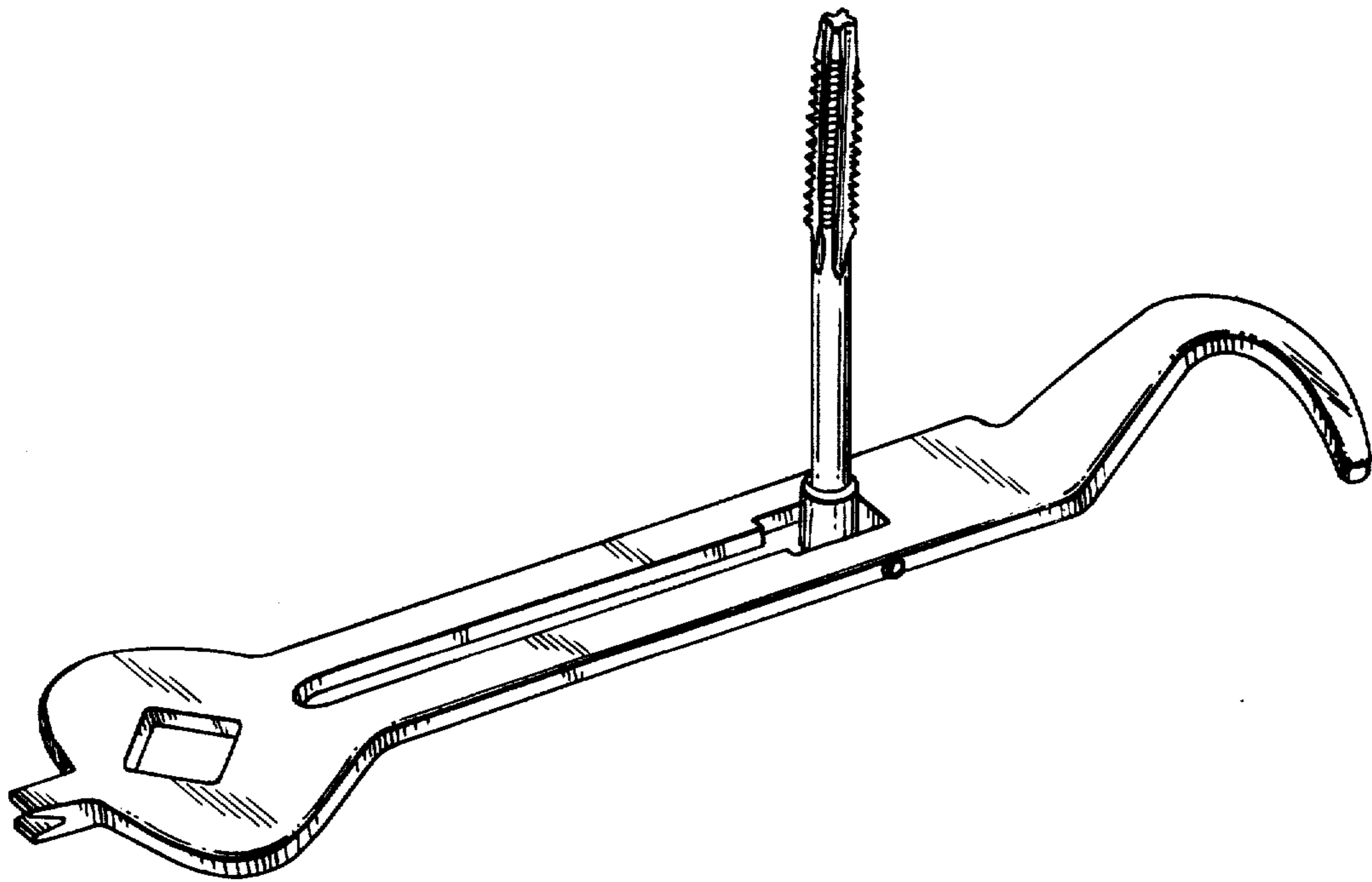
[51] Int. Cl. **D30-99**

FIG. 2 is a top perspective view thereof showing the reamer in an extended position; and

[52] U.S. Cl. **D30/99; 168/48 A**

FIG. 3 is a bottom perspective view of FIG. 1.

[58] Field of Search **D30/99; 168/48**



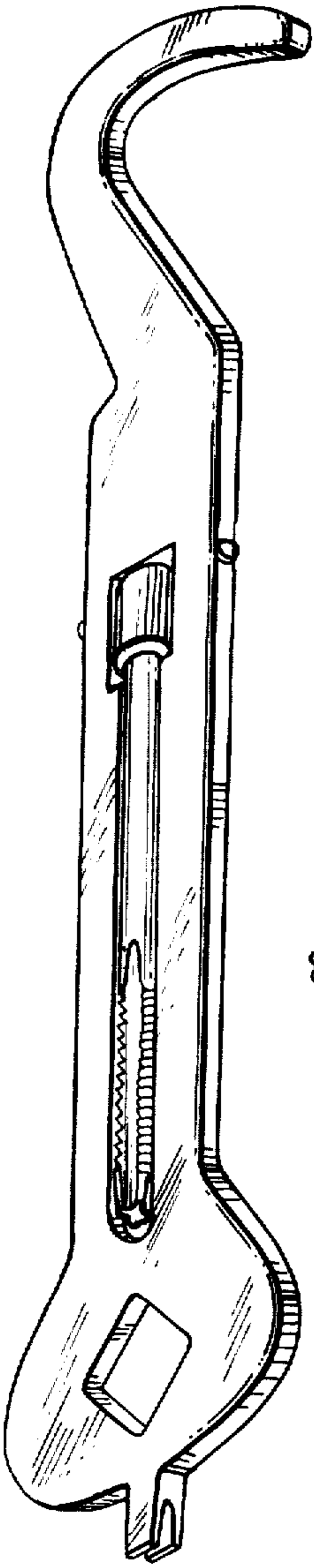


FIG. 1

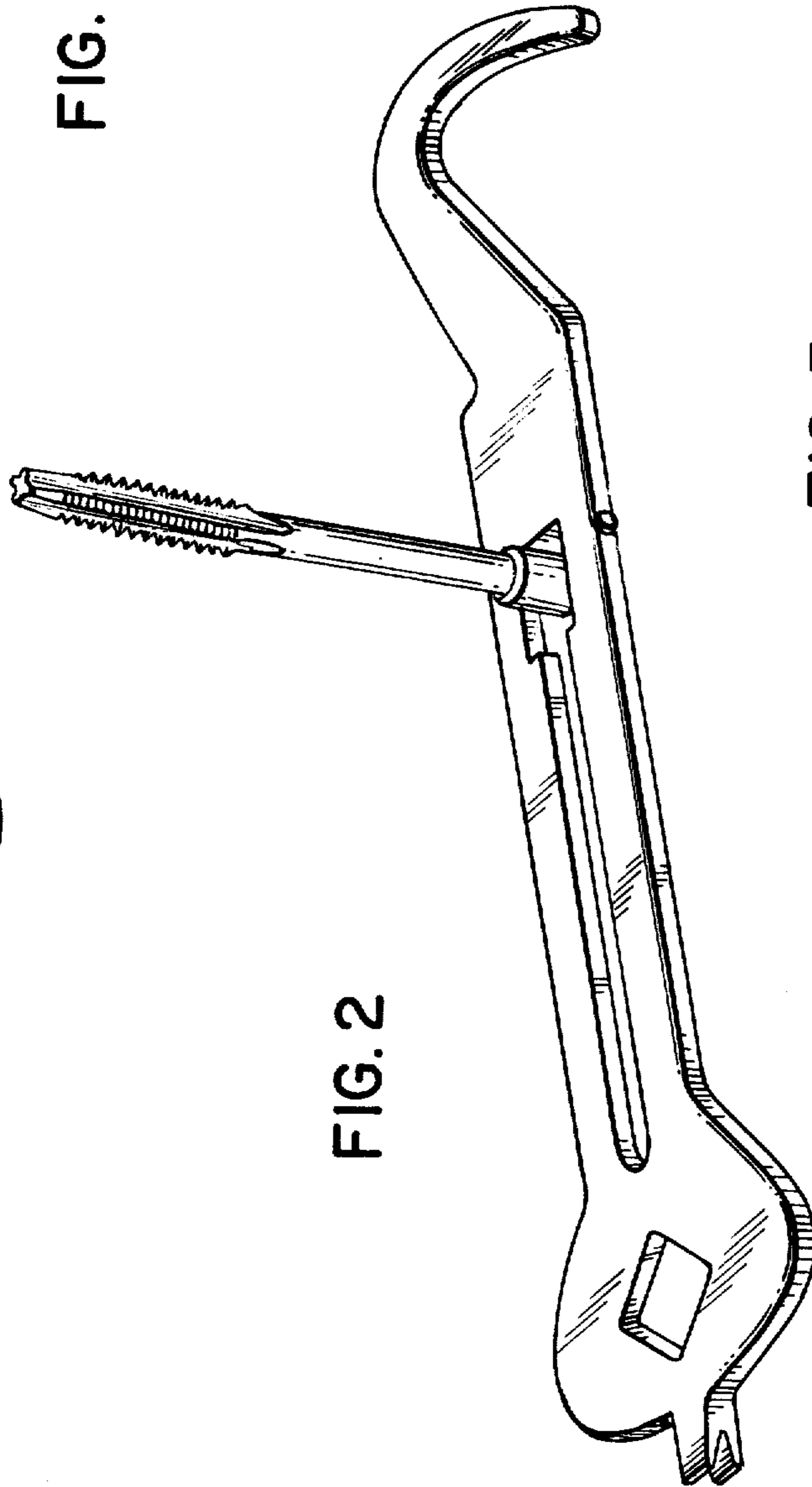


FIG. 2

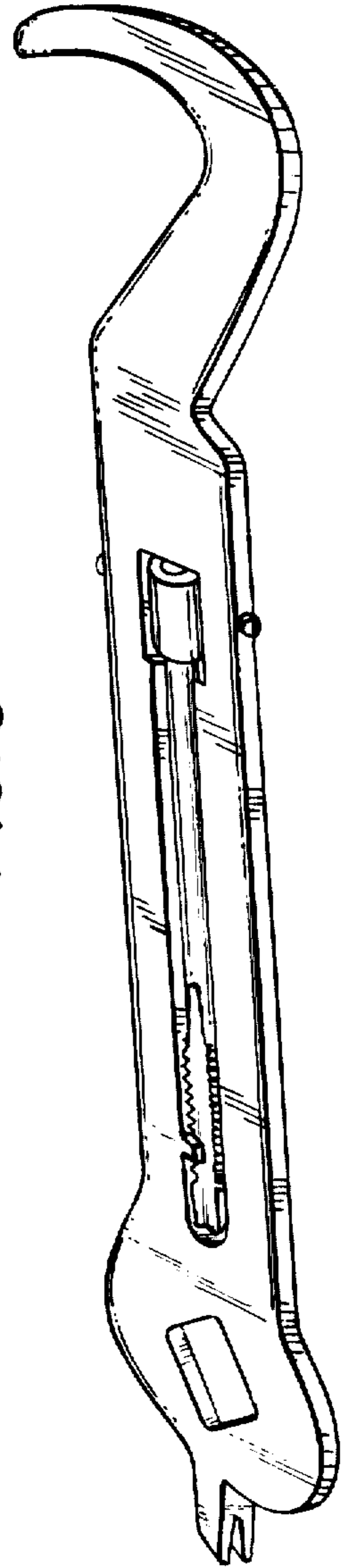


FIG. 3