

[54] TOOTHPICK

[75] Inventor: Per H. Hjalmarsson, Bjärred, Sweden

[73] Assignee: Tubex AB, Glimakra, Sweden

[**] Term: 14 Years

[21] Appl. No.: 149,398

[22] Filed: May 13, 1980

[30] Foreign Application Priority Data

Nov. 22, 1979 [SE] Sweden 79-2565

[51] Int. Cl. D28-01

[52] U.S. Cl. D28/64

[58] Field of Search 132/93, 89; D28/64

[56] References Cited

U.S. PATENT DOCUMENTS

D. 221,079 7/1971 Muhler D28/64

D. 250,132 10/1978 Torbjörn D28/64

2,626,855 1/1953 Hand D28/64 X
3,590,814 7/1971 Bennett 132/62 A

FOREIGN PATENT DOCUMENTS

197960 8/1957 Austria 132/89

OTHER PUBLICATIONS

Solid Geometry, Mallory Oakley, ©1954, p. 6, Parallelogram.

Primary Examiner—Bernard Ansher
Attorney, Agent, or Firm—Beveridge, DeGrandi & Kline

[57] CLAIM

The ornamental design for a toothpick, as shown.

DESCRIPTION

FIG. 1 is a perspective view of the toothpick, as seen obliquely from above;
FIG. 2 is a perspective view as seen obliquely from below; and
FIG. 3 is a side elevational view.

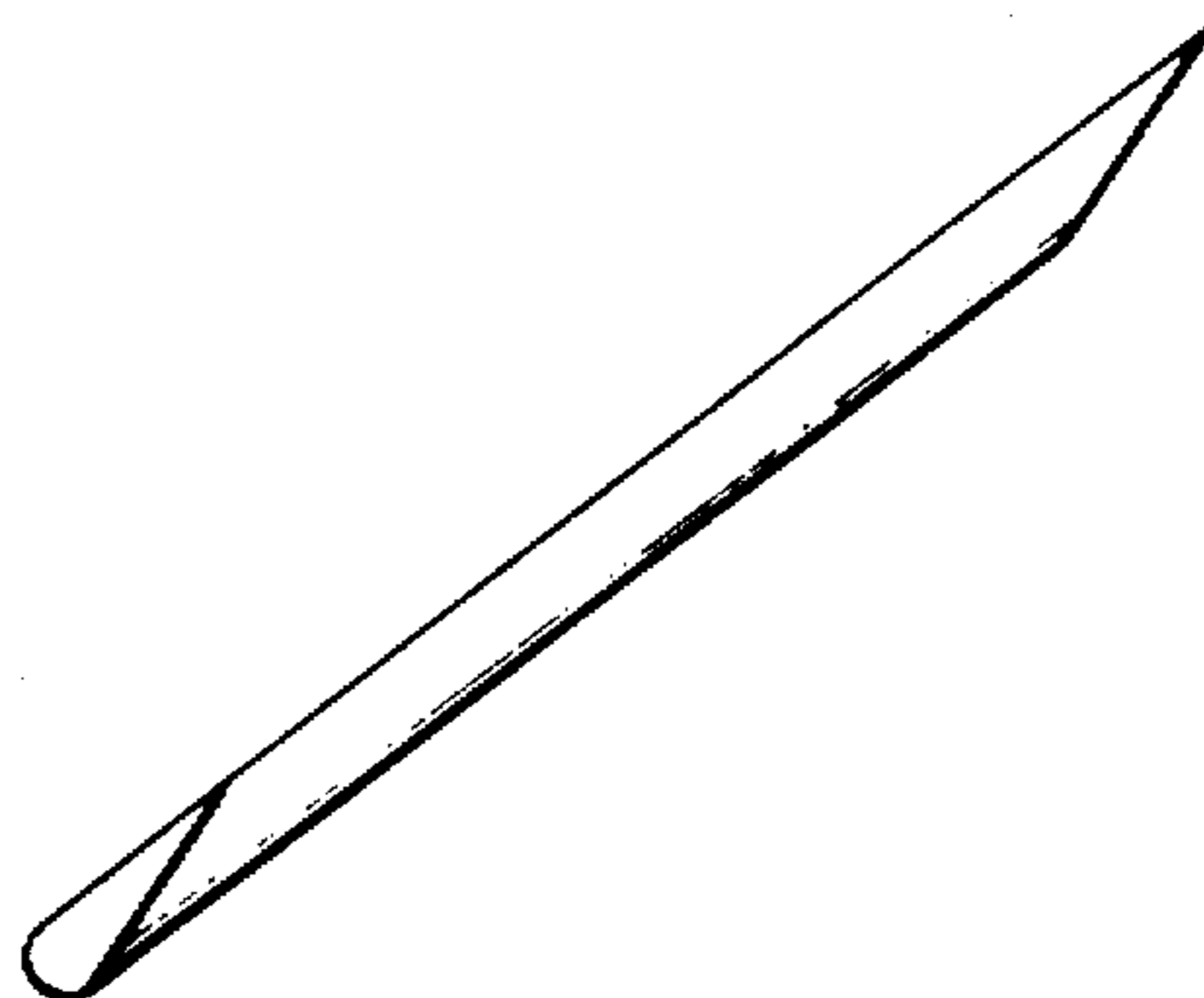
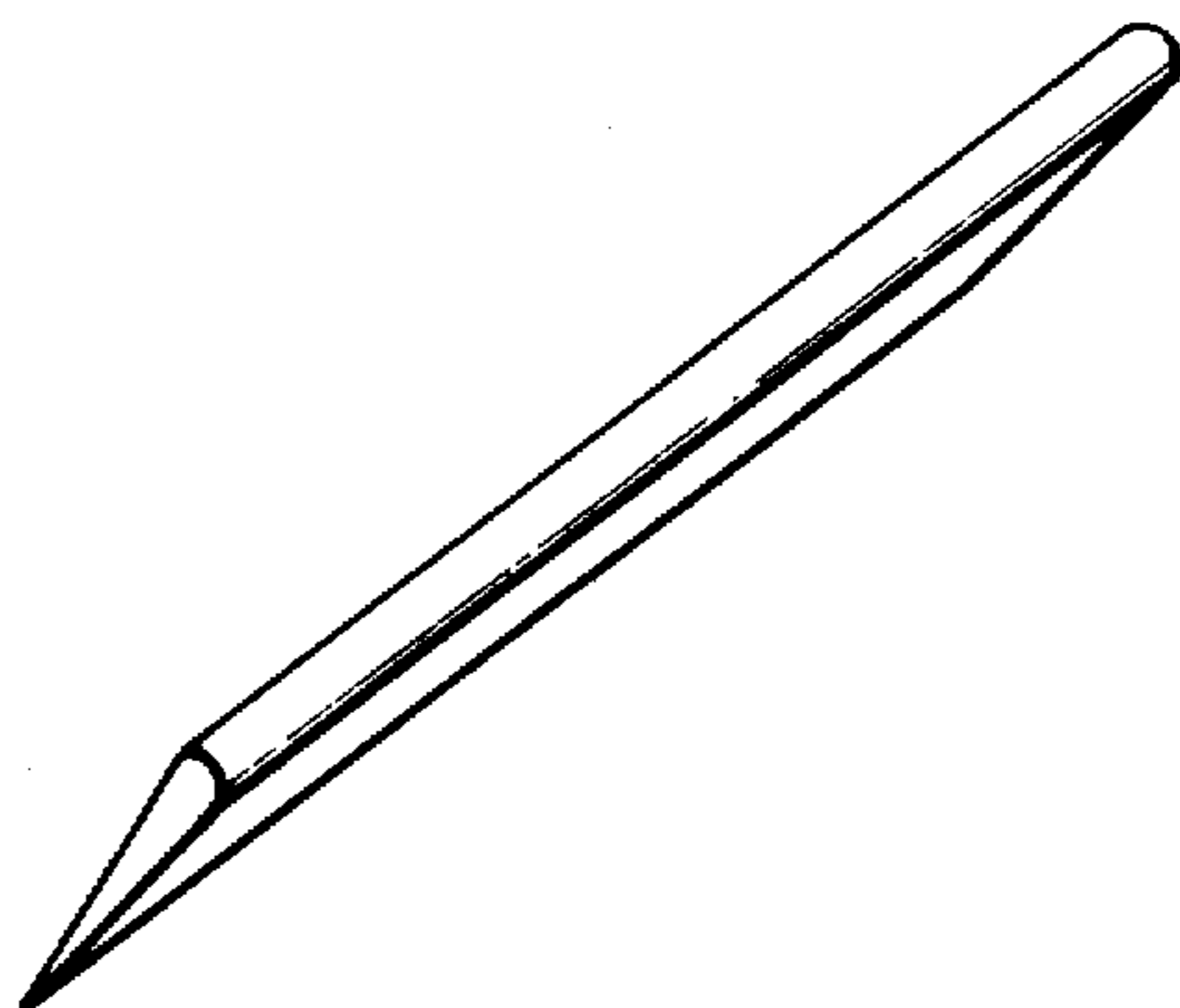


FIG. 1

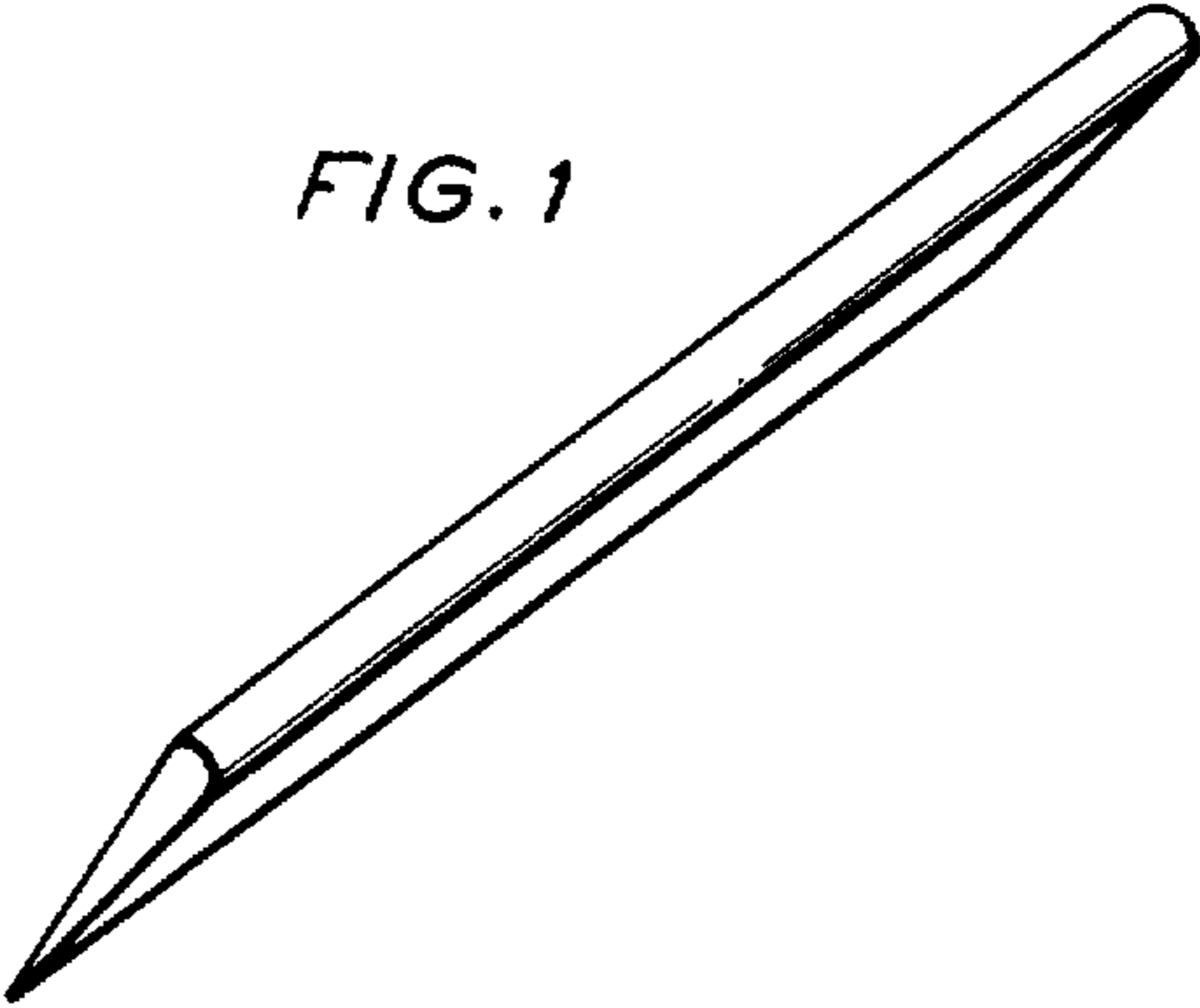


FIG. 2

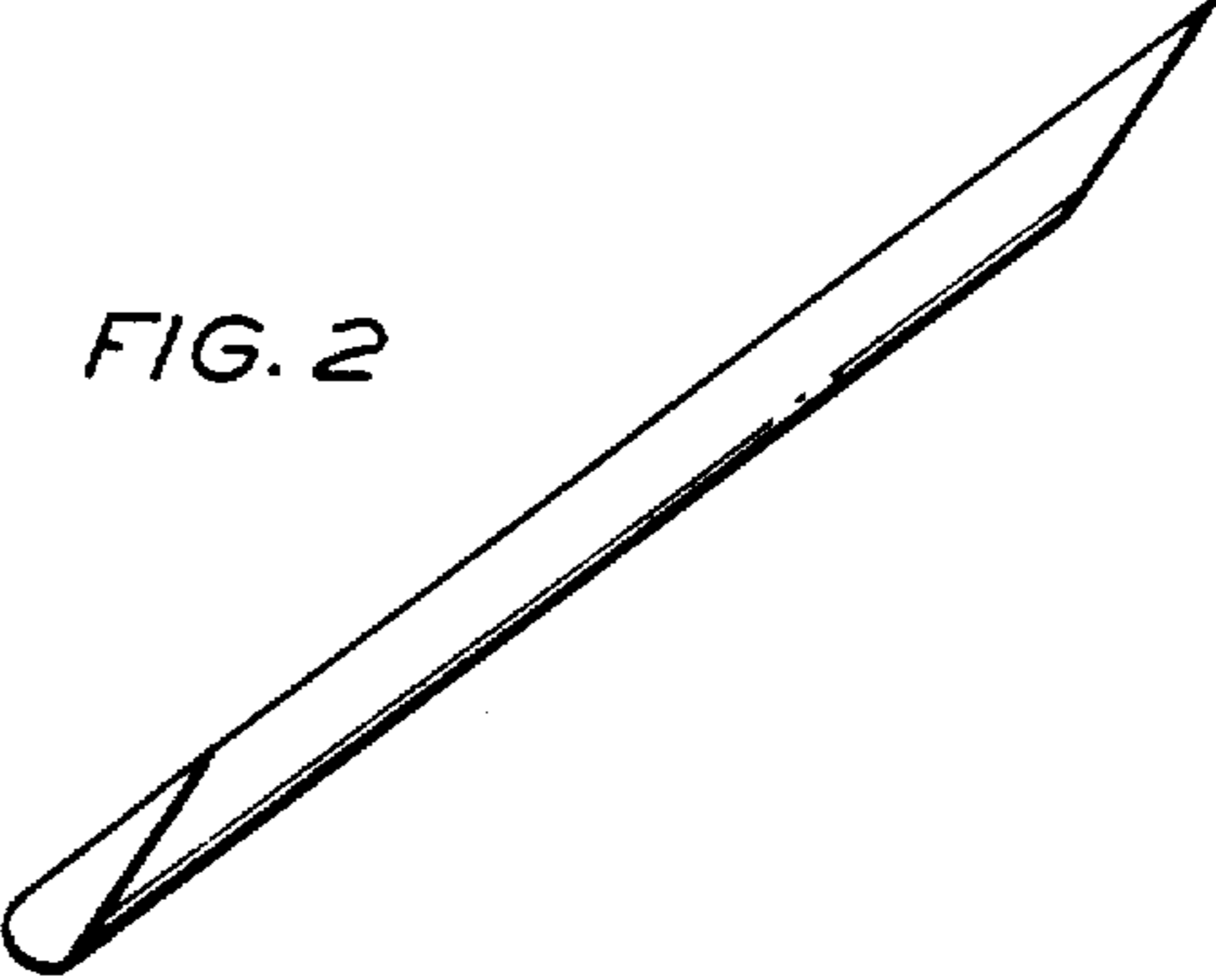


FIG. 3

