

[54] **VEHICLE LIGHT**

[75] **Inventor:** Garo M. Ziver, Pine City, N.Y.  
[73] **Assignee:** Corning Glass Works, Corning, N.Y.  
[\*\*] **Term:** 14 Years  
[21] **Appl. No.:** 289,263  
[22] **Filed:** Aug. 3, 1981

[51] **Int. Cl.** ..... D26-06  
[52] **U.S. Cl.** ..... D26/28  
[58] **Field of Search** ..... D26/26, 28, 29, 30,  
D26/31, 34, 35, 36; 362/61, 82, 83, 227, 235,  
240, 244, 246, 297, 307, 311, 326, 329, 346-350

[56] **References Cited**  
**U.S. PATENT DOCUMENTS**  
2,273,951 2/1942 Gibb ..... 362/61 X  
3,761,957 9/1973 Jarrett ..... 362/329 X

**FOREIGN PATENT DOCUMENTS**

1263197 2/1972 United Kingdom ..... 362/307  
2034110 5/1980 United Kingdom ..... 362/83

**OTHER PUBLICATIONS**

AUTO Katalog, 1978, über 1500 Autos (selected pages).

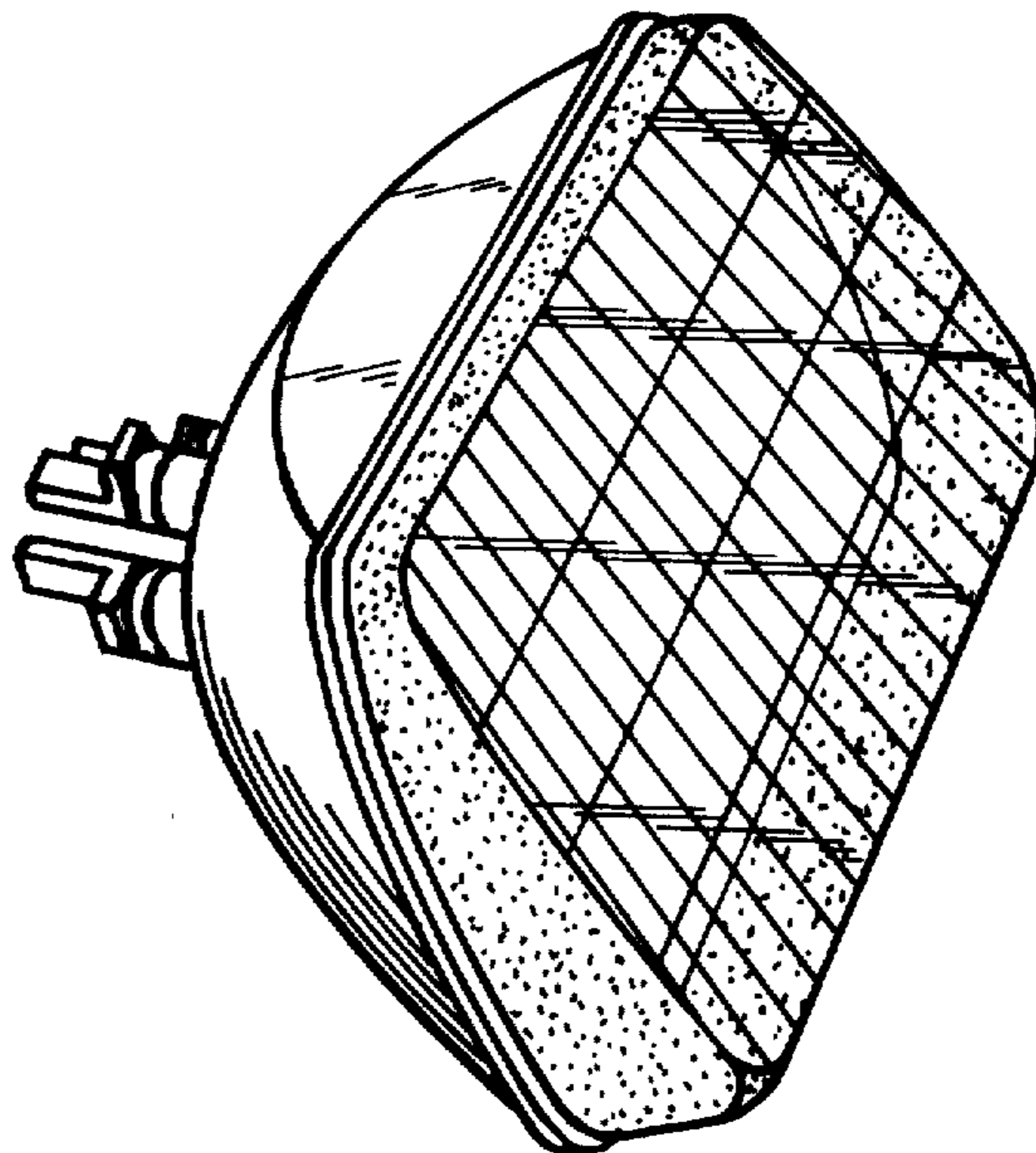
*Primary Examiner*—Susan J. Lucas  
*Attorney, Agent, or Firm*—Burton R. Turner

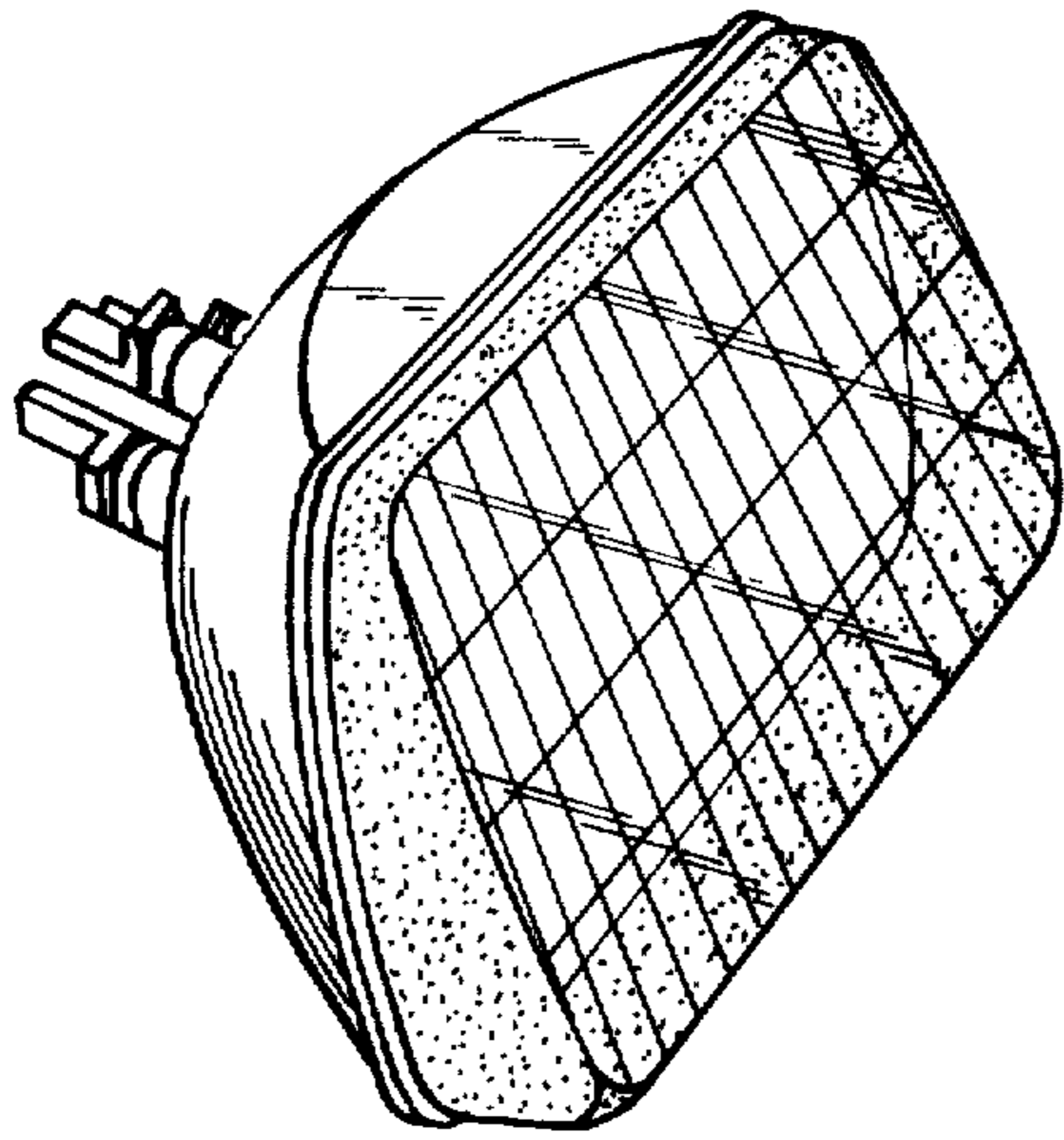
[57] **CLAIM**

The ornamental design for a vehicle light, as shown and described.

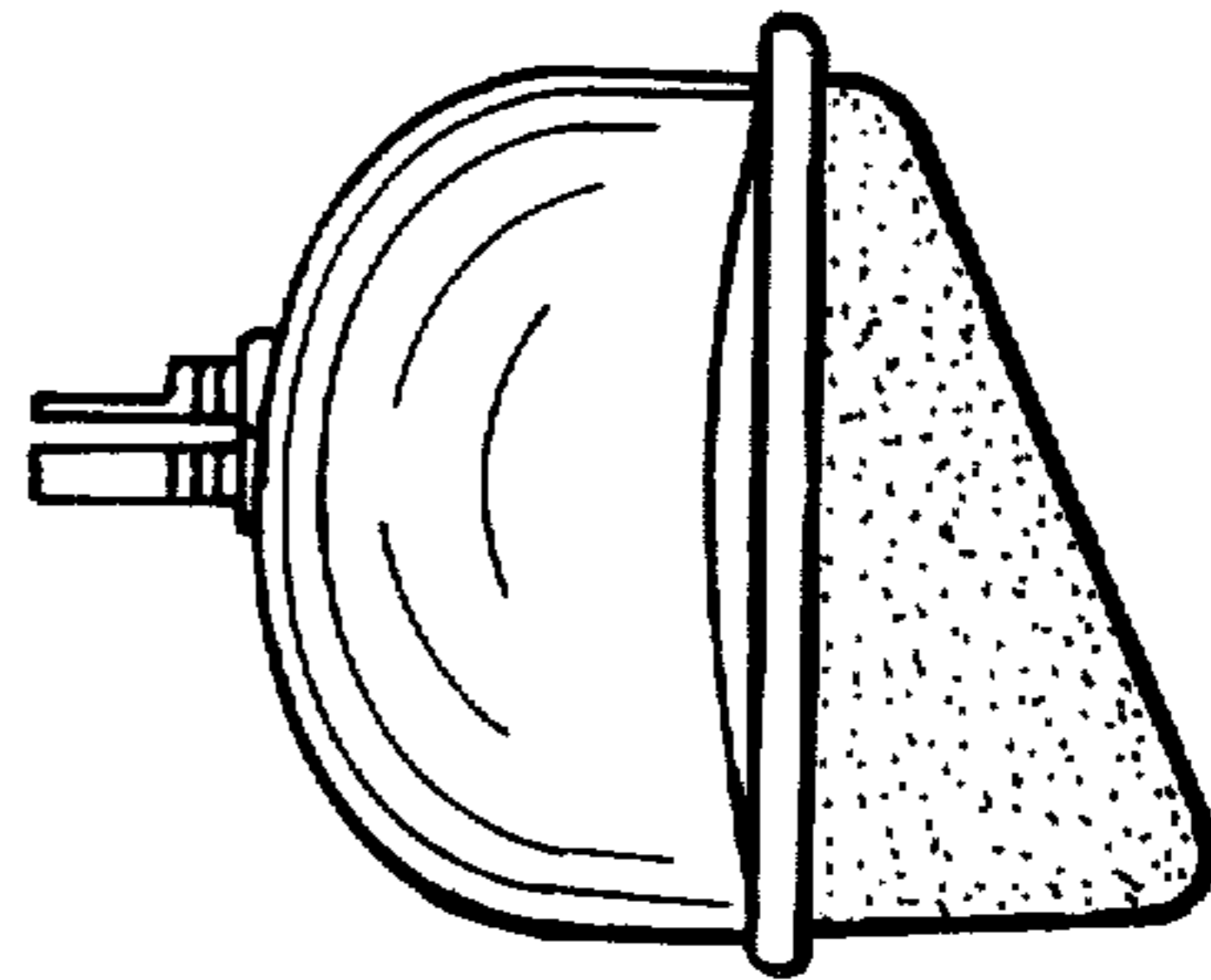
**DESCRIPTION**

FIG. 1 is a perspective view of a vehicle light showing my new design;  
FIG. 2 is a side elevational view thereof, the opposite side being a mirror image;  
FIG. 3 is a top plan view thereof;  
FIG. 4 is a bottom plan view thereof;  
FIG. 5 is a front elevational view thereof;  
FIG. 6 is a rear elevational view thereof.

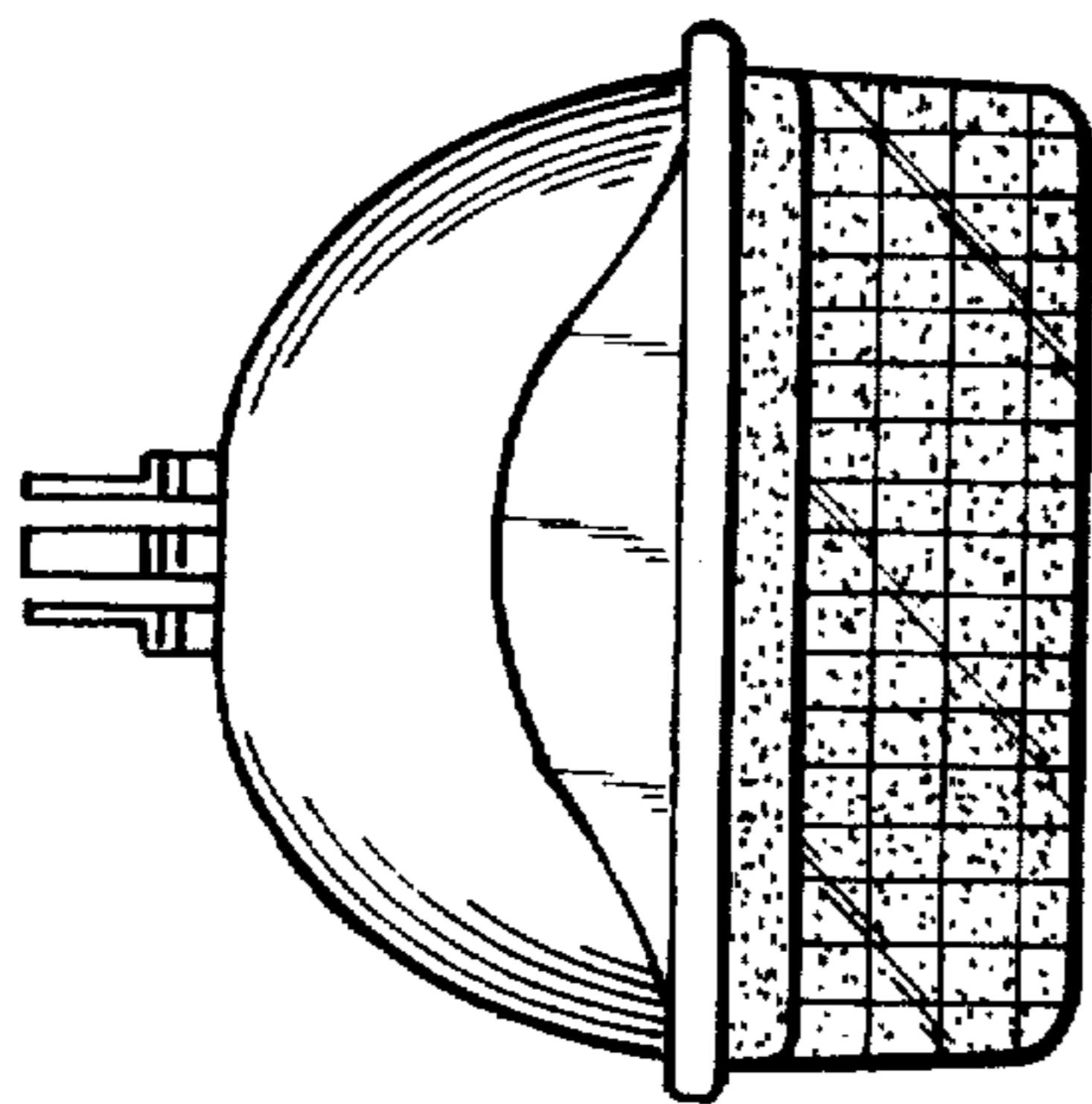




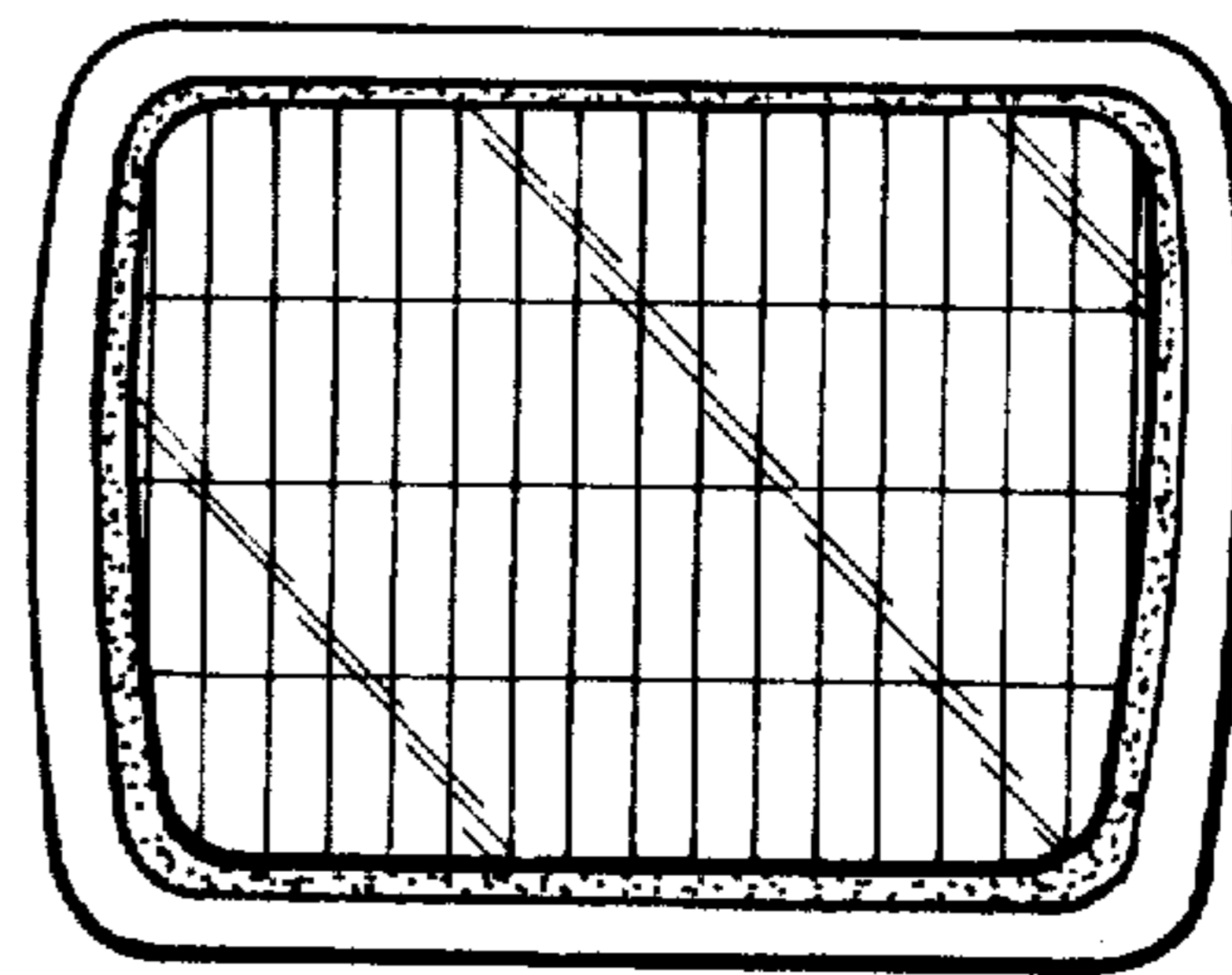
*Fig. 1*



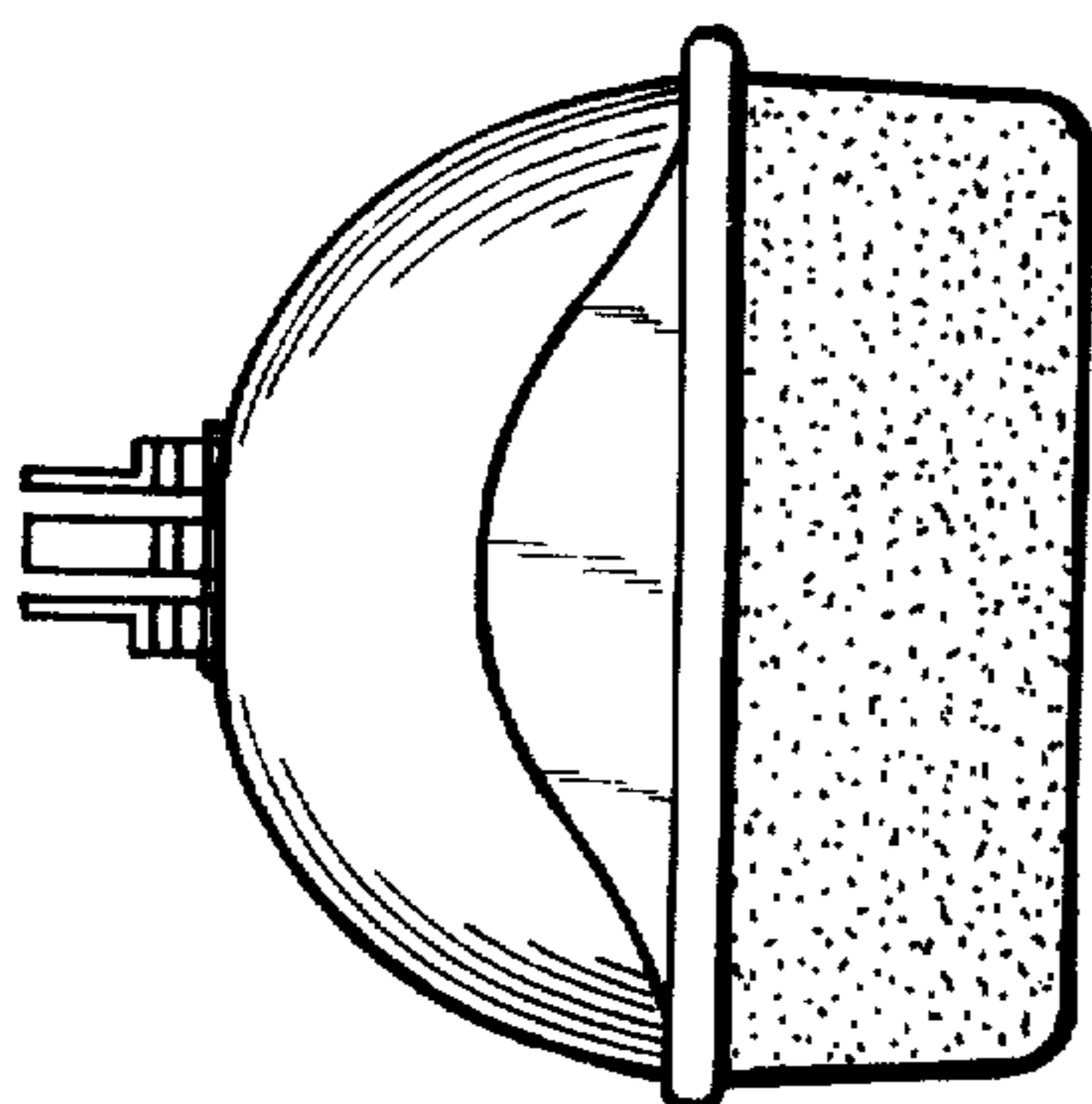
*Fig. 2*



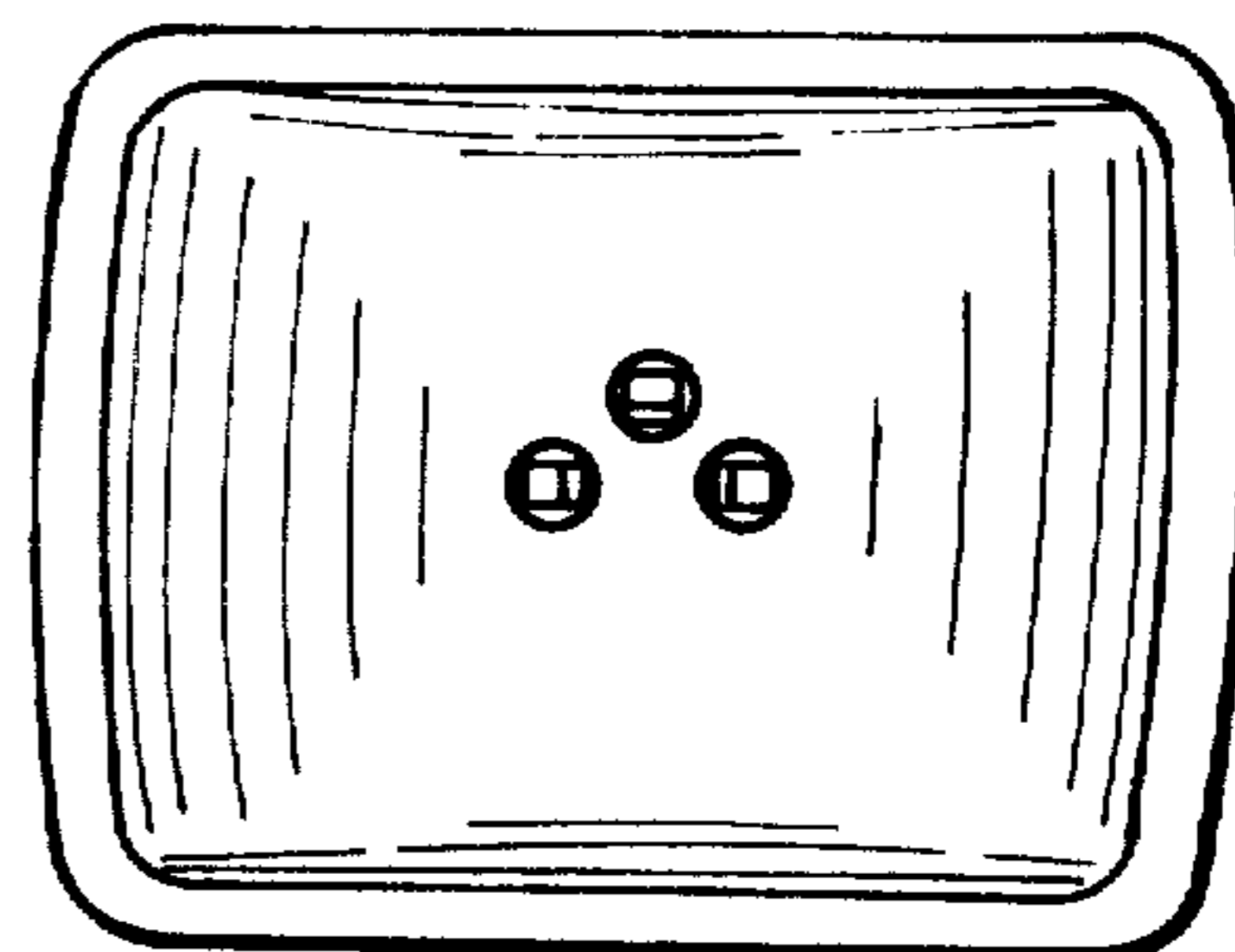
*Fig. 3*



*Fig. 5*



*Fig. 4*



*Fig. 6*