

[54] DECORATIVE SLAT ASSEMBLY FOR A SUSPENDED CEILING OR THE LIKE

[75] Inventor: Jacques G. L. Thual, Paris, France

[73] Assignee: Hunter Douglas International N.V., Willemstad-Curacao, Netherlands Antilles

[**] Term: 14 Years

[21] Appl. No.: 256,610

[22] Filed: Apr. 22, 1981

[30] Foreign Application Priority Data

Oct. 23, 1980 [FR] France 803288

[51] Int. Cl. D25-01

[52] U.S. Cl. D25/89; D25/58; D25/88

[58] Field of Search 52/483, 484, 485, 486, 52/488, 489, 660, 661, 665, 337; D25/80, 87, 88, 91, 92, 58

[56] References Cited

U.S. PATENT DOCUMENTS

- D. 260,040 7/1981 Maresca D25/91
- 3,774,024 11/1973 Deaton 52/484 X
- 3,911,638 10/1975 Englund et al. 52/665 X
- 4,027,446 6/1977 Henricks 52/483 X

Primary Examiner—A. Hugo Word
Attorney, Agent, or Firm—Pennie & Edmonds

[57] CLAIM

The ornamental design for a decorative slat assembly for a suspended ceiling or the like, substantially as described and shown.

DESCRIPTION

FIG. 1 is a front perspective view from one side and above of the inventive decorative slat assembly for a suspended ceiling;

FIG. 2 is a rear elevation of a slat assembly for a suspended ceiling, illustrated in FIG. 1;

FIG. 3 is a side elevation of the slat assembly for a suspended ceiling of FIG. 1, viewed from the other side;

FIG. 4 is a bottom view of the slat assembly for a suspended ceiling illustrated in FIG. 1;

FIG. 5 is a front view of the slat assembly for a suspended ceiling, illustrated in FIG. 1, but in an alternative position.

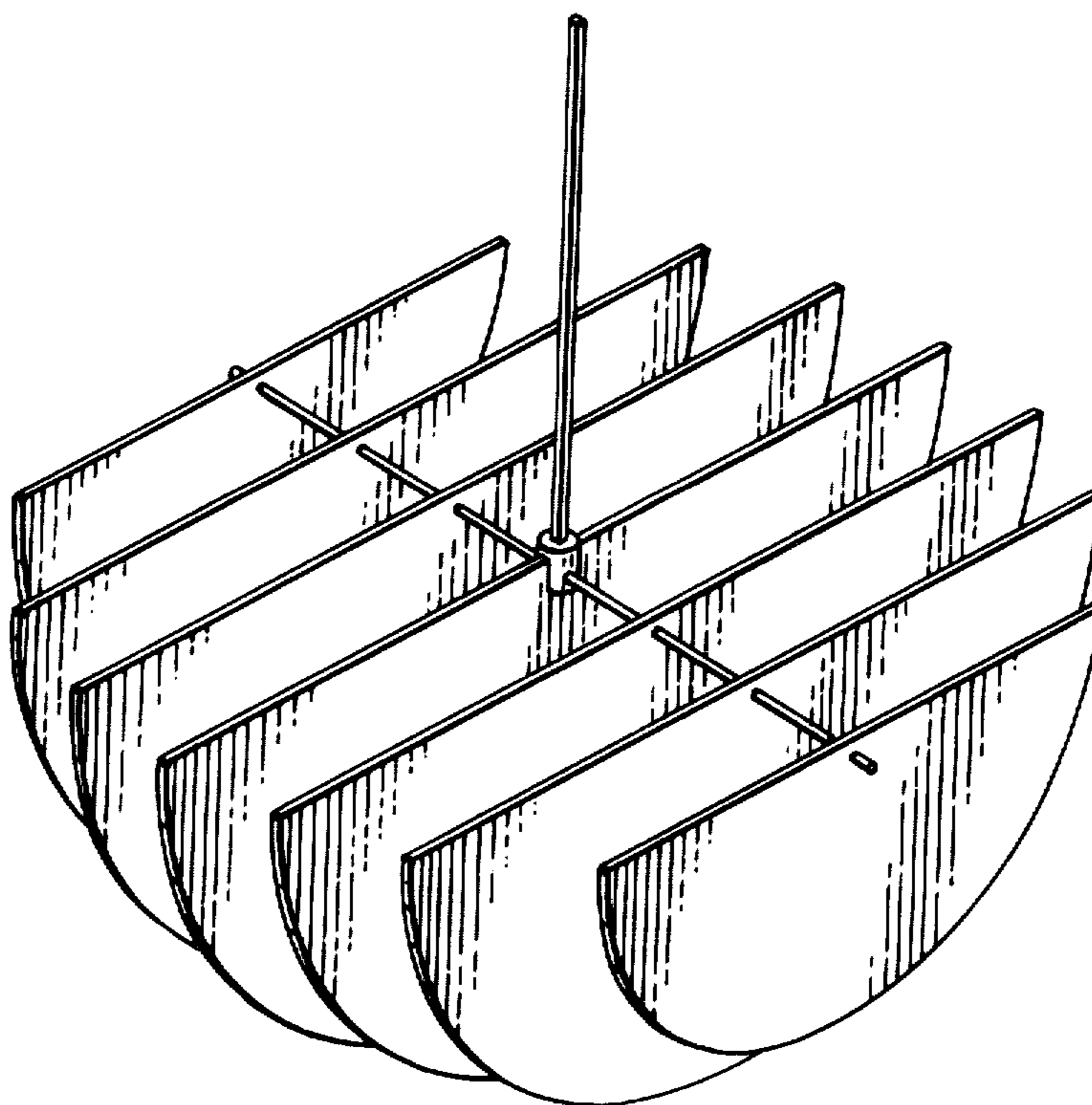


Fig. 1.

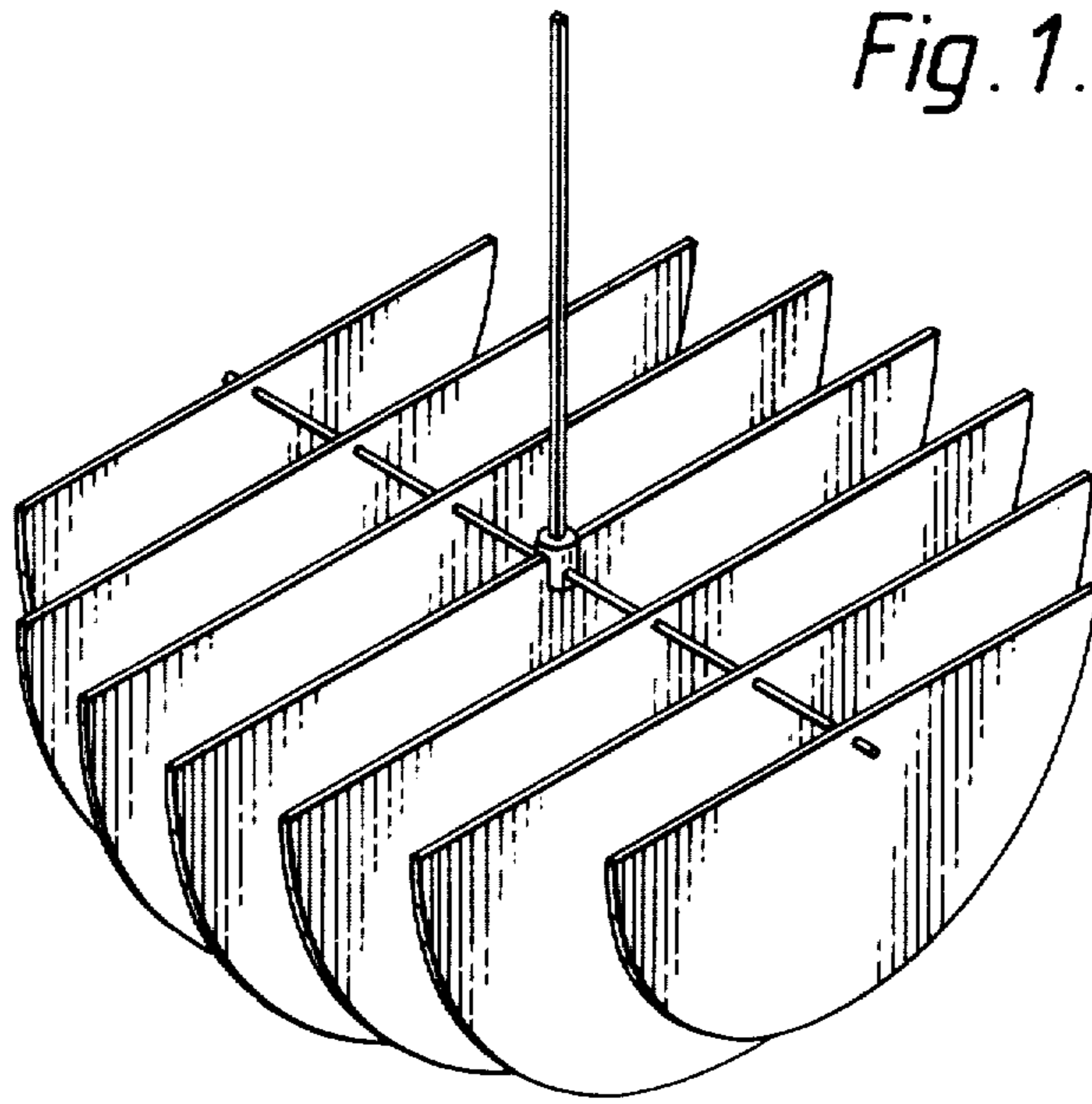


Fig. 2.

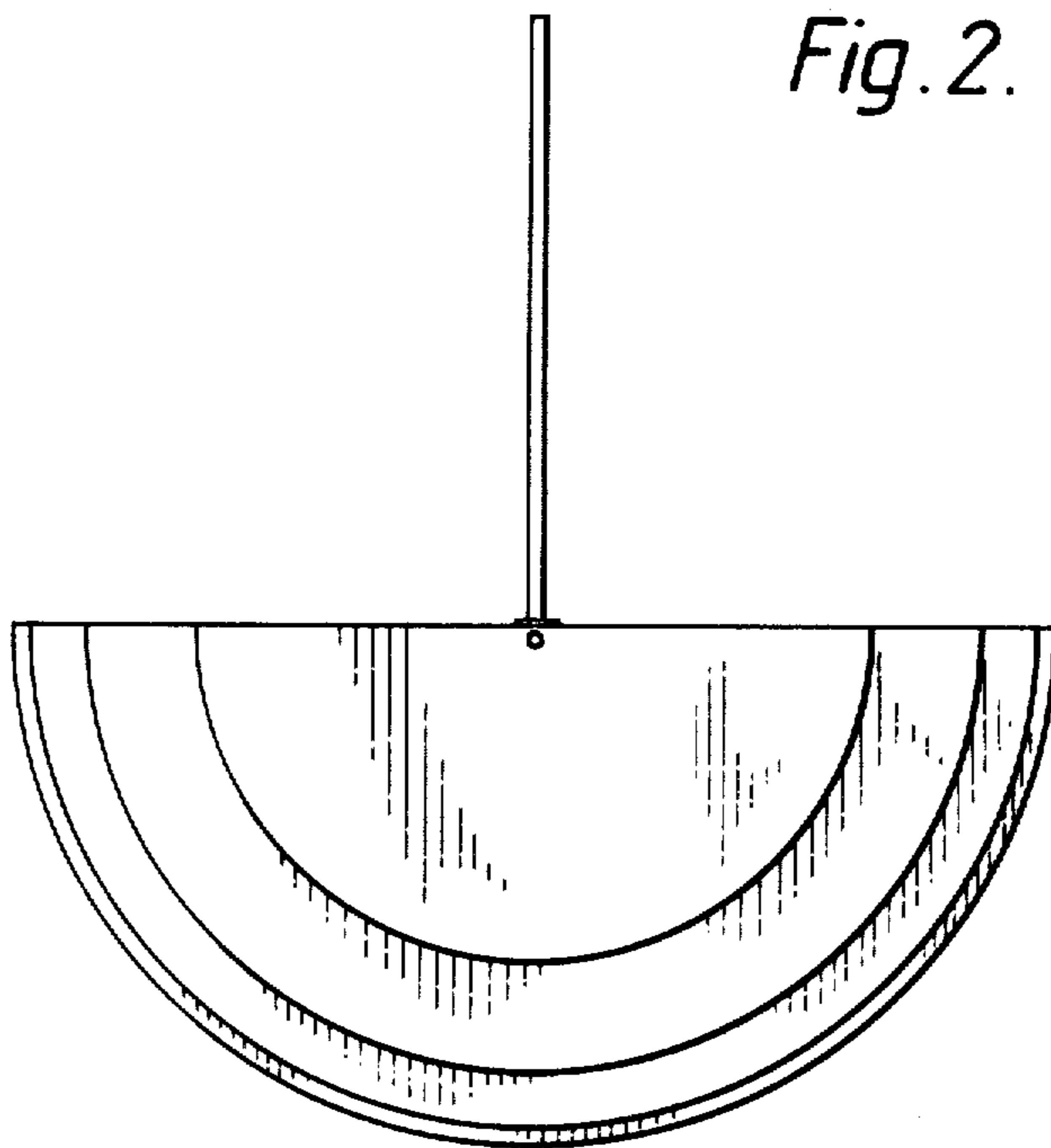


Fig. 3.

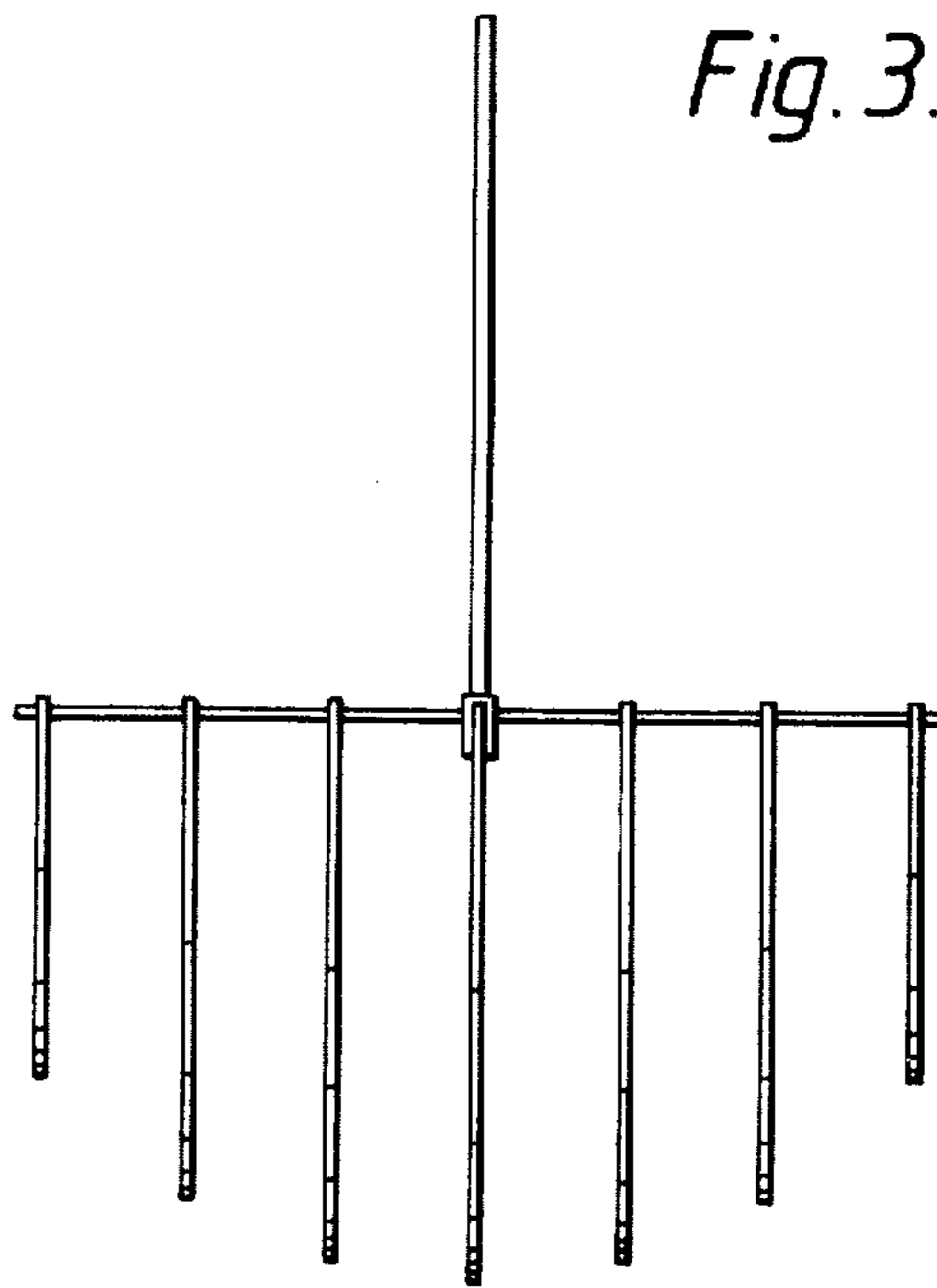


Fig. 4.

