

[54] PUMP CASSETTE FOR AN IV PUMP APPARATUS

[75] Inventor: John L. Vcelka, Zion, Ill.

[73] Assignee: Abbott Laboratories, North Chicago, Ill.

[\*\*] Term: 14 Years

[21] Appl. No.: 260,133

[22] Filed: May 4, 1981

[51] Int. Cl. .... D24-02

[52] U.S. Cl. .... D24/8; D24/21; D24/99

[58] Field of Search ..... 604/246, 250, 151, 153; D24/8, 99, 17, 21

[56] References Cited

U.S. PATENT DOCUMENTS

- D. 235,926 7/1975 Olson ..... D24/8
- D. 251,067 2/1979 Zissimopoulos ..... D24/8

- D. 264,134 4/1982 Xanthopoulos ..... D24/8
- 4,142,523 3/1979 Stegeman ..... 604/246
- 4,273,121 6/1981 Jassawalla ..... 604/250
- 4,300,552 11/1981 Cannon ..... 604/246 X

Primary Examiner—Bernard Ansher  
Attorney, Agent, or Firm—Neil E. Hamilton; Robert L. Niblack

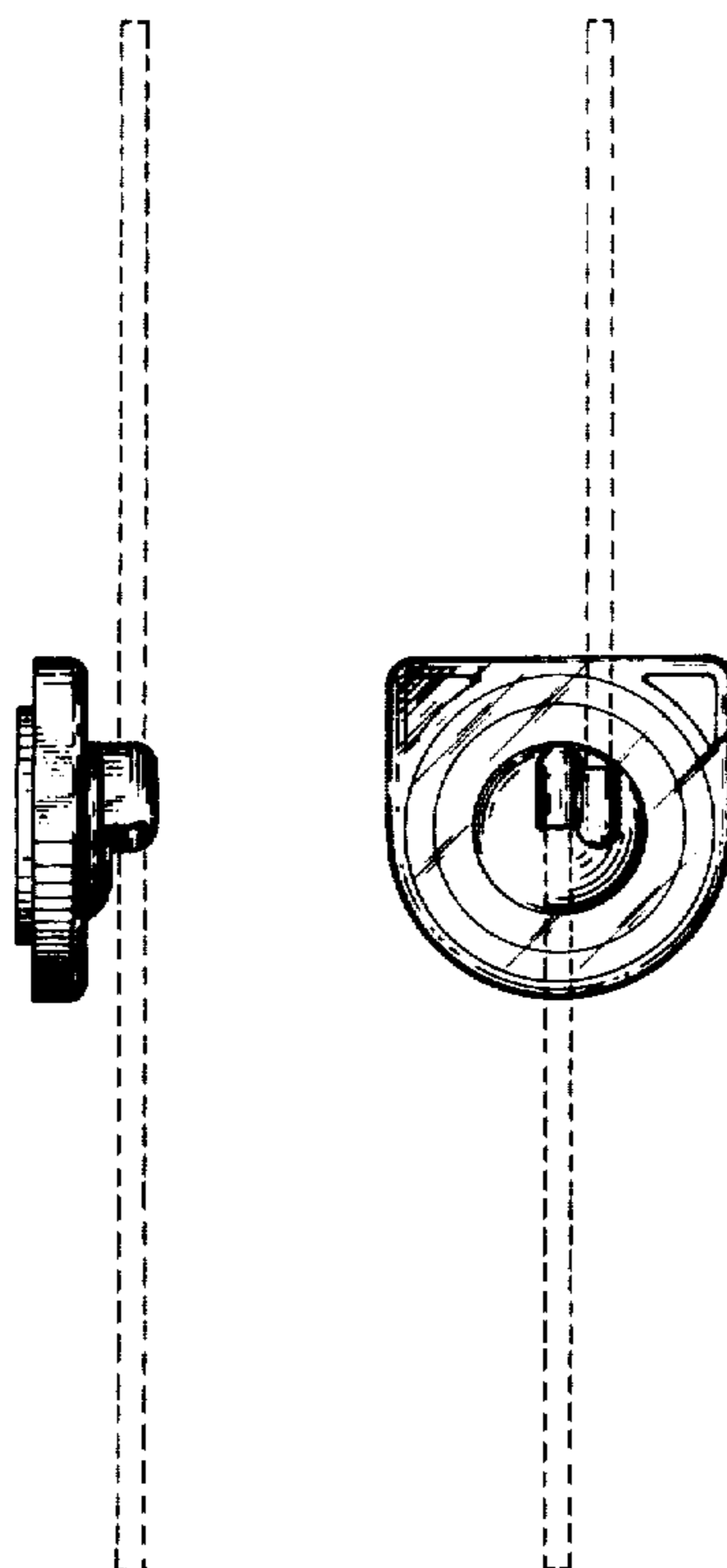
[57] CLAIM

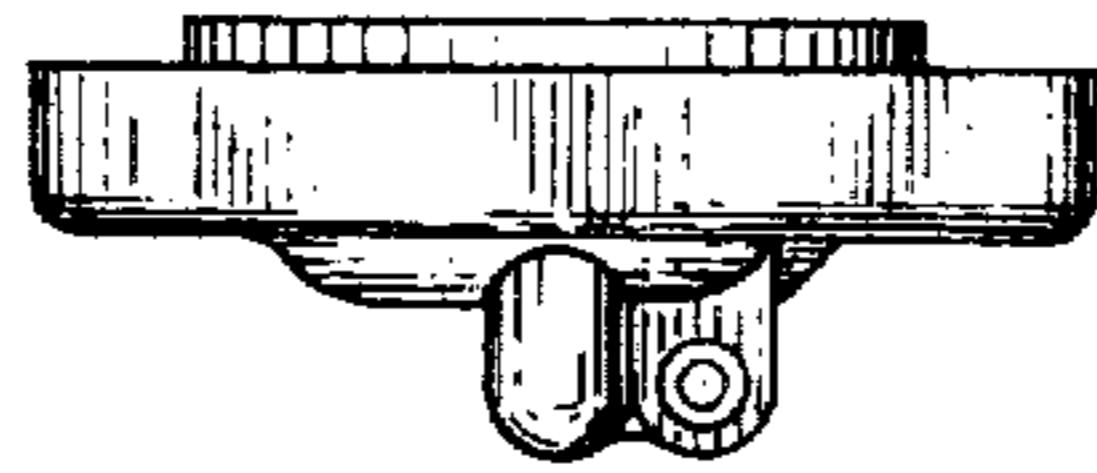
The ornamental design for a pump cassette for an IV pump apparatus, substantially as shown and described.

DESCRIPTION

FIG. 1 is a top plan view of a pump cassette for an IV pump apparatus;  
FIG. 2 is a side elevational view;  
FIG. 3 is a front elevational view;  
FIG. 4 is a side elevational view opposite FIG. 2;  
FIG. 5 is a rear elevation view; and  
FIG. 6 is a bottom plan view.

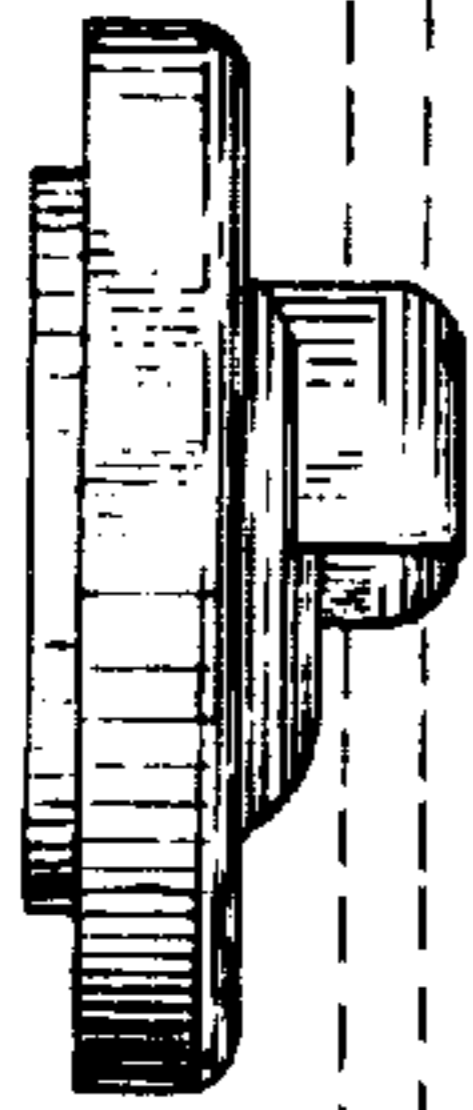
The broken line showing of IV tubing in FIGS. 2, 3 and 4 is for illustrative purposes only.



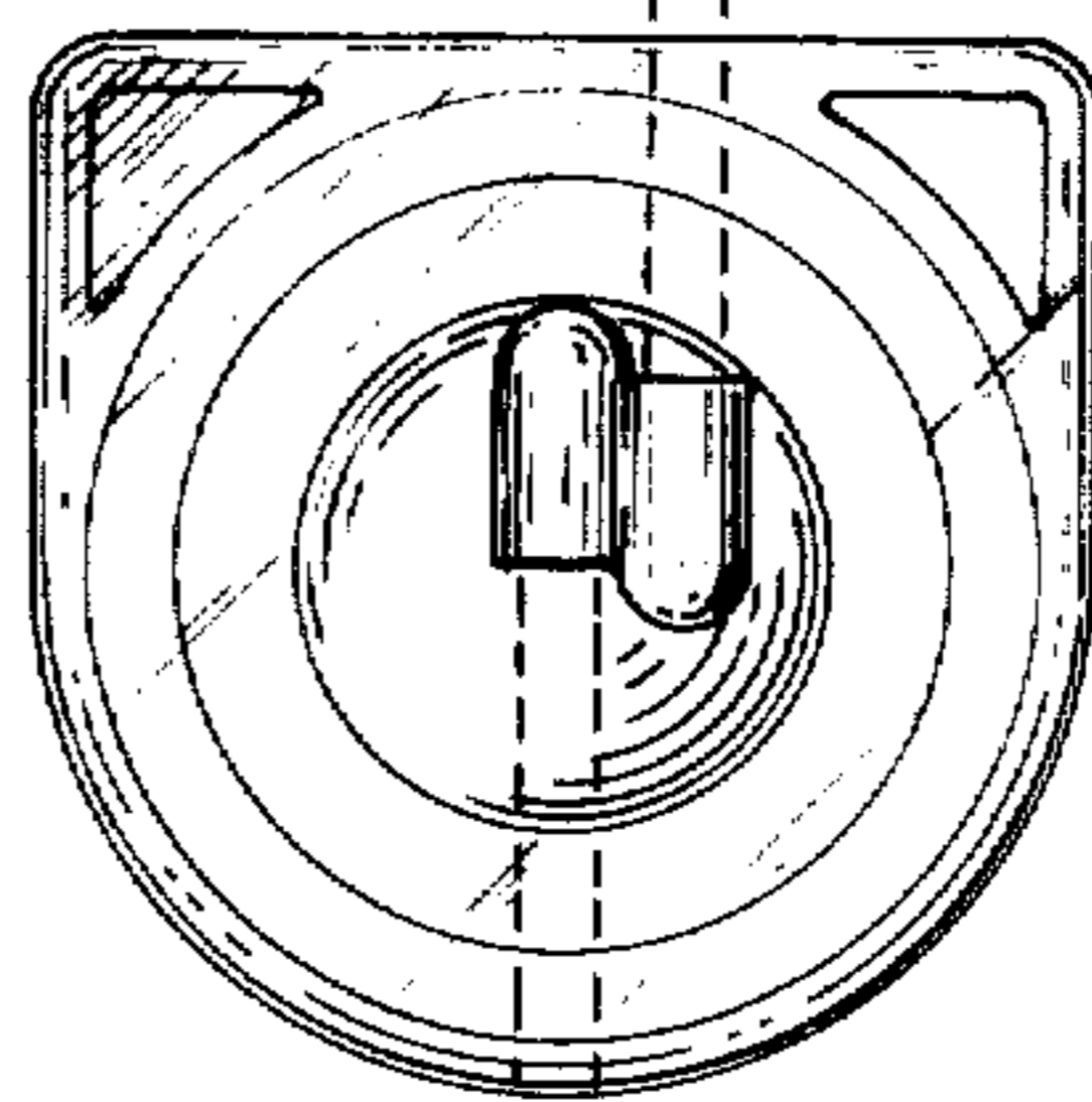


*Fig. 1.*

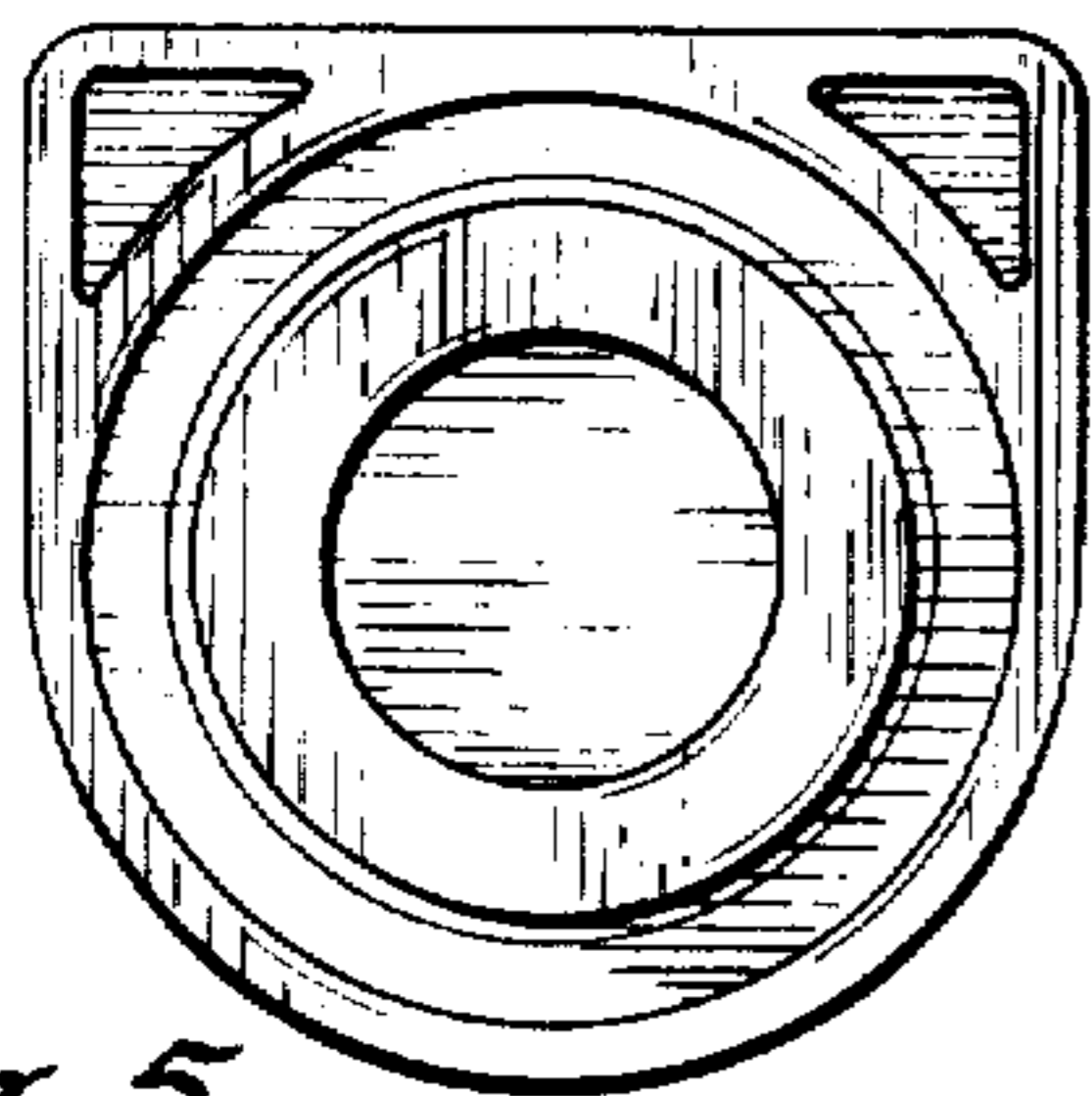
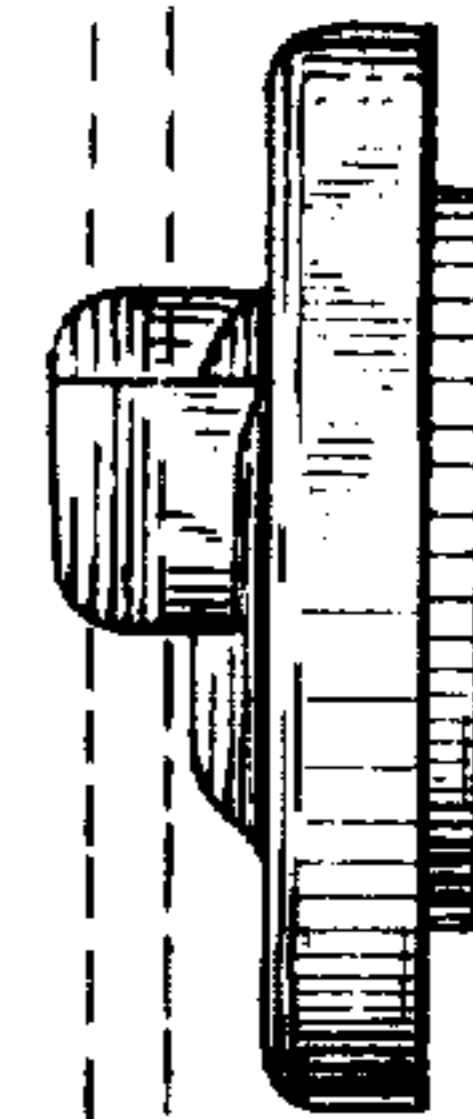
*Fig. 2.*



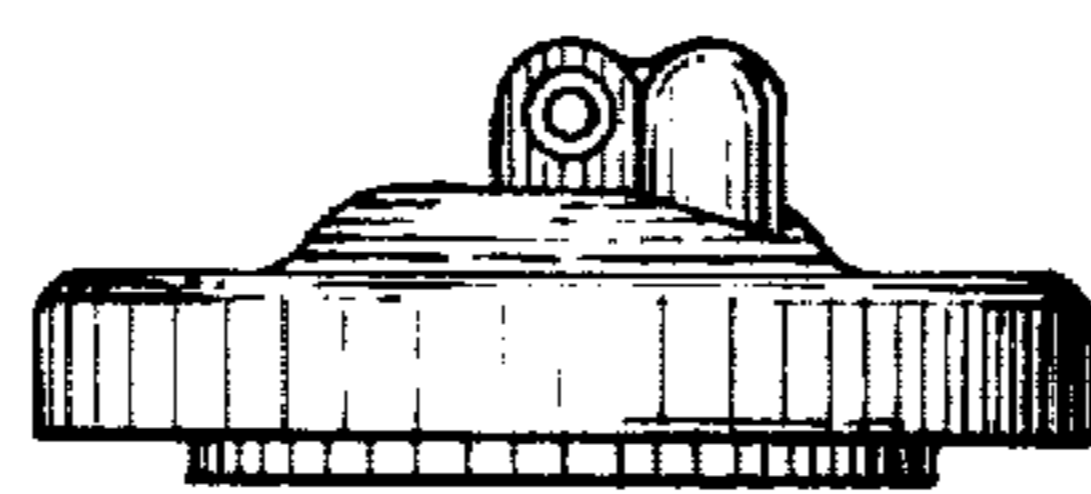
*Fig. 3.*



*Fig. 4.*



*Fig. 5.*



*Fig. 6.*