

[54] EXTERNAL OVEN FOR A WOOD-BURNING STOVE

[75] Inventor: Keith Yarwood, College Place, Wash.

[73] Assignee: Woodcutters Manufacturing, Inc., Walla Walla, Wash.

[**] Term: 14 Years

[21] Appl. No.: 215,566

[22] Filed: Dec. 12, 1980

[51] Int. Cl. D23-03

[52] U.S. Cl. D23/127; D23/97

[58] Field of Search D23/92-97, D23/127; 126/4, 6, 58, 60-66, 120, 121

[56] References Cited

U.S. PATENT DOCUMENTS

697,091 4/1902 Kistler 126/4

OTHER PUBLICATIONS

Home Energy Digest & Wood Burning Quarterly, Winter 1978, p. 57, "Wood Burners Oven".

Primary Examiner—Catherine E. Kemper
Attorney, Agent, or Firm—Chernoff, Vilhauer, McClung, Birdwell & Stenzel

[57] CLAIM

The ornamental design for an external oven for a wood-burning stove, as shown and described.

DESCRIPTION

FIG. 1 is a perspective view showing the top, left side and front of an external oven for wood-burning stove, showing my new design;

FIG. 2 is a perspective view showing the right side, bottom, and back thereof;

FIG. 3 is a front elevational view, at an enlarged scale, thereof, and

FIG. 4 is a right side elevational view, at an enlarged scale, thereof.

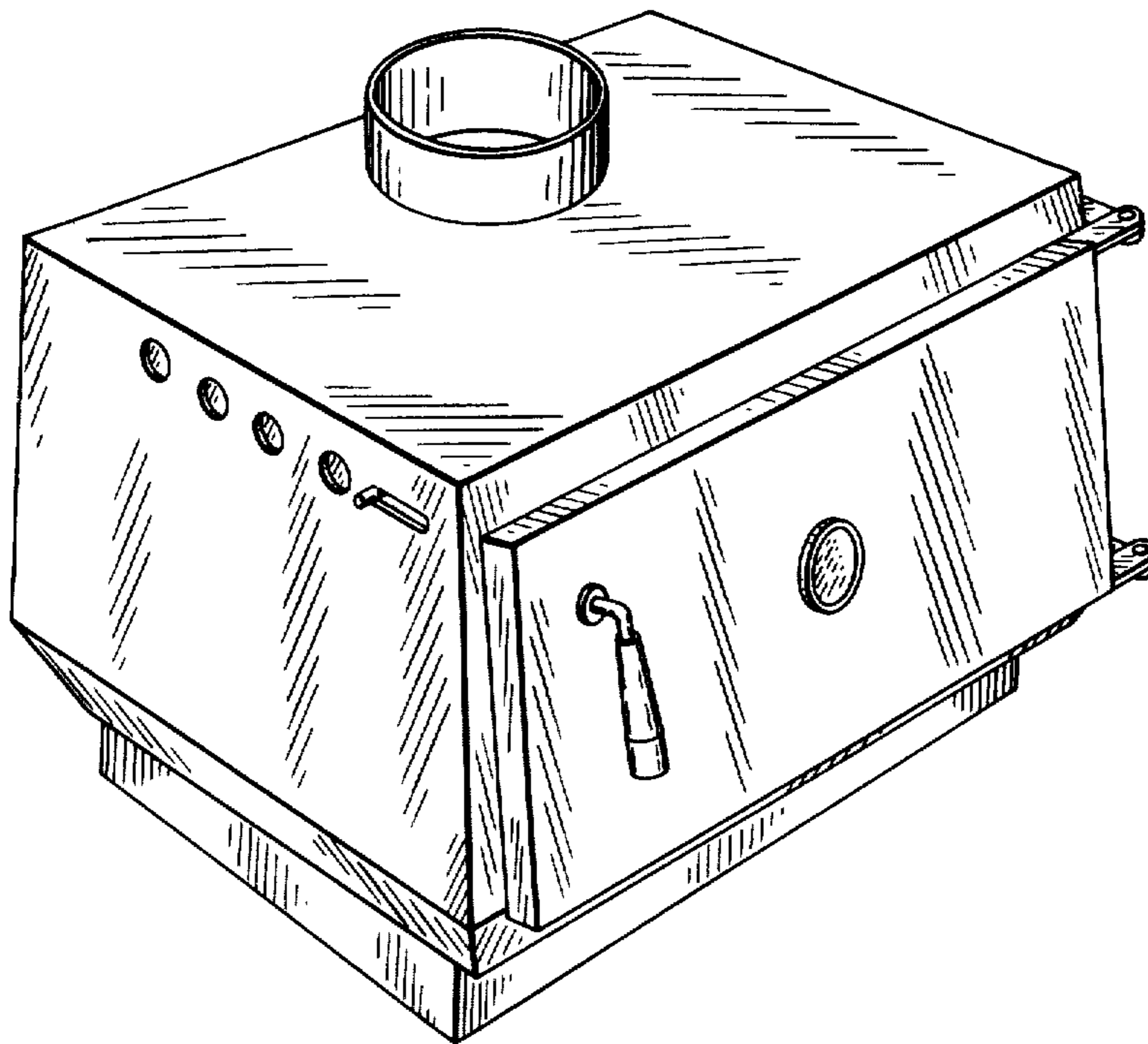


FIG. 1

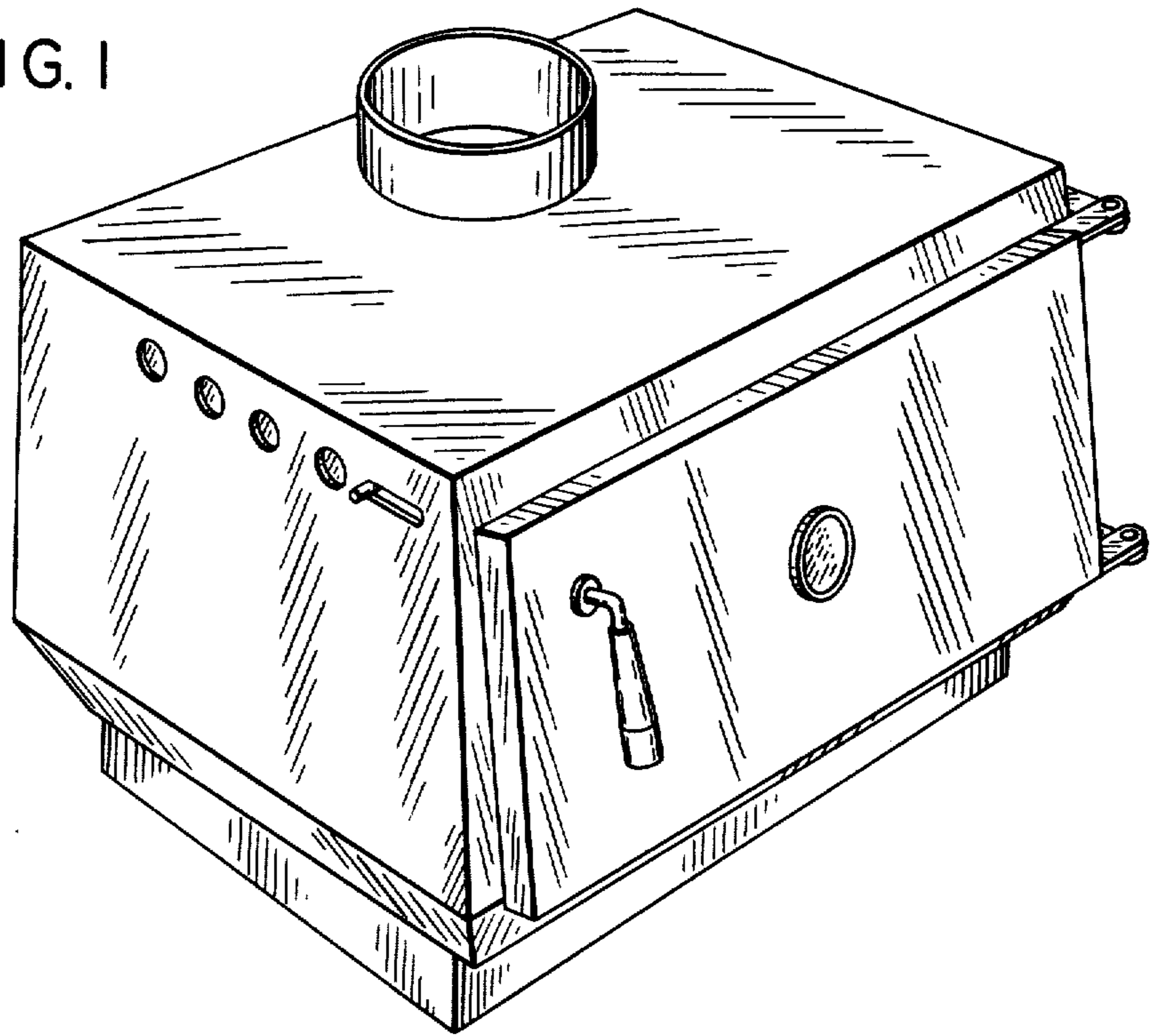


FIG. 2

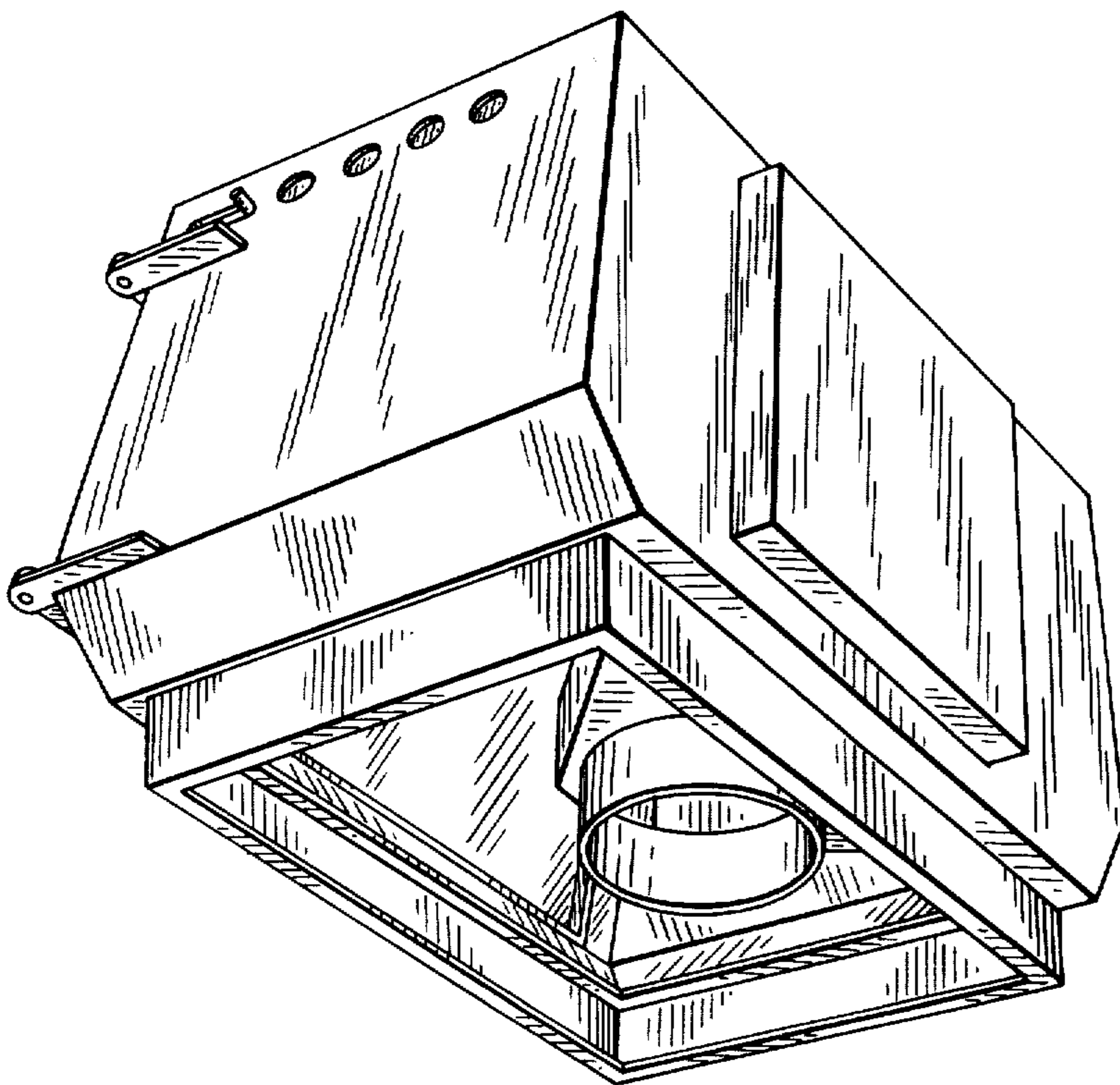


FIG. 3

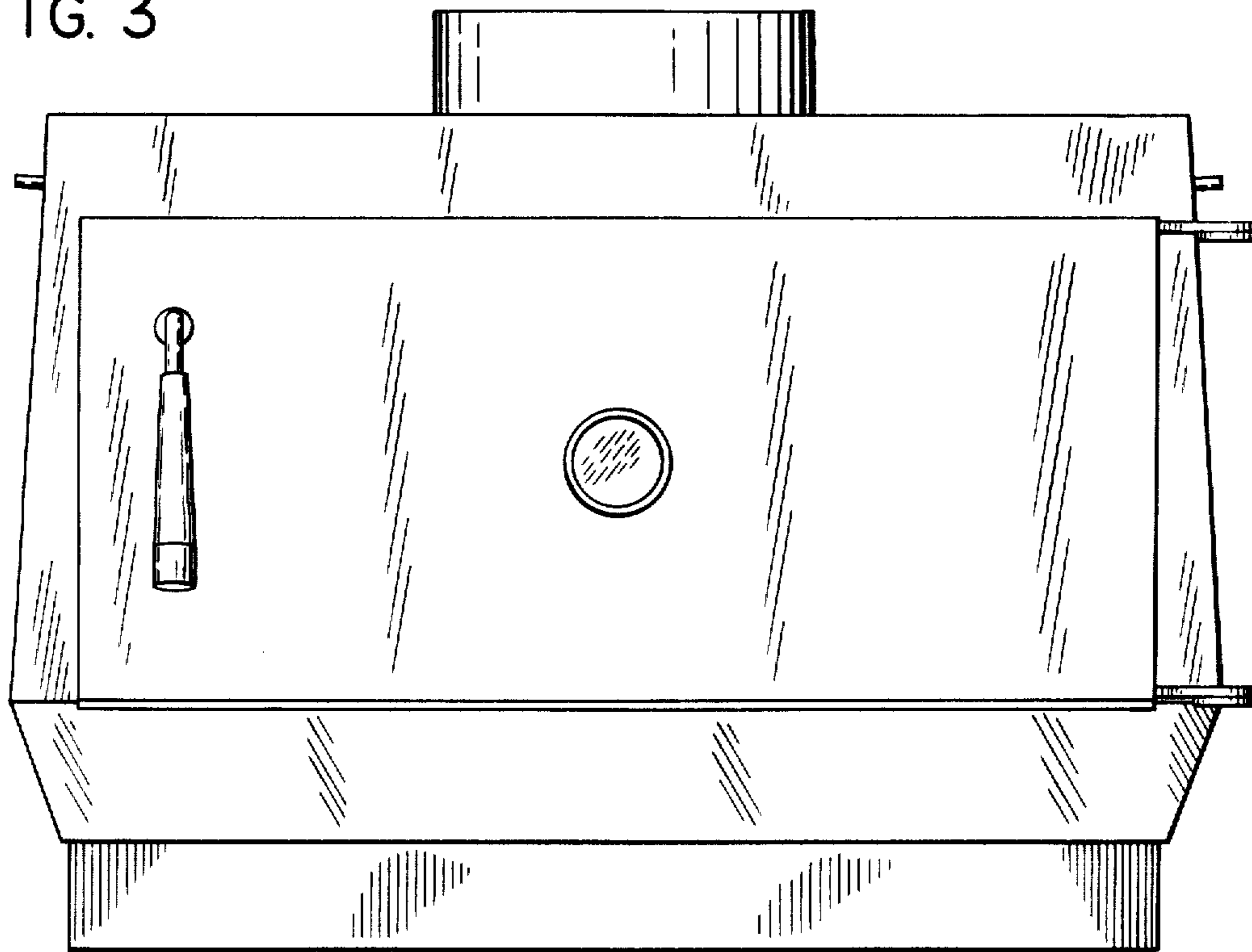


FIG. 4

