

[54] **FIREPLACE OR SIMILAR ARTICLE**

[75] **Inventor:** Terry G. Schoeff, Andrews, Ind.

[73] **Assignee:** American Standard Inc., New York, N.Y.

[**] **Term:** 14 Years

[21] **Appl. No.:** 198,737

[22] **Filed:** Oct. 20, 1980

[51] **Int. Cl.** D23-03
[52] **U.S. Cl.** D23/97
[58] **Field of Search** D23/72, 92-97;
126/120, 121, 123, 126, 138

[56] **References Cited**

U.S. PATENT DOCUMENTS

D. 247,973	5/1978	Bergstrom	D23/94
D. 263,492	3/1982	Schaafsman	D23/93
4,026,264	5/1977	Henriques	126/120 X
4,166,444	9/1979	Martenson	126/120 X

Primary Examiner—Catherine E. Kemper
Attorney, Agent, or Firm—James J. Salerno, Jr.; Robert G. Crooks; John P. Sinnott

[57] **CLAIM**

The ornamental design for a fireplace or similar article, substantially as shown and described.

DESCRIPTION

FIG. 1 is a top isometric view of a fireplace or similar article, showing my new design; FIG. 2 is a top plan view thereof; and FIG. 3 is a rear elevational view thereof.

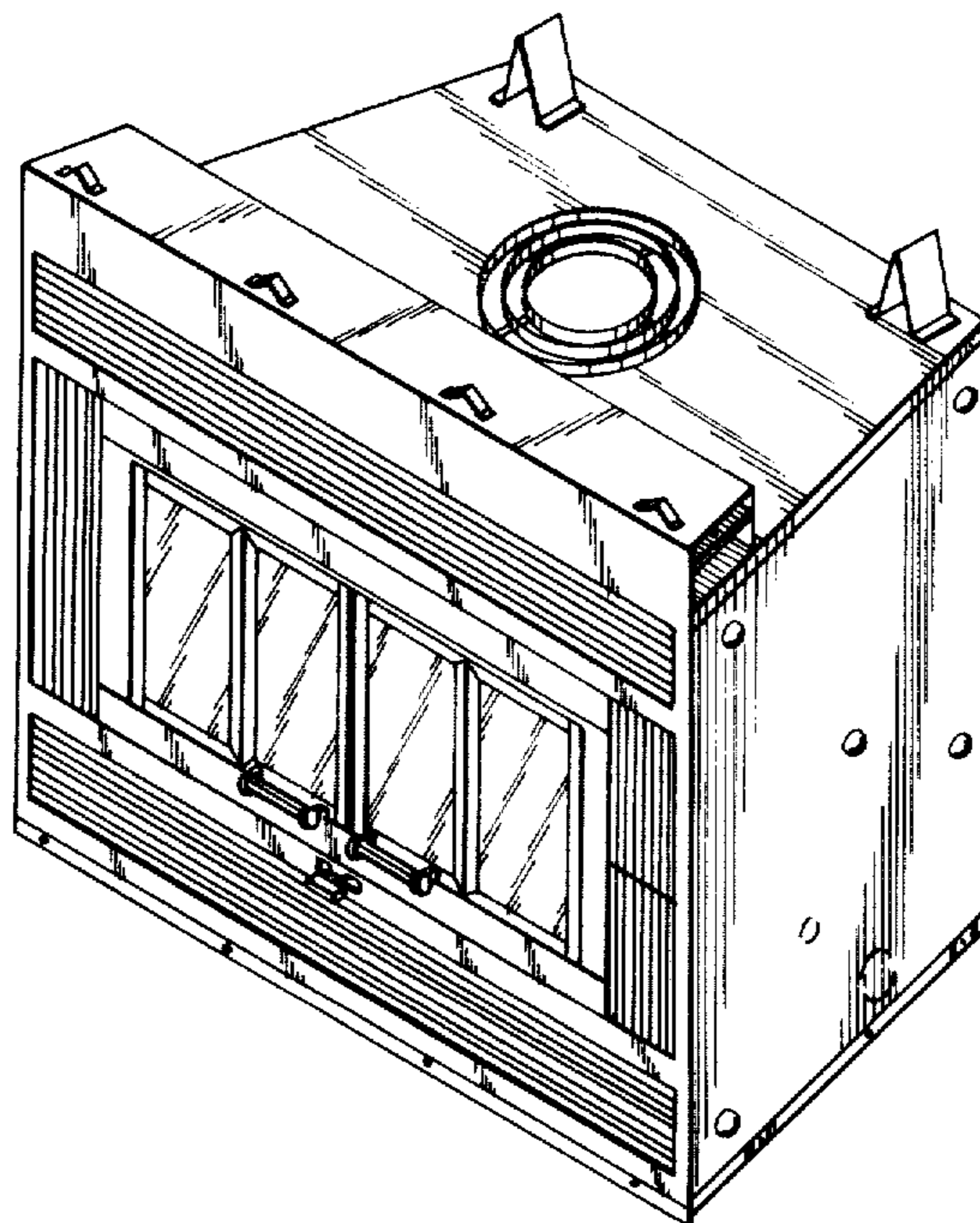


FIG. 1

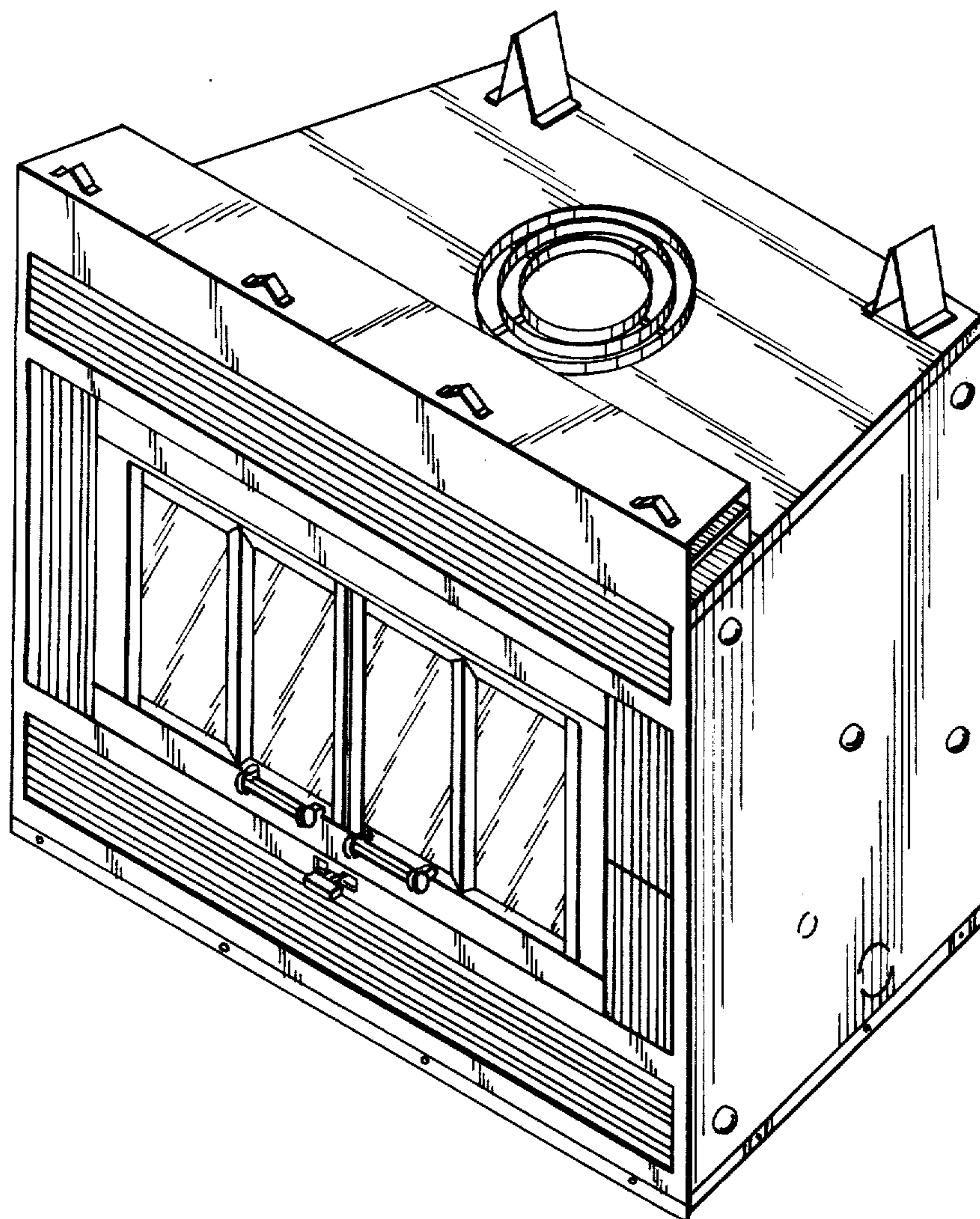


FIG. 2

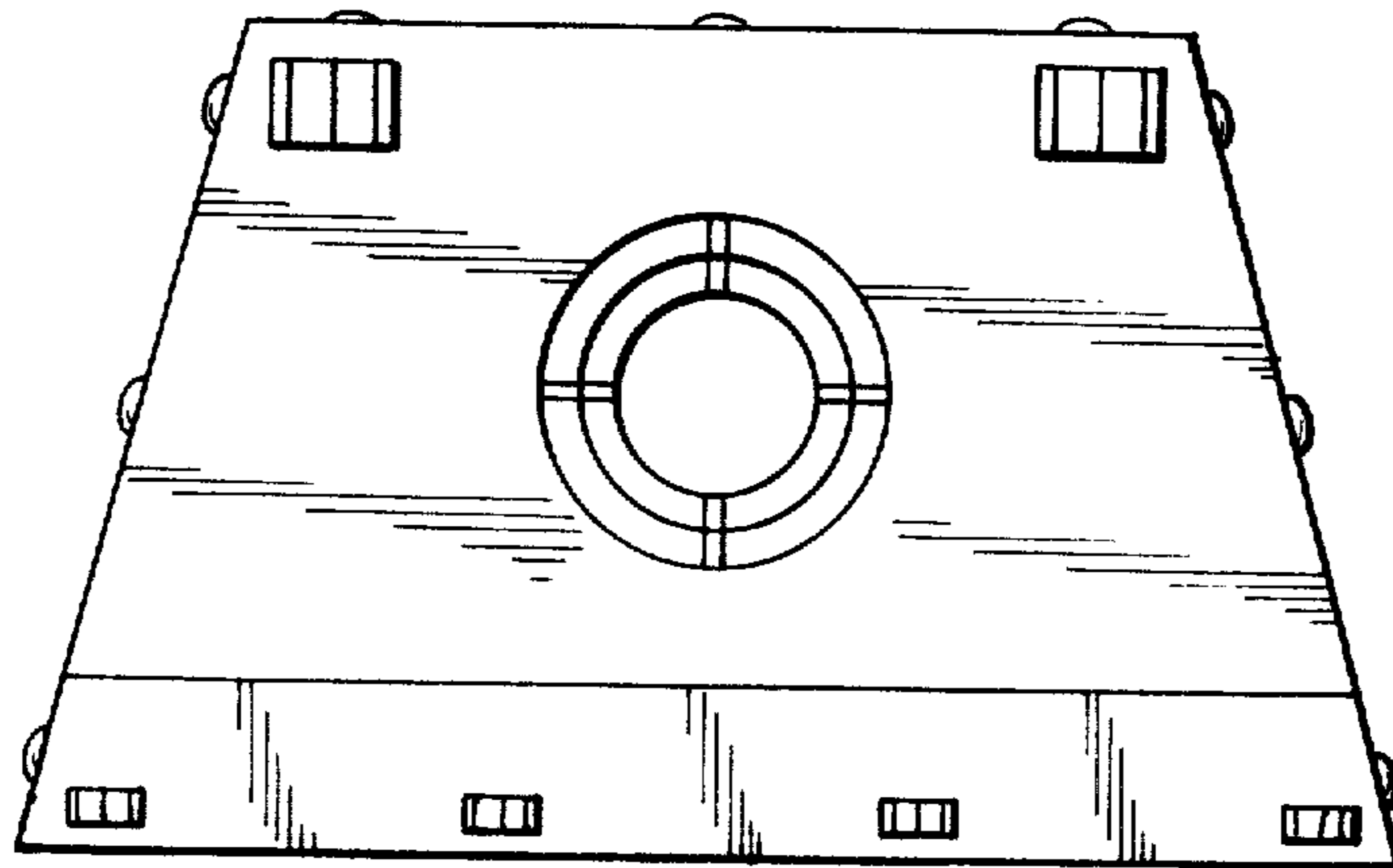


FIG. 3

