

[54] FISHING REEL

[75] Inventors: Robert W. Fee, Wichita; Richard J. Robbins, Derby, both of Kans.

[73] Assignee: Brunswick Corporation, Skokie, Ill.

[*] Notice: The portion of the term of this patent subsequent to Jun. 21, 2000, has been disclaimed.

[**] Term: 14 Years

[21] Appl. No.: 284,071

[22] Filed: Jul. 16, 1981

[51] Int. Cl. D22-05

[52] U.S. Cl. D22/25

[58] Field of Search 242/84.1 R, 84.2 R, 242/84.2 A; D22/25

[56] References Cited

U.S. PATENT DOCUMENTS

4,331,303 5/1982 Moss 242/84.2 A

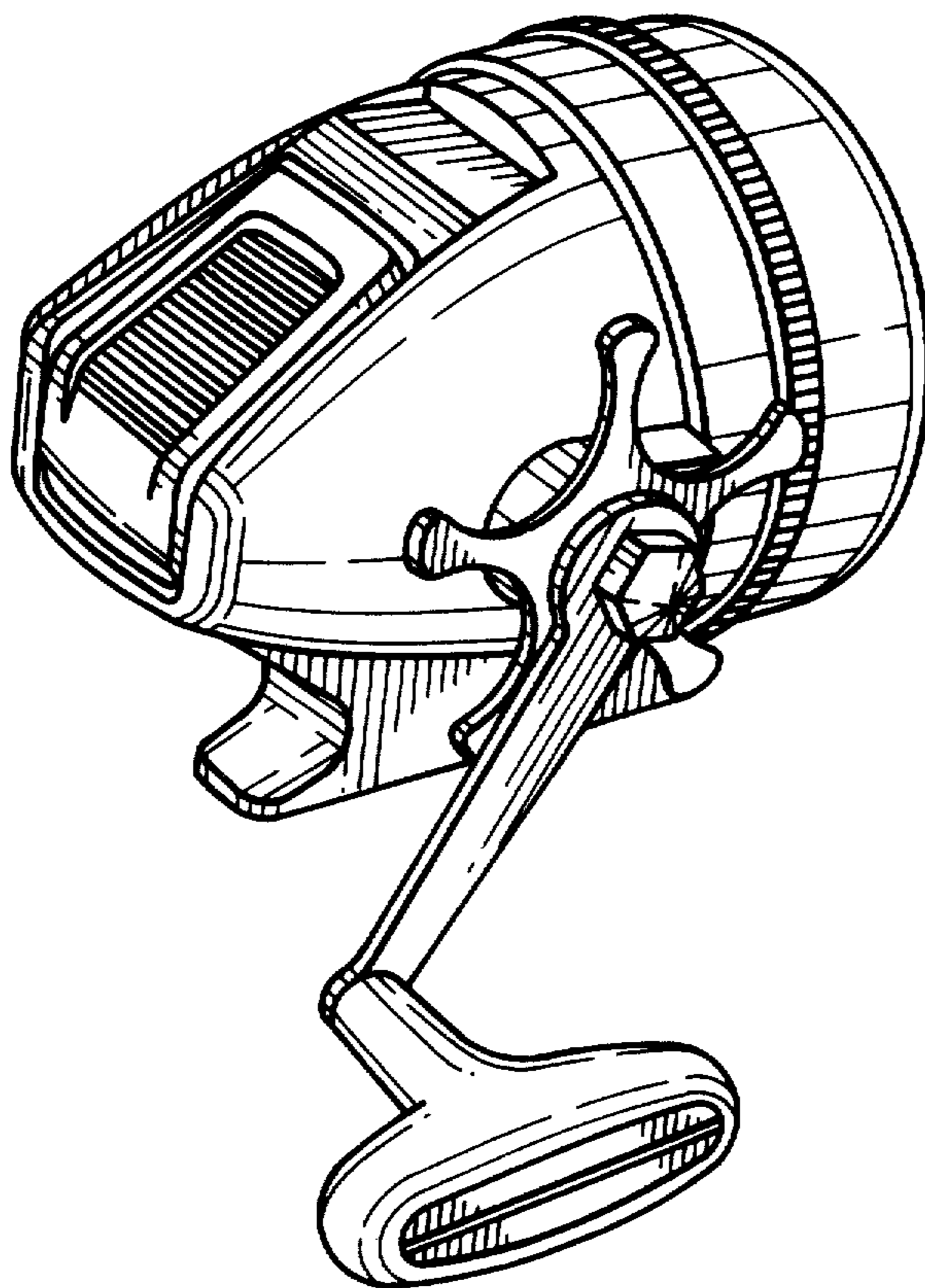
Primary Examiner—A. Hugo Word
Attorney, Agent, or Firm—John G. Heimovics

[57] CLAIM

The ornamental design of a fishing reel, as shown and described.

DESCRIPTION

FIG. 1 is a perspective view of a front and side portion of the fishing reel showing our new design; FIG. 2 is a perspective view of a back and side portion of the fishing reel showing our new design; FIG. 3 is a side elevation view thereof; FIG. 4 is a front elevation view thereof; FIG. 5 is a top plan view thereof; FIG. 6 is a side elevation view thereof; FIG. 7 is a back elevation view thereof; and, FIG. 8 is a bottom plan view thereof.



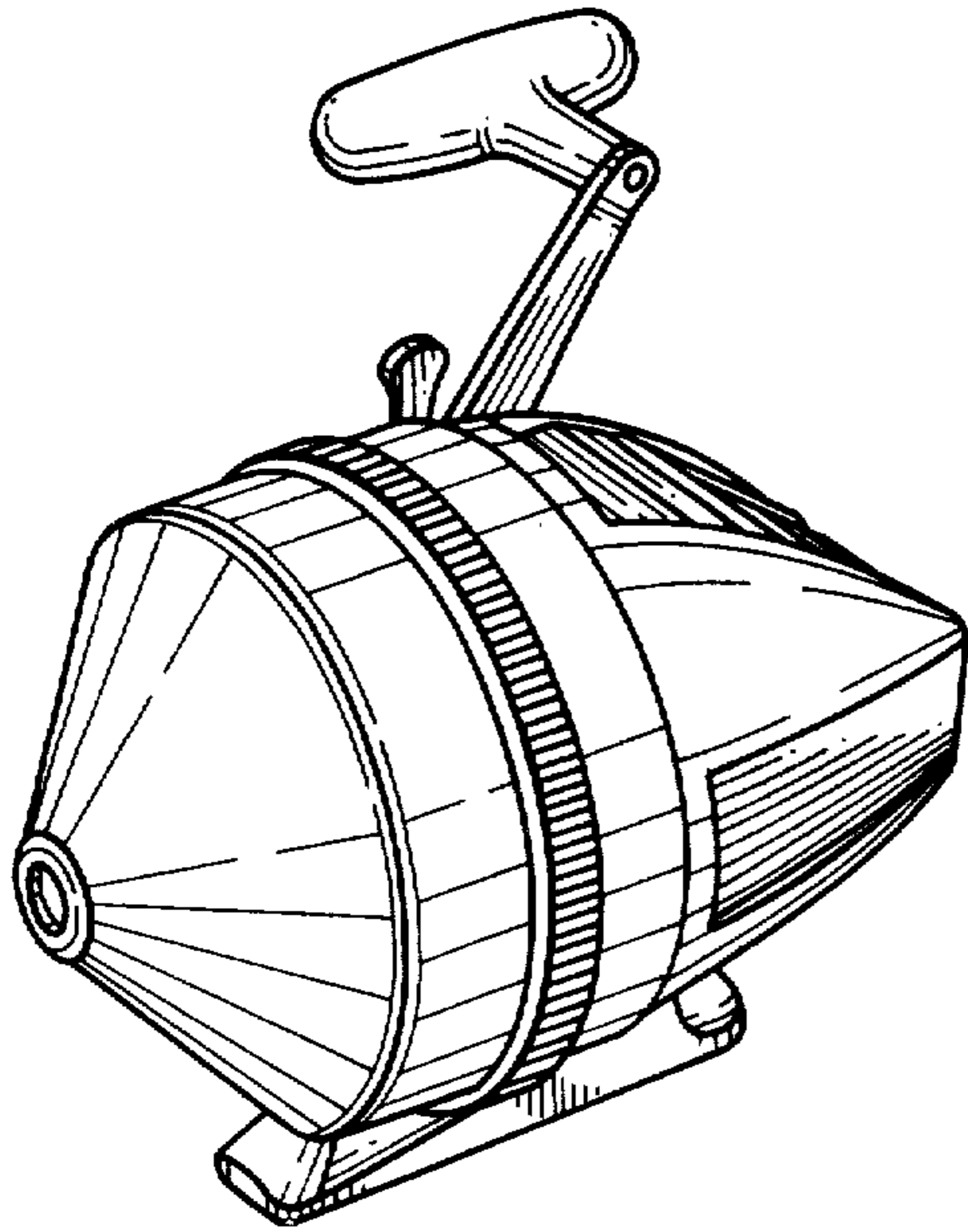


FIG. 1

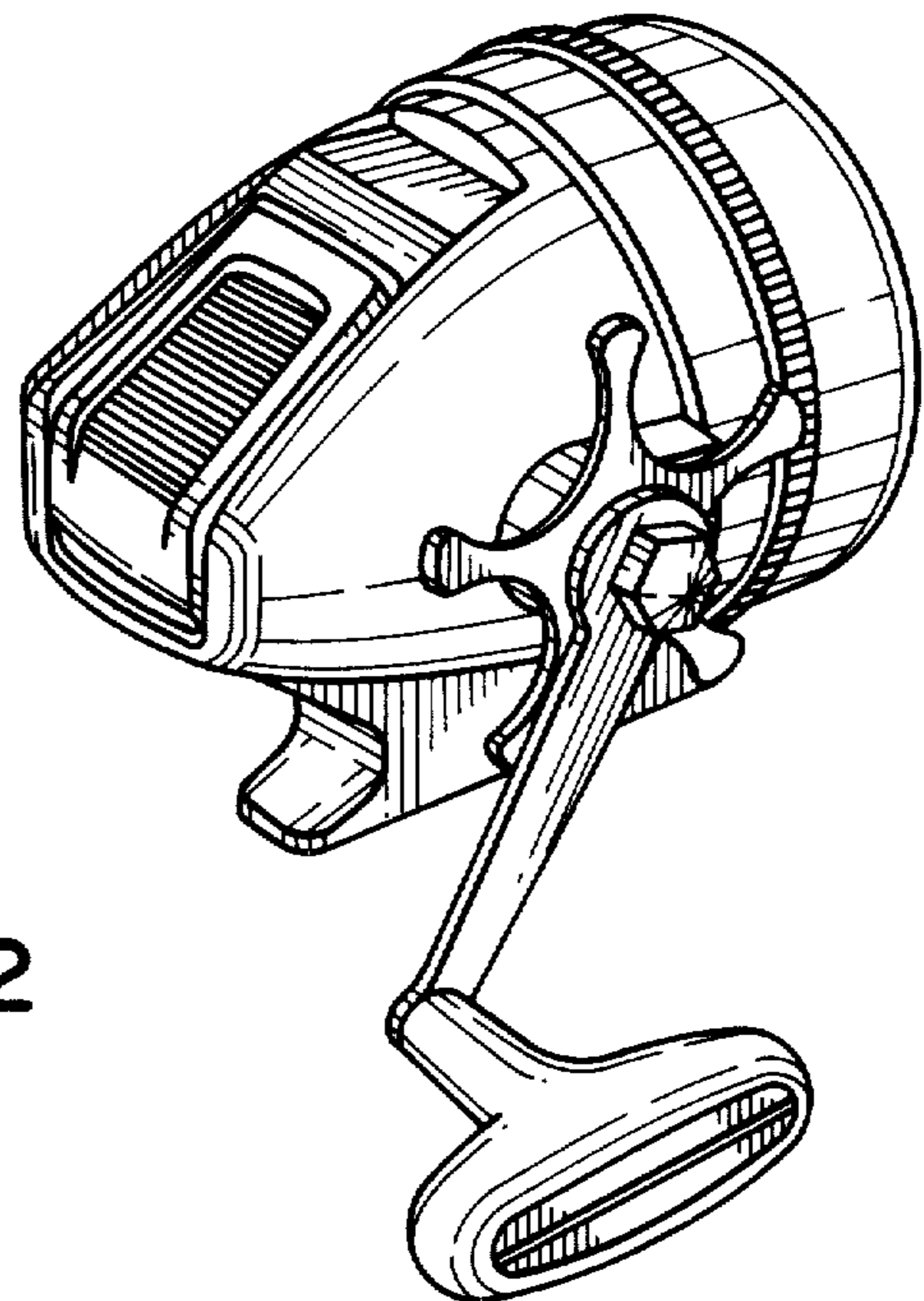


FIG. 2

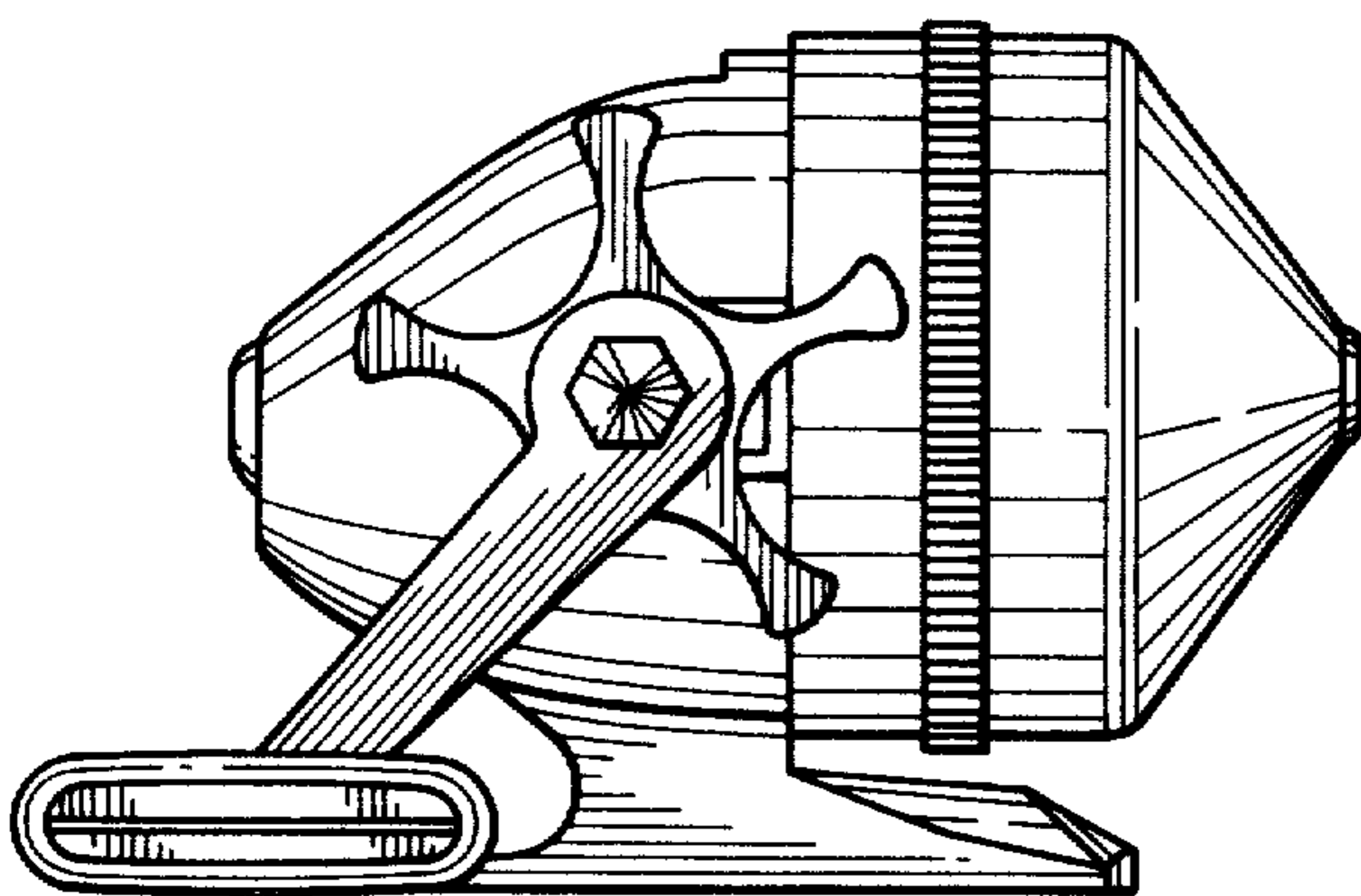


FIG. 3

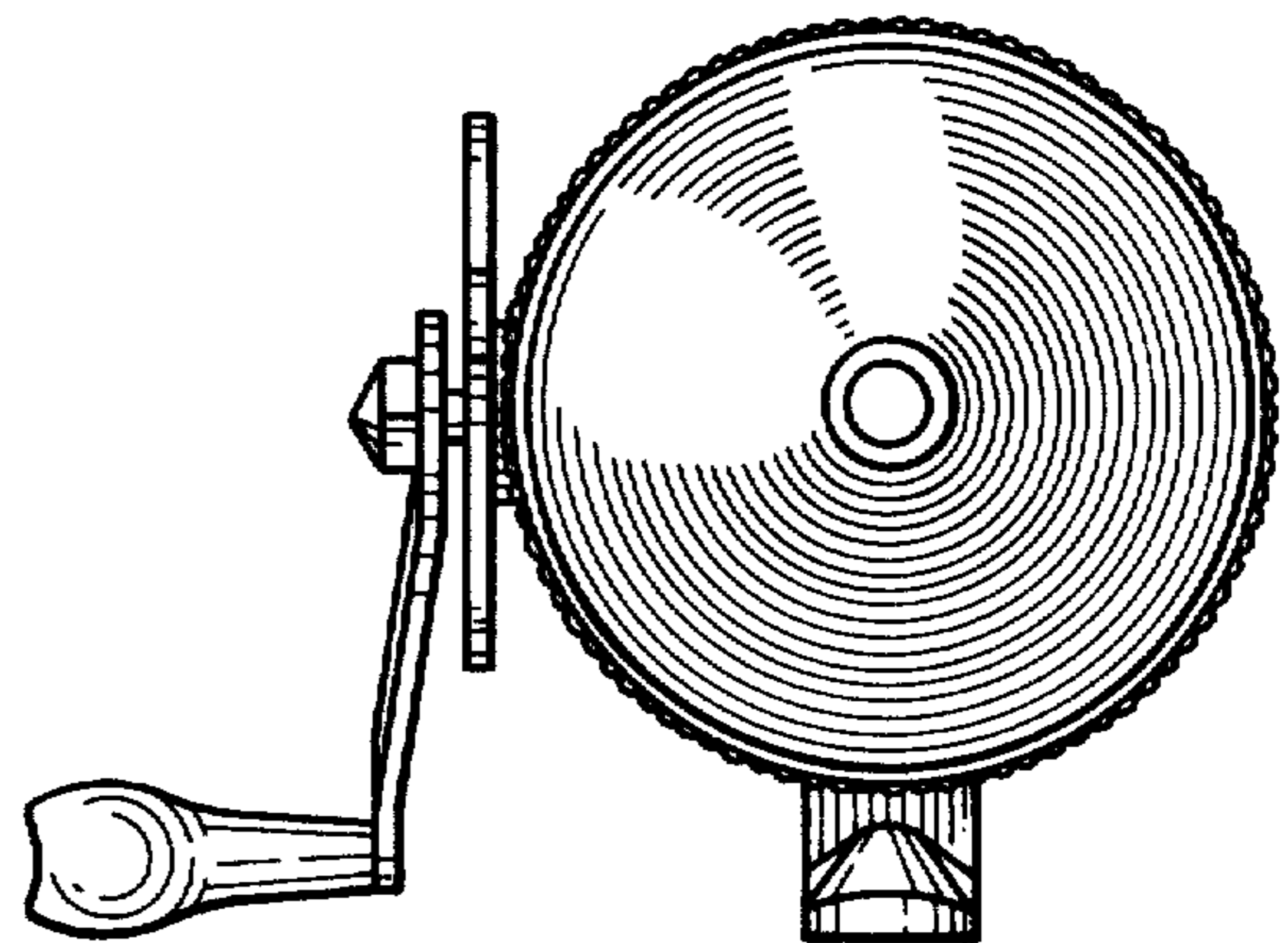


FIG. 4

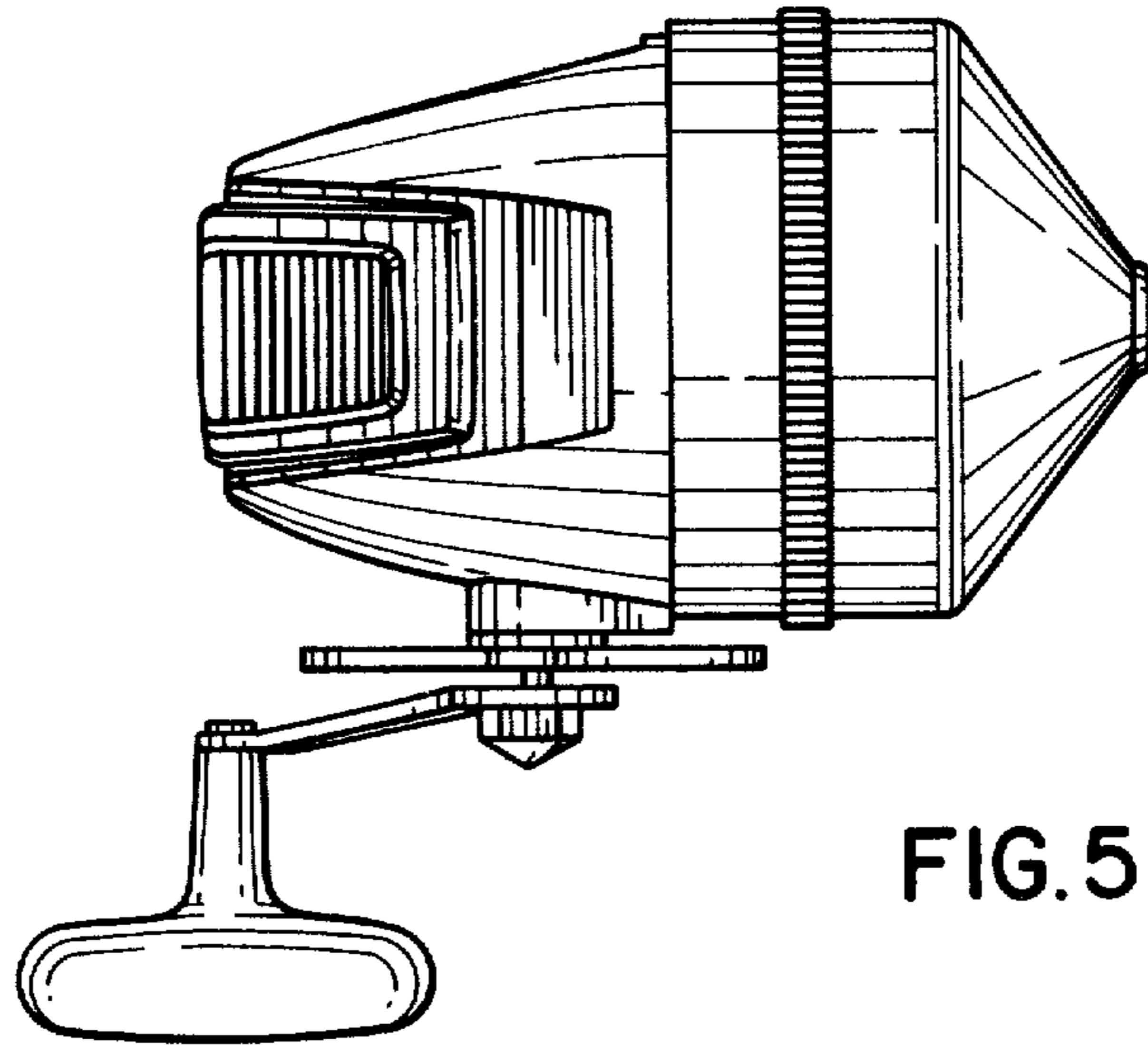


FIG. 5

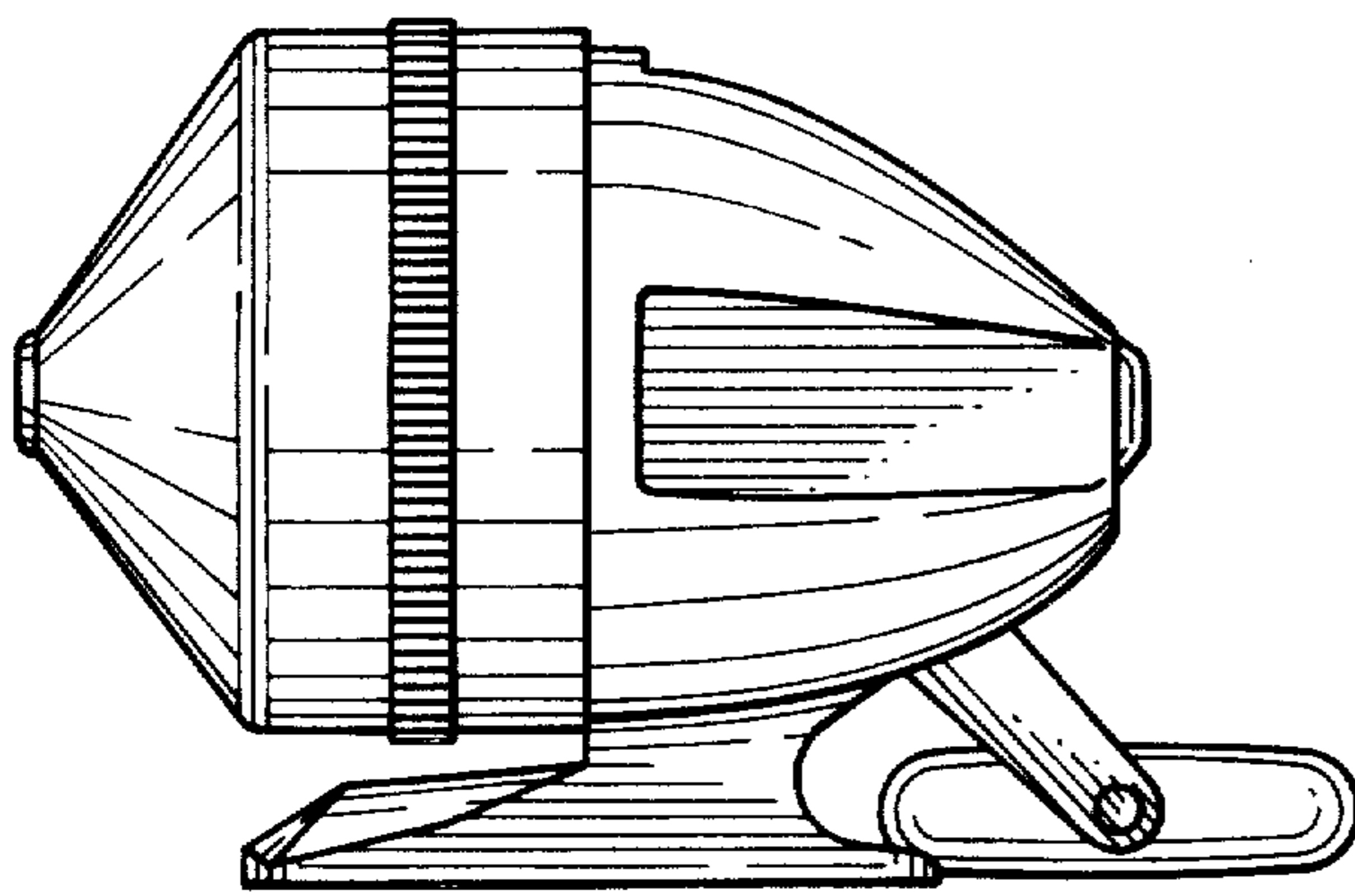


FIG. 6

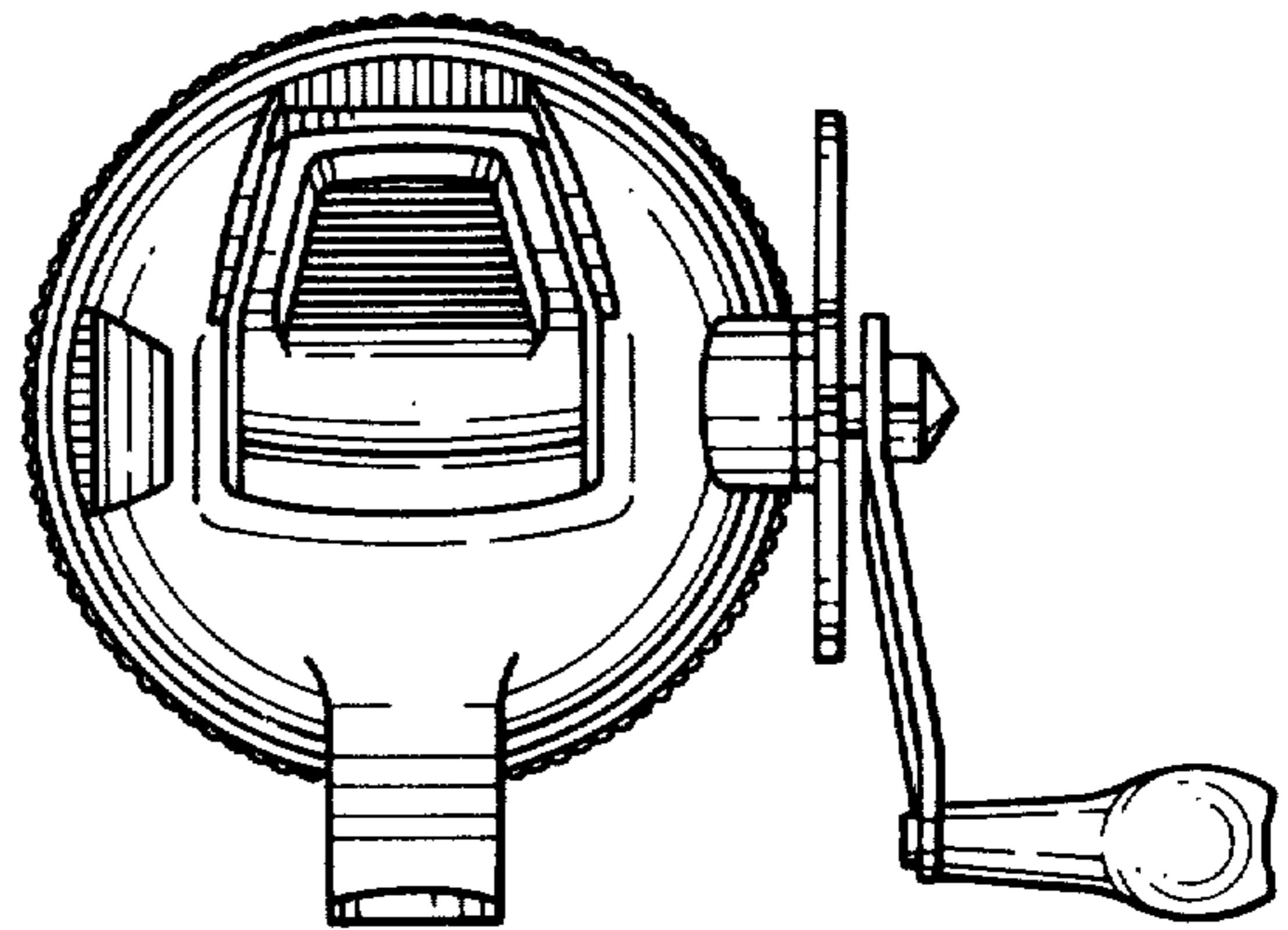


FIG. 7

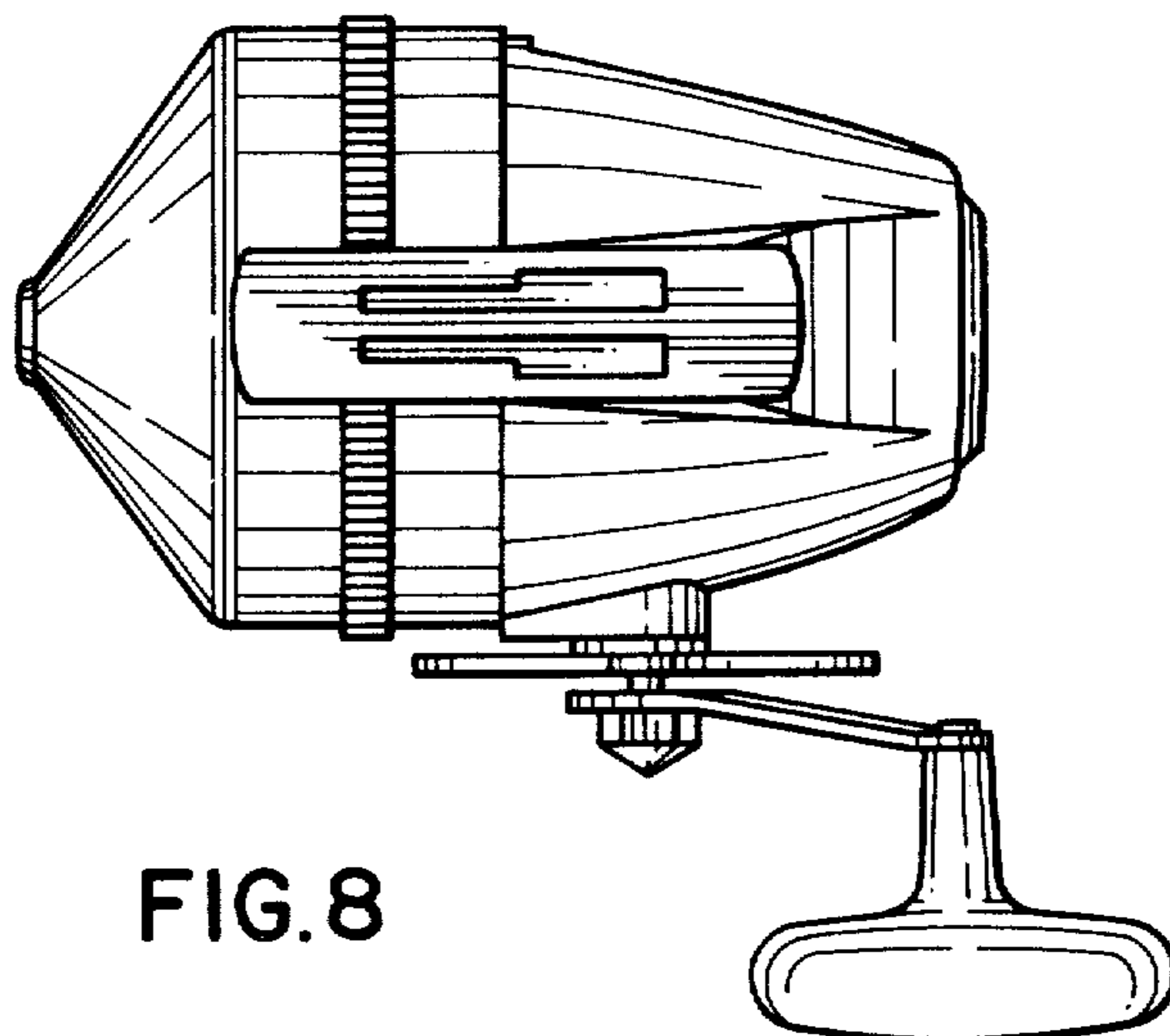


FIG. 8