

[54] **CARTRIDGE CASE DEFLECTOR**

[76] **Inventor:** Harold E. Buffum, 1061W-400S,  
Kokomo, Ind. 46902

[\*\*] **Term:** 14 Years

[21] **Appl. No.:** 253,023

[22] **Filed:** Apr. 10, 1981

[51] **Int. Cl.** ..... D22-01  
[52] **U.S. Cl.** ..... D22/7  
[58] **Field of Search** ..... D22/1, 6, 7, 13;  
42/1 T, 68, 83

[56]

**References Cited**

**U.S. PATENT DOCUMENTS**

3,978,602 9/1976 Morrow et al. .... 42/1 T

**OTHER PUBLICATIONS**

Guns & Ammo, Mar. 1976, p. 74, case deflector.

*Primary Examiner*—A. Hugo Word

*Attorney, Agent, or Firm*—Woodard, Weikart, Emhardt  
& Naughton

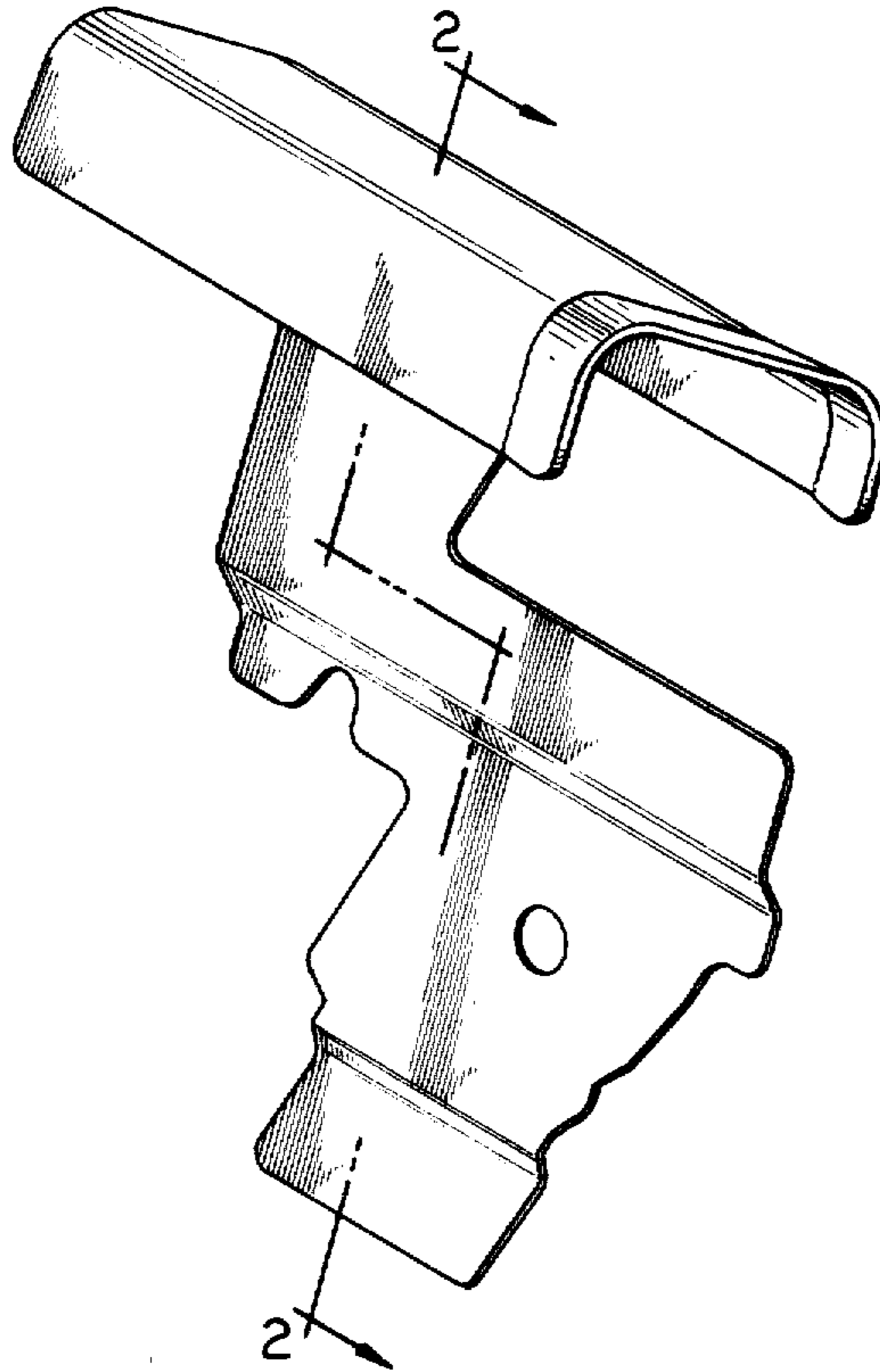
[57]

**CLAIM**

The ornamental design for a cartridge case deflector, as shown and described.

**DESCRIPTION**

FIG. 1 is a perspective view of a cartridge case deflector embodying my new design;  
FIG. 2 is a sectional view taken generally along the line 2-2 of FIG. 1.



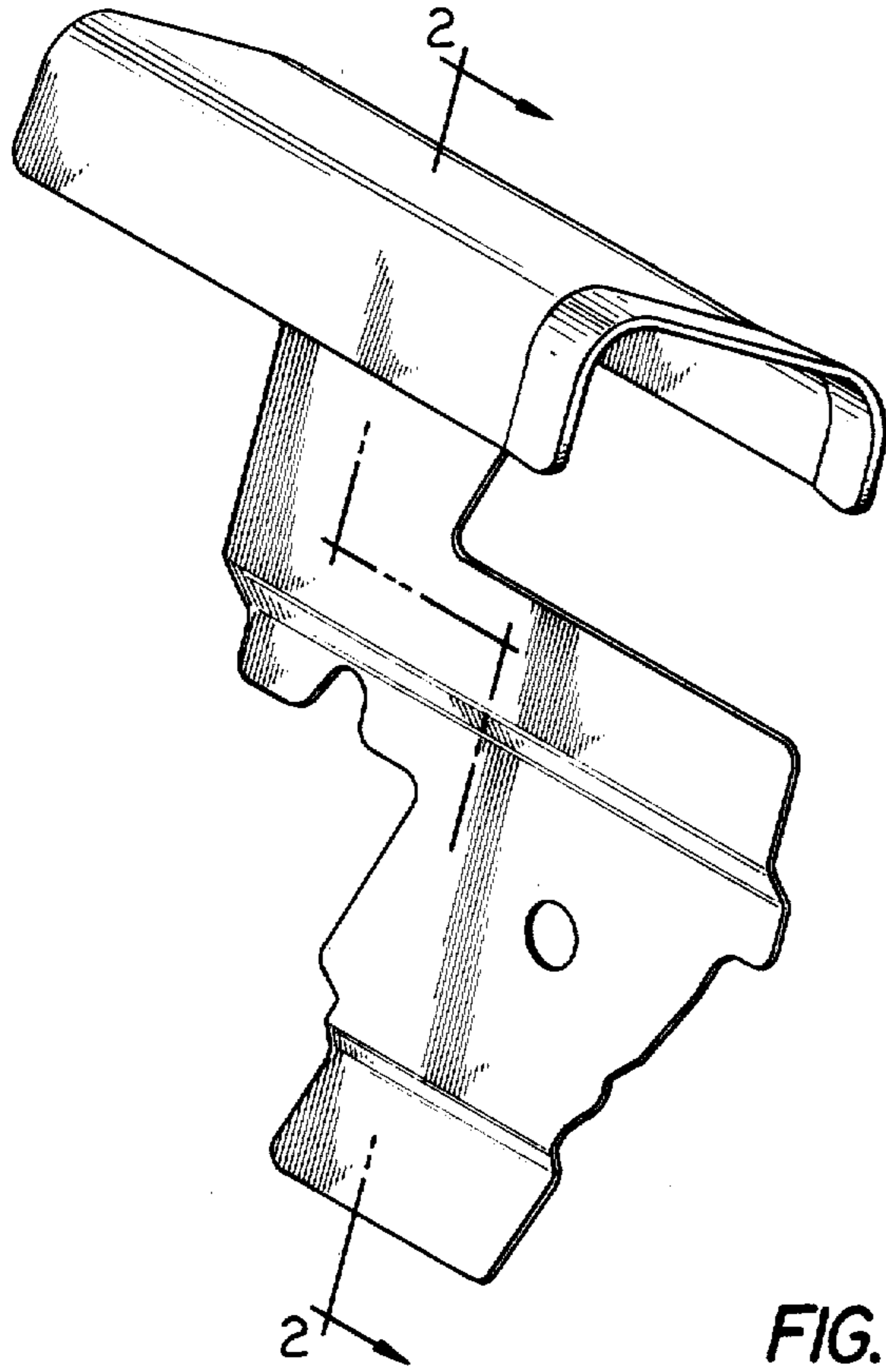


FIG. 1

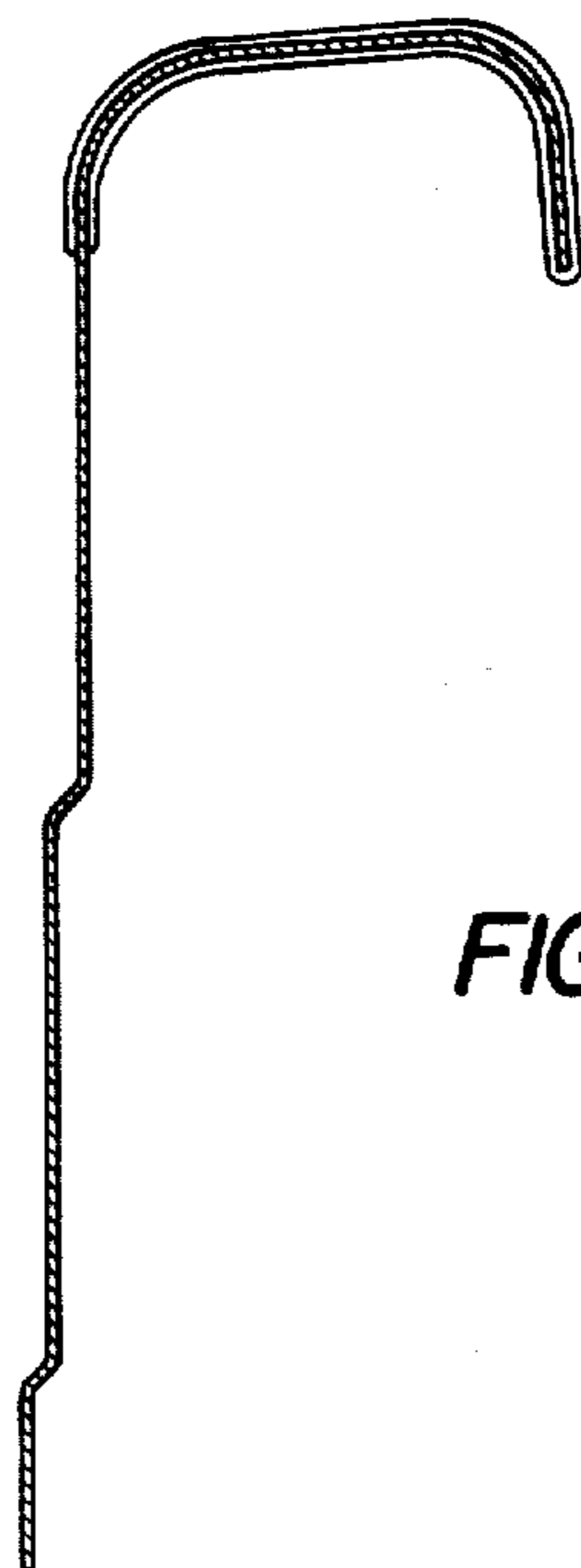


FIG. 2