

[54] THROWING TOY

[75] Inventor: **Randall D. Jeter**, 1232 Hollywood, Dallas, Tex. 75208

[73] Assignee: **Randall D. Jeter**, Dallas, Tex.

[**] Term: **14 Years**

[21] Appl. No.: **146,503**

[22] Filed: **May 5, 1980**

[51] Int. Cl. **D21-01**

[52] U.S. Cl. **D21/82**

[58] Field of Search D21/59, 82, 91, 3, 221, D21/222; D12/114, 178; 273/341, 343, 428, 425; 46/74 R

[56] **References Cited**

U.S. PATENT DOCUMENTS

D. 247,923 5/1978 Bartz D21/82

2,683,603	7/1954	Gackenbach	273/428
2,925,276	2/1960	Leclerc	273/428
3,863,455	2/1975	Fuller	D21/59
4,151,674	5/1979	Klahn	273/425

OTHER PUBLICATIONS

Sporting Goods Dealer, 8-1980, item "B-10", Squirrel call.

Primary Examiner—Charles A. Rademaker

[57] **CLAIM**

The ornamental design for a throwing toy, as shown and described.

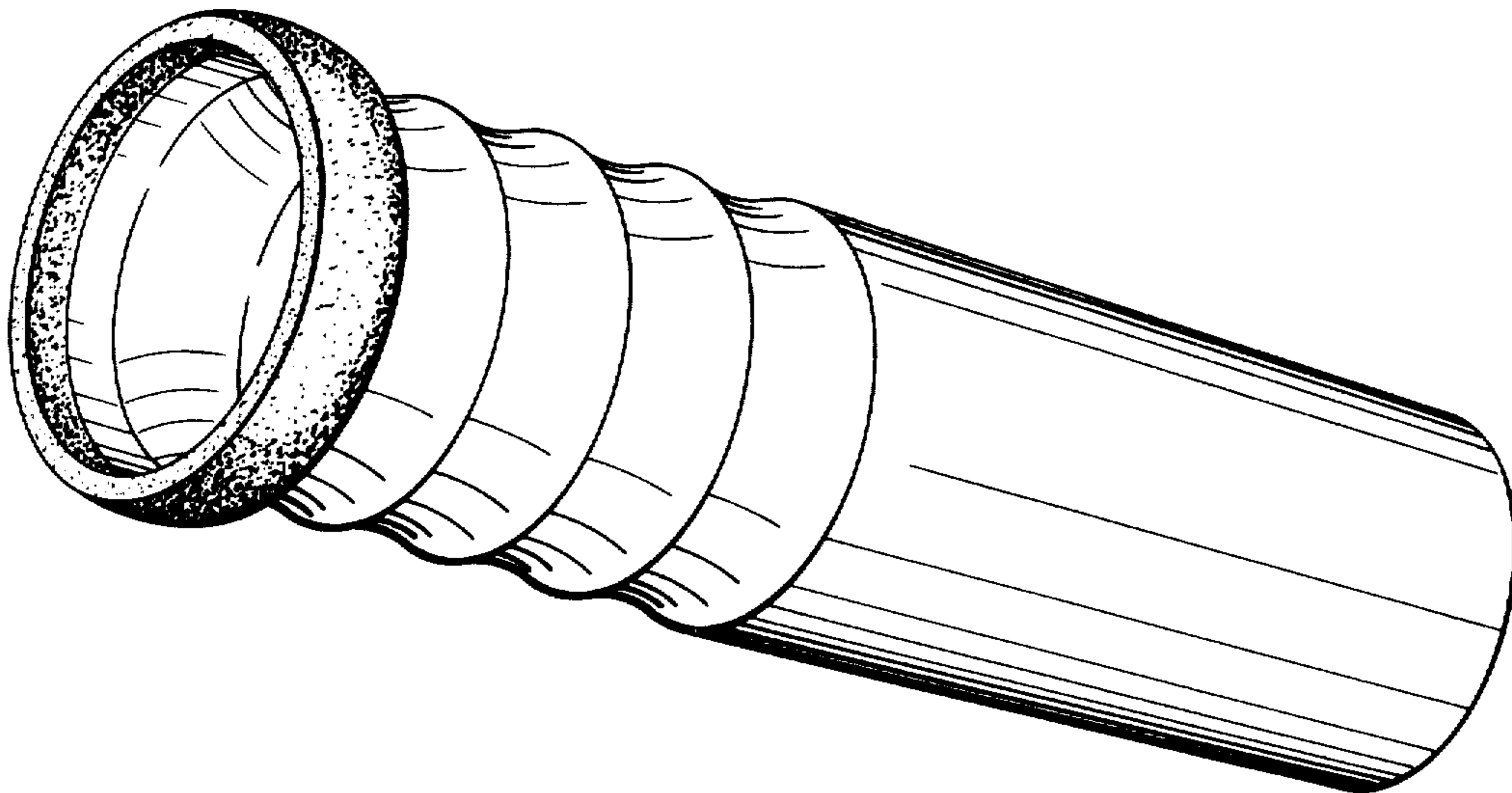
DESCRIPTION

FIG. 1 is a perspective view of a throwing toy showing my new design;

FIG. 2 is a left side elevational view thereof, the side opposite being identical;

FIG. 3 is a top plan view thereof; and,

FIG. 4 is a bottom plan view thereof.



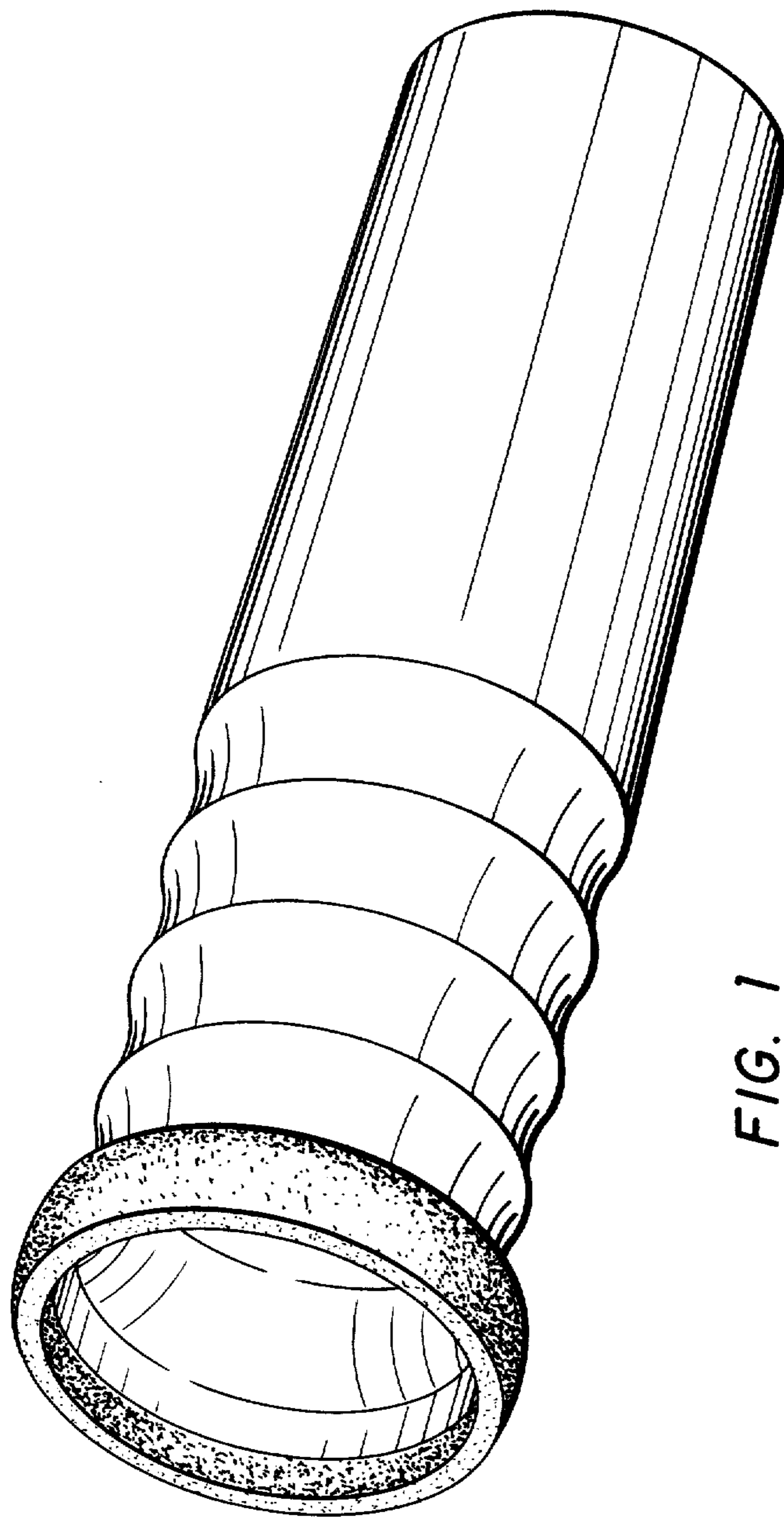


FIG. 1

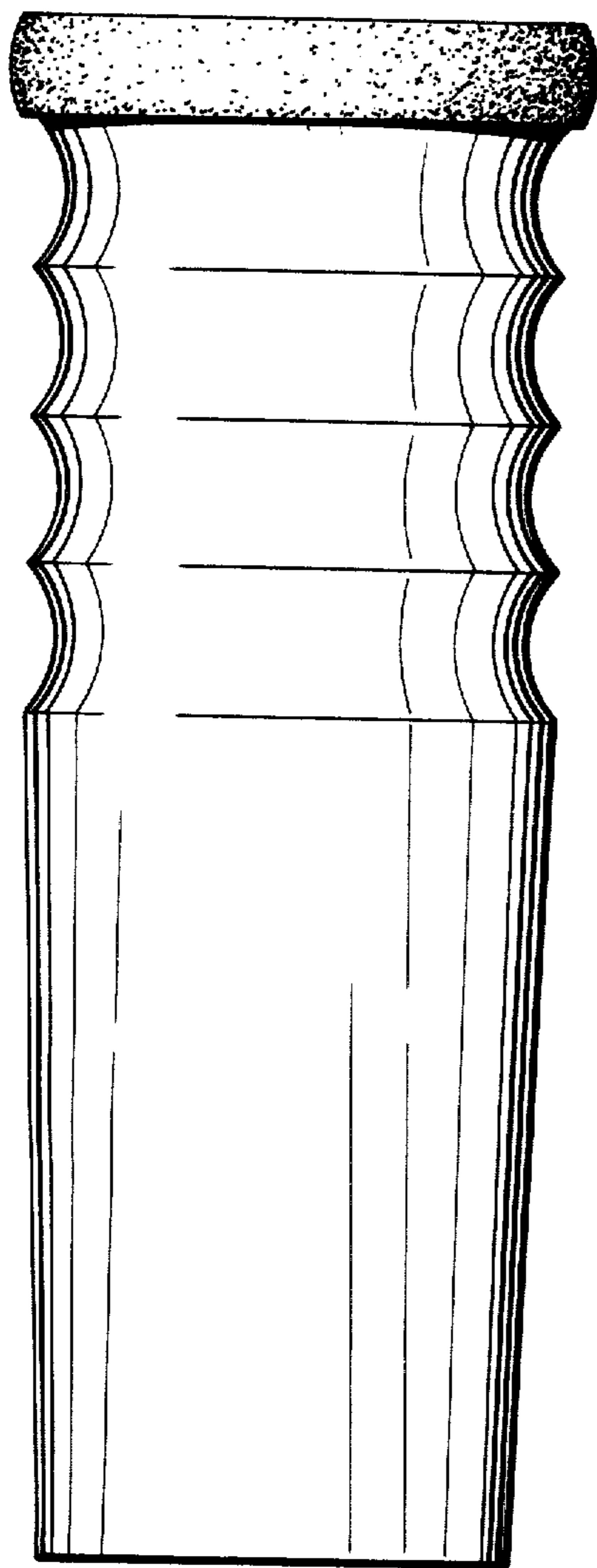


FIG. 2

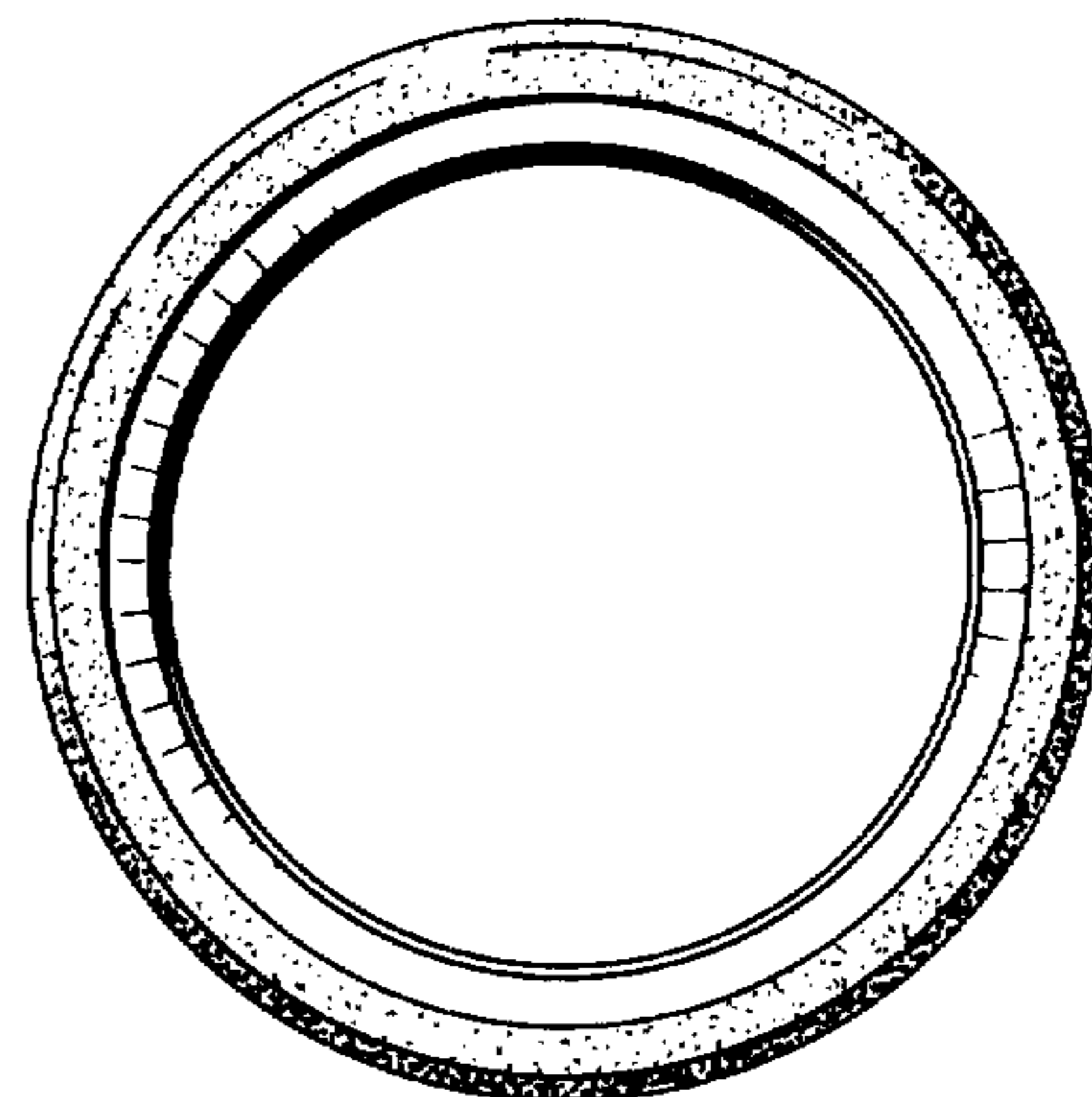


FIG. 3

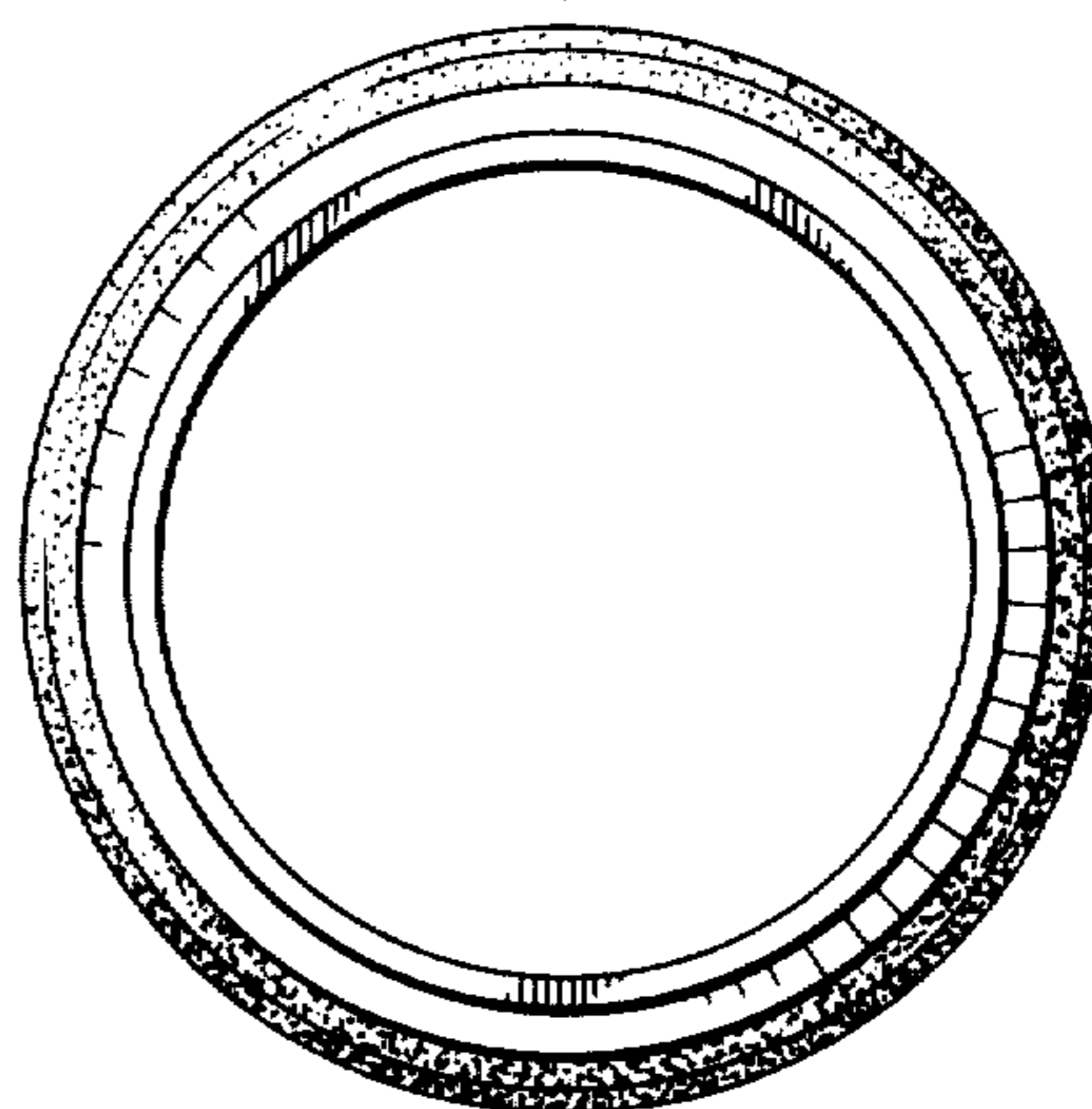


FIG. 4