

[54] DEMONSTRATOR FOR INDICATING THE EFFECT OF ADDITIVE IN ENGINE OIL AND THE LIKE

[75] Inventor: Clinton H. Morey, Mesa, Ariz.

[73] Assignee: Dolores E. Stead, Federal Way, Wash.

[**] Term: 14 Years

[21] Appl. No.: 273,060

[22] Filed: Jun. 12, 1981

[51] Int. Cl. D19-07

[52] U.S. Cl. D19/62

[58] Field of Search D19/62; 434/388, 370, 434/401

[56]

References Cited

U.S. PATENT DOCUMENTS

D. 254,793	4/1980	Morey	D19/62
1,410,456	3/1922	Cannon	434/388
2,175,638	10/1939	Rau	434/388

Primary Examiner—Melvin B. Feifer
Attorney, Agent, or Firm—John O. Graybeal

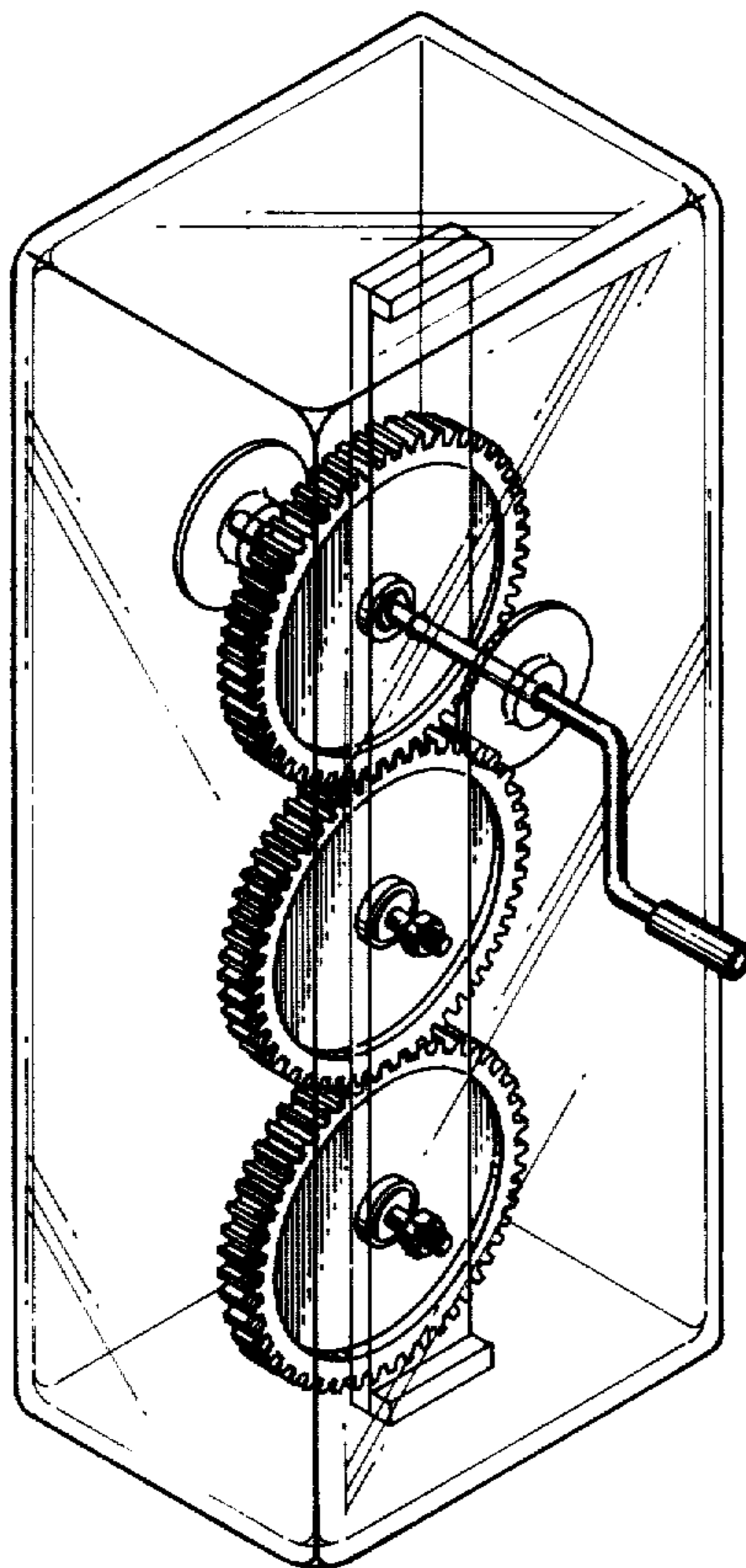
[57]

CLAIM

The ornamental design for a demonstrator for indicating the effect of additive in engine oil and the like, substantially as shown.

DESCRIPTION

FIG. 1 is an isometric view from an upper aspect of a demonstrator for indicating the effect of additive in engine oil and the like, showing my new design; FIG. 2 is a front elevational view thereof; FIG. 3 is a side elevational view thereof; FIG. 4 is a top plan view thereof; and FIG. 5 is a bottom plan view thereof.



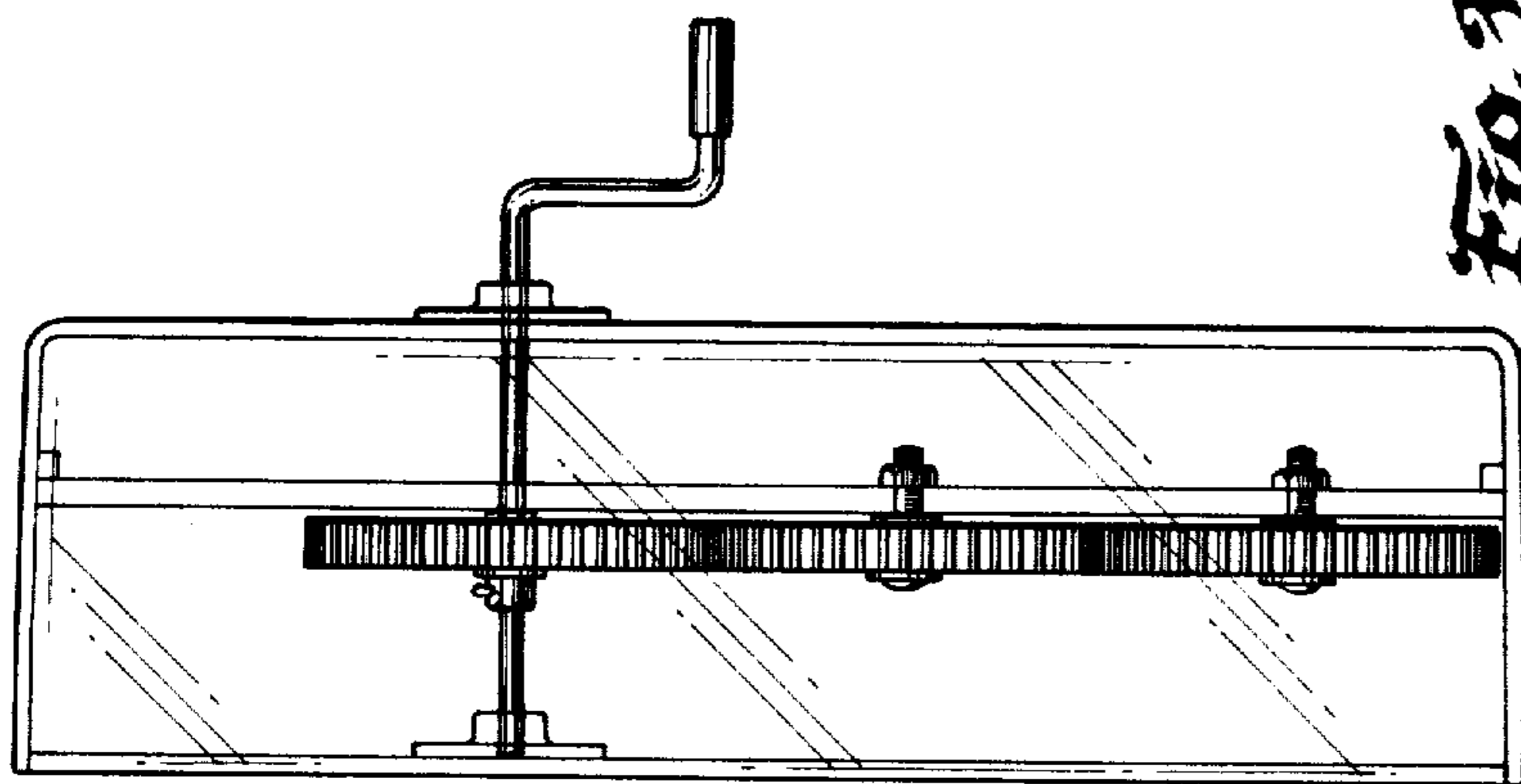


Fig. 3.

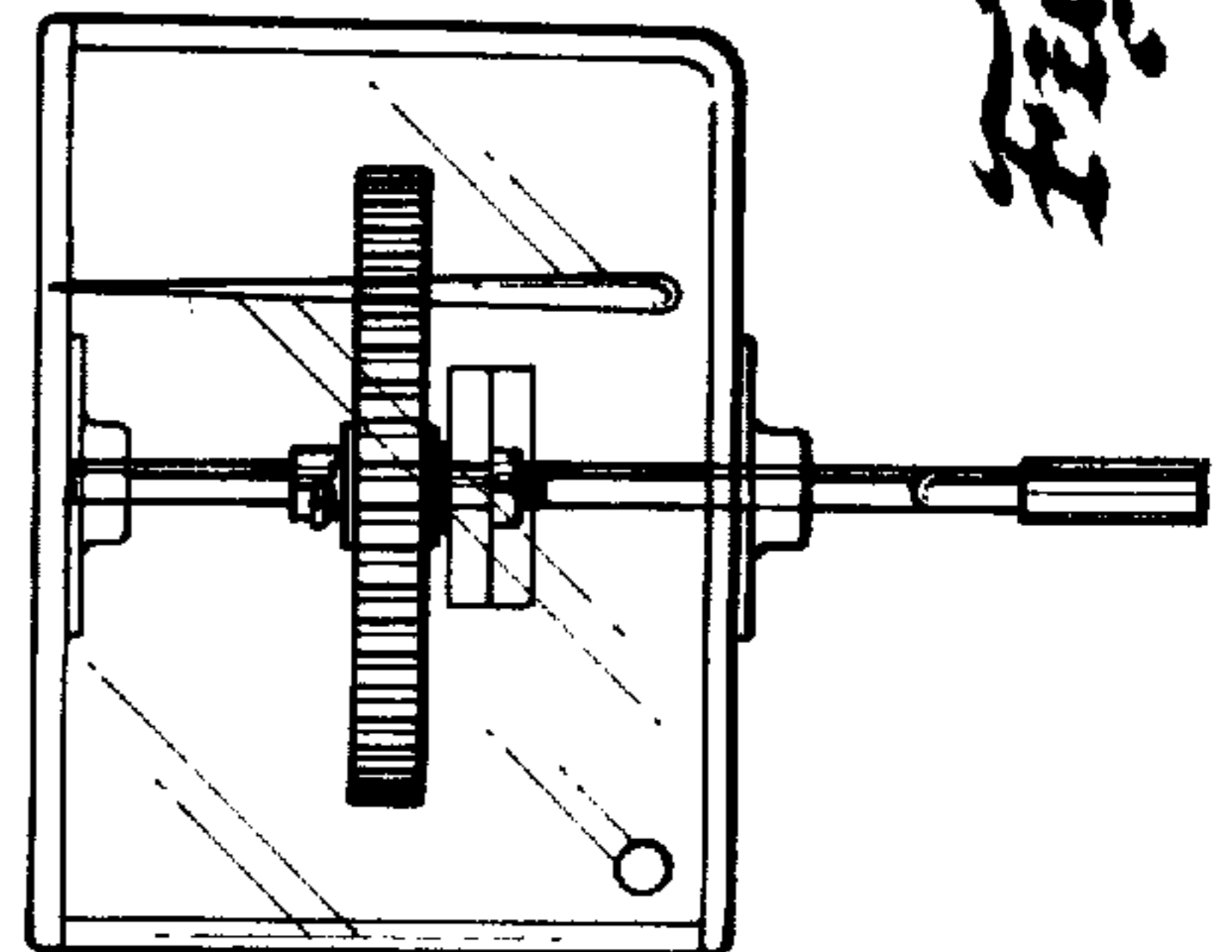


Fig. 5.

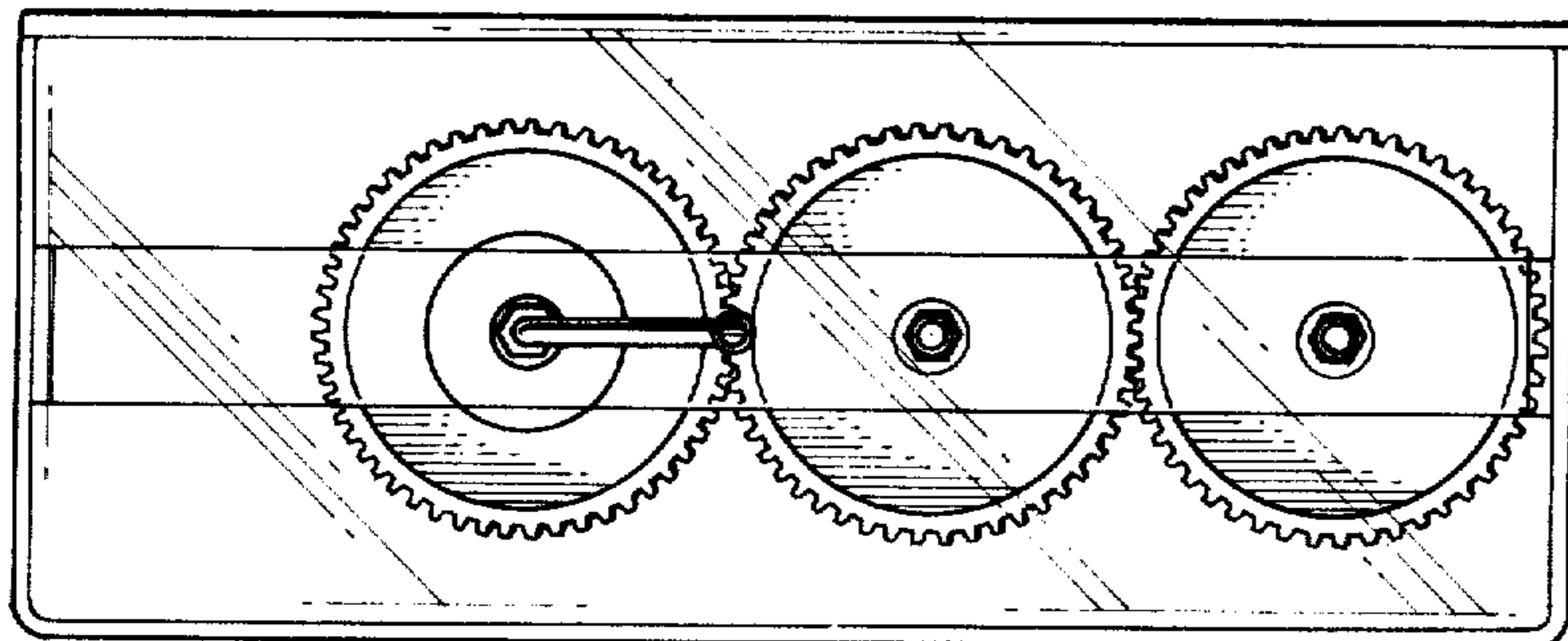


Fig. 2.

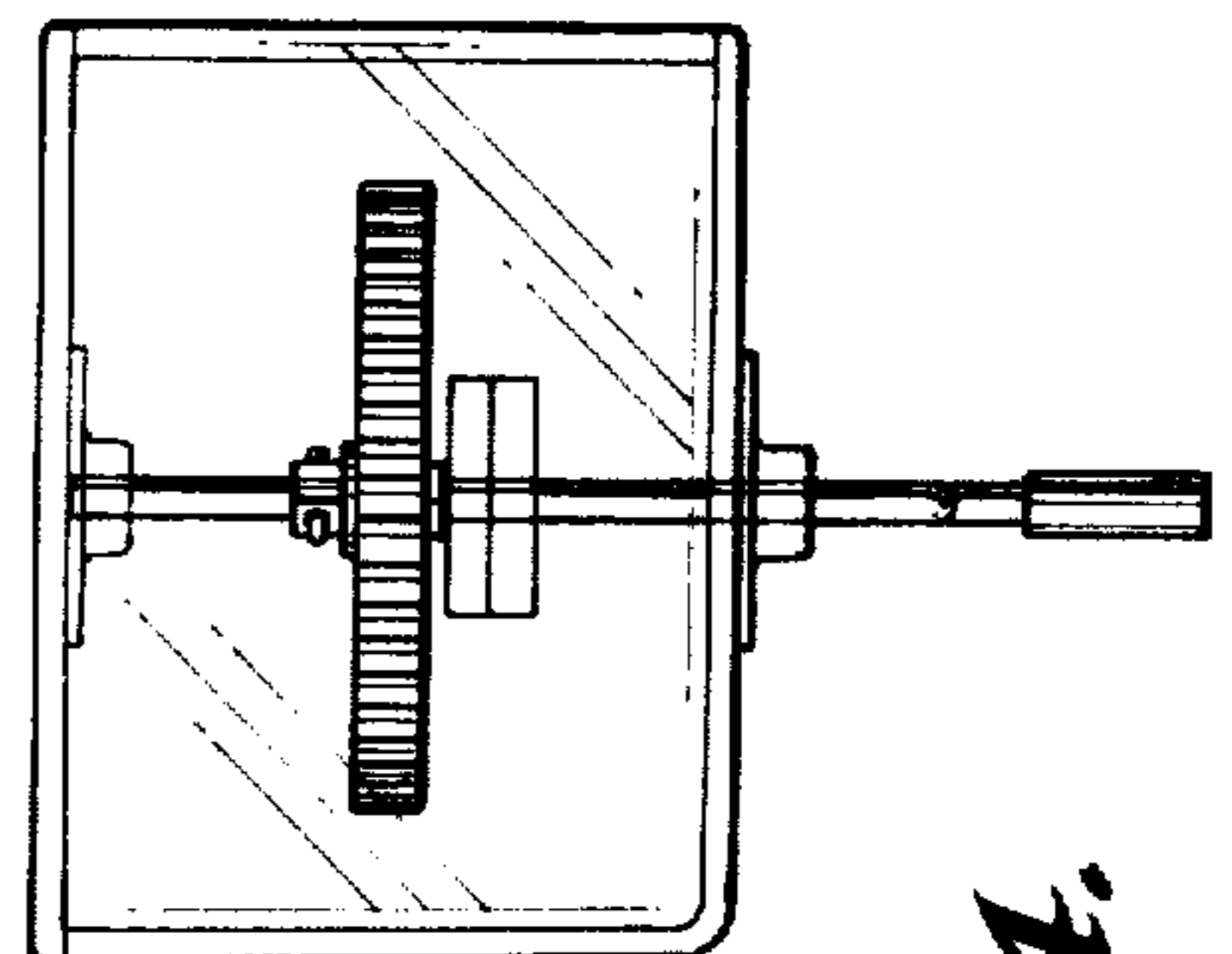


Fig. 4.

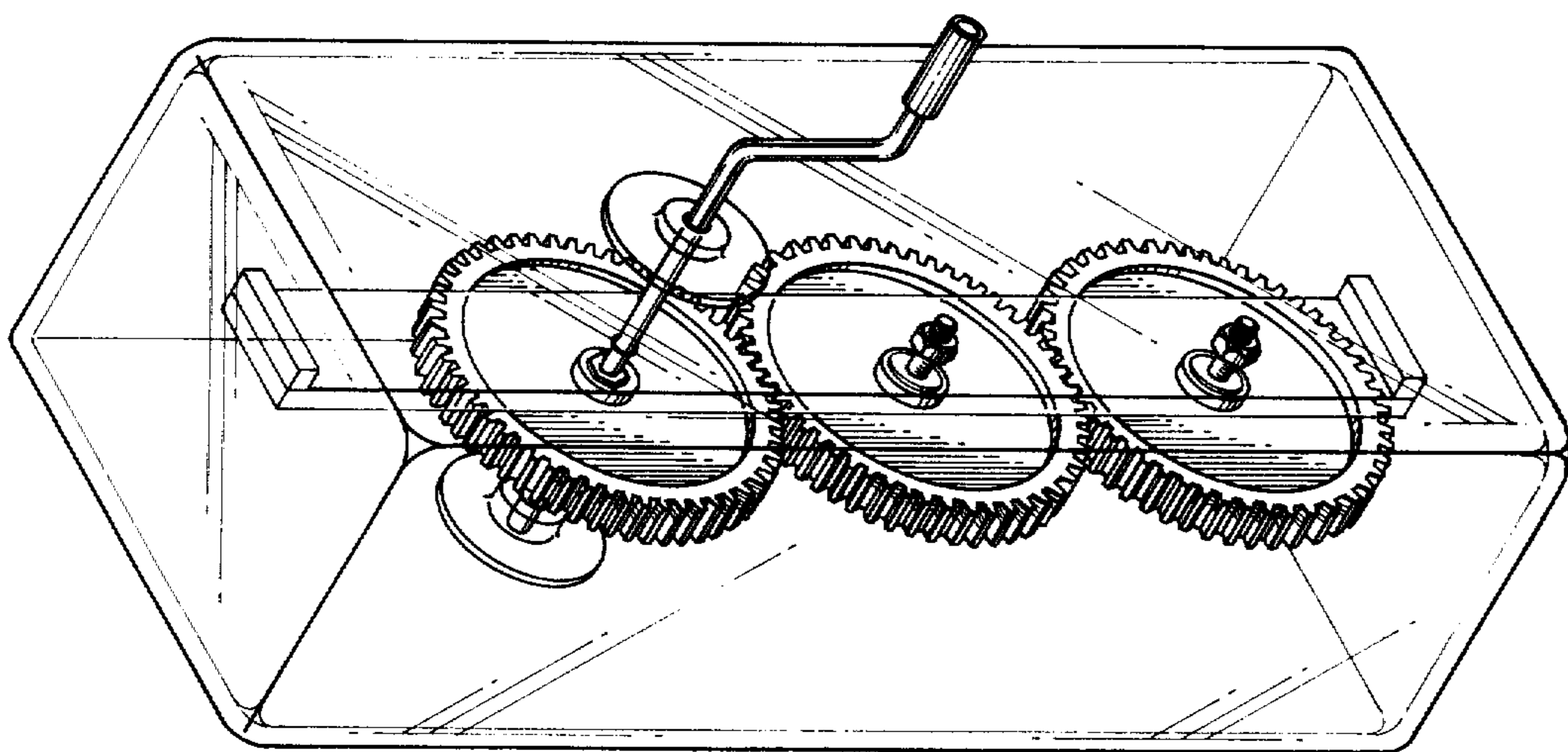


Fig. 1.