

[54] TYPEWRITER

D. 266,674 10/1982 Jolliffe ..... D18/1

[75] Inventors: Bruce A. Claxton, Coral Springs, Fla.; John E. Jolliffe, Manlius, N.Y.

[73] Assignee: SCM Corporation, New York, N.Y.

[\*\*] Term: 14 Years

[21] Appl. No.: 283,577

[22] Filed: Jul. 15, 1981

[51] Int. Cl. .... D18-01

[52] U.S. Cl. .... D18/1

[58] Field of Search ..... D18/1, 2, 12, 22; D14/100, 115; 400/689-693

[56] References Cited

U.S. PATENT DOCUMENTS

- D. 206,295 11/1966 Baughman ..... D18/1
- D. 252,153 6/1979 Boot ..... D18/1

OTHER PUBLICATIONS

*The Office*, 9/80, p. 165-Olivetti ET 121 at center.

Primary Examiner—Louis S. Zarfes  
Attorney, Agent, or Firm—William E. Mear, III; Ernest F. Weinberger

[57] CLAIM

The ornamental design for a typewriter, as shown.

DESCRIPTION

FIG. 1 is a front perspective view of a typewriter showing our new design;

FIG. 2 is a top plan view thereof;

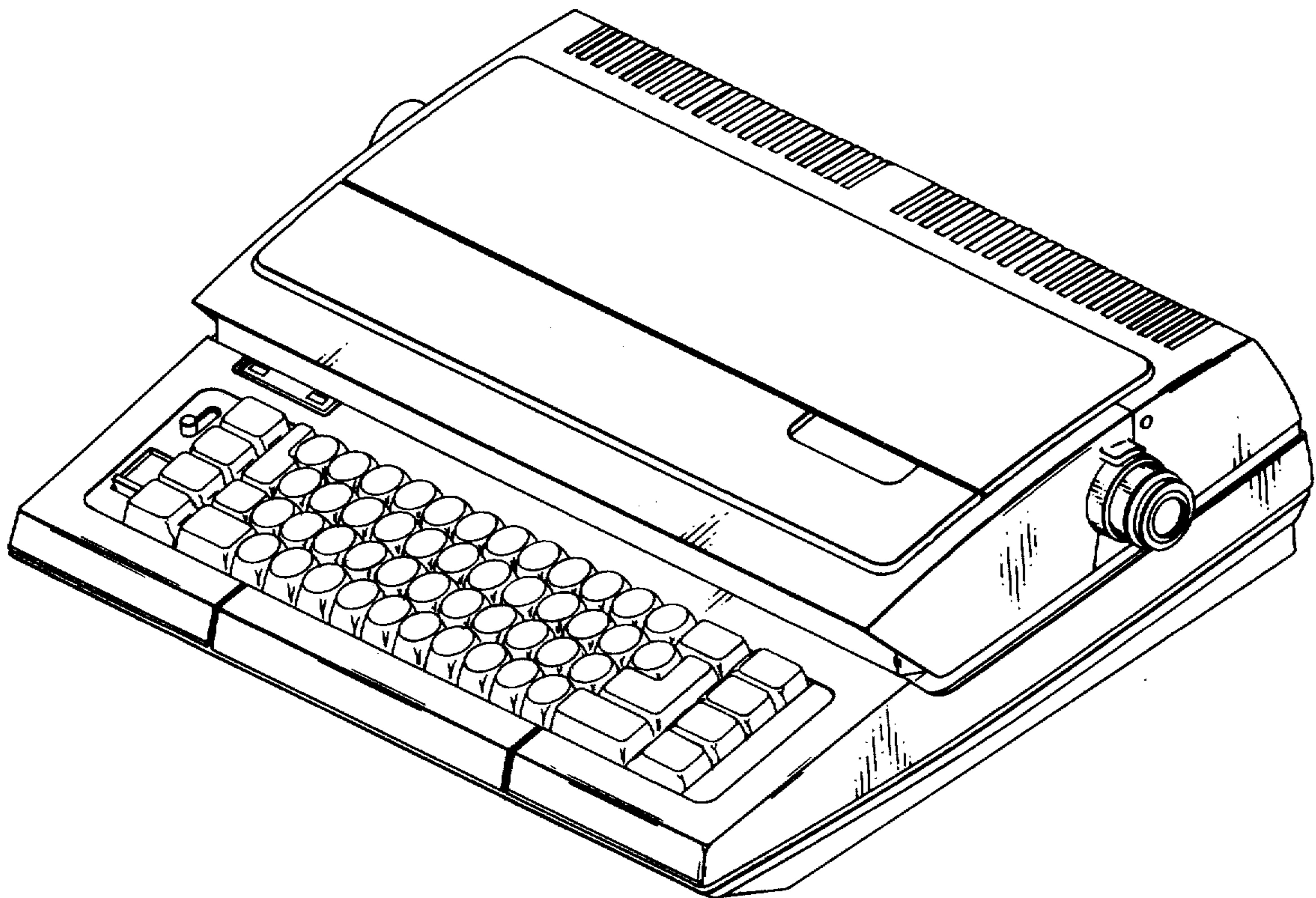
FIG. 3 is a bottom plan view thereof;

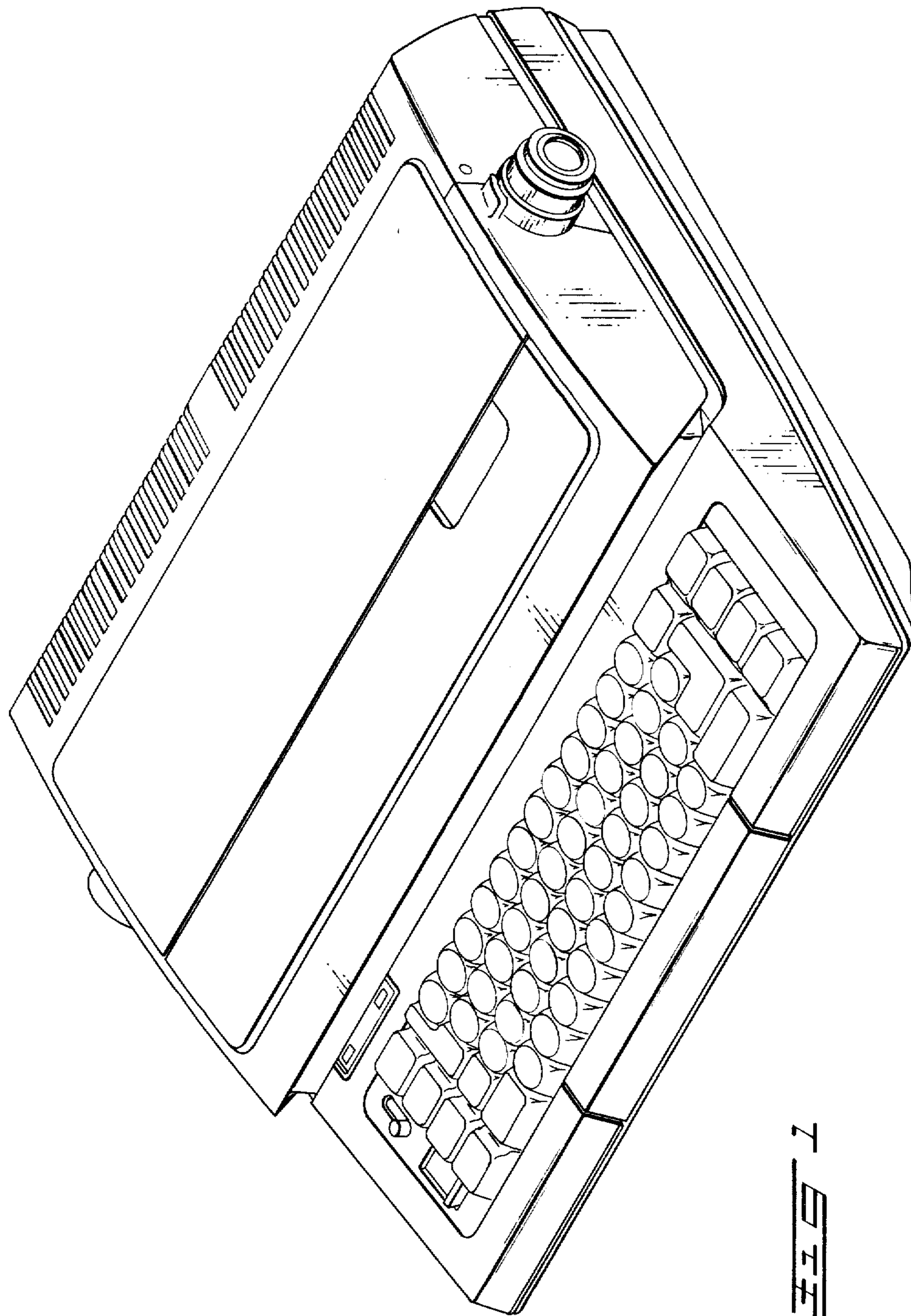
FIG. 4 is a front elevational view thereof;

FIG. 5 is a rear elevational view thereof;

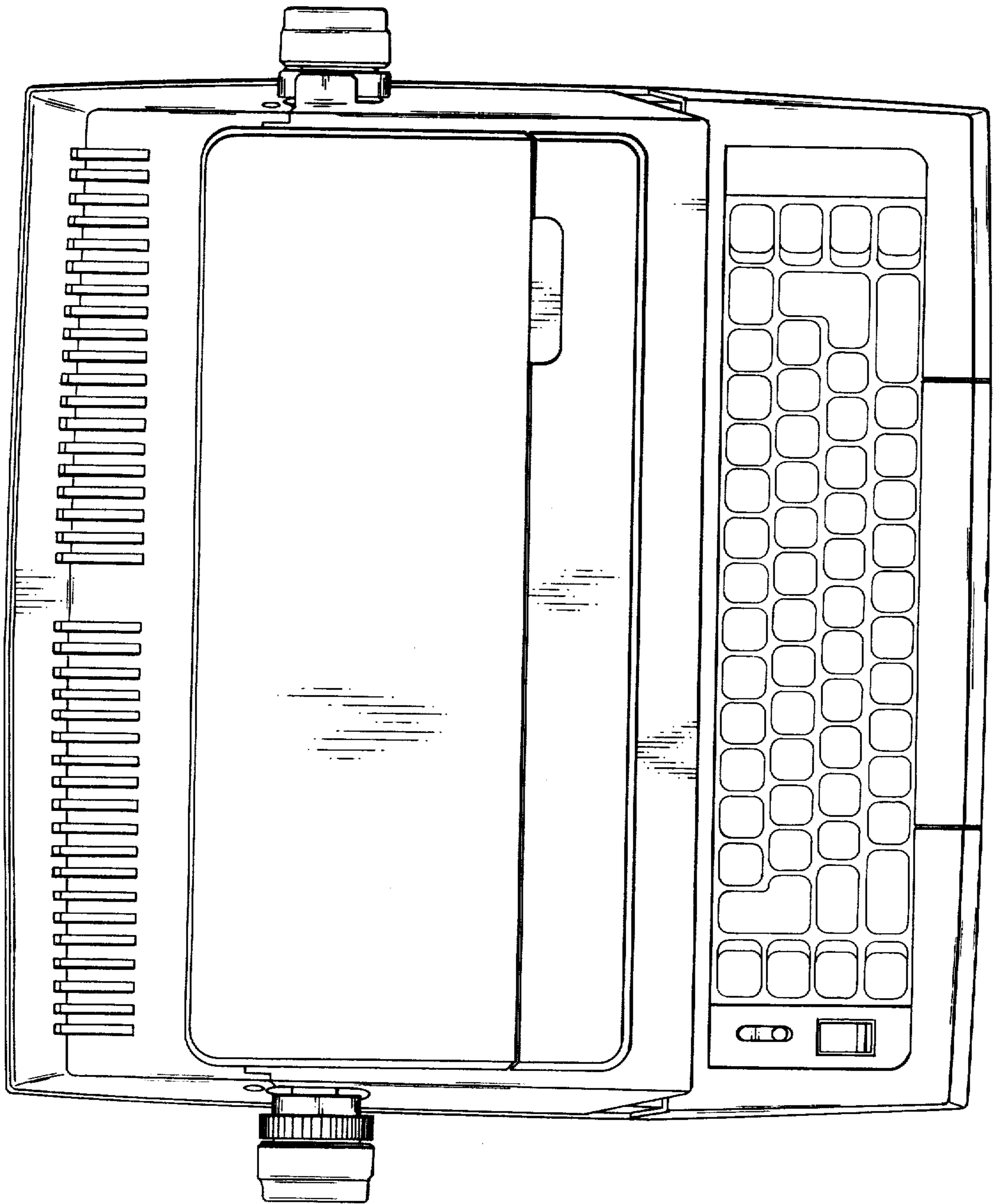
FIG. 6 is a left side elevational view thereof; and

FIG. 7 is a right side elevational view thereof.





1-1



205

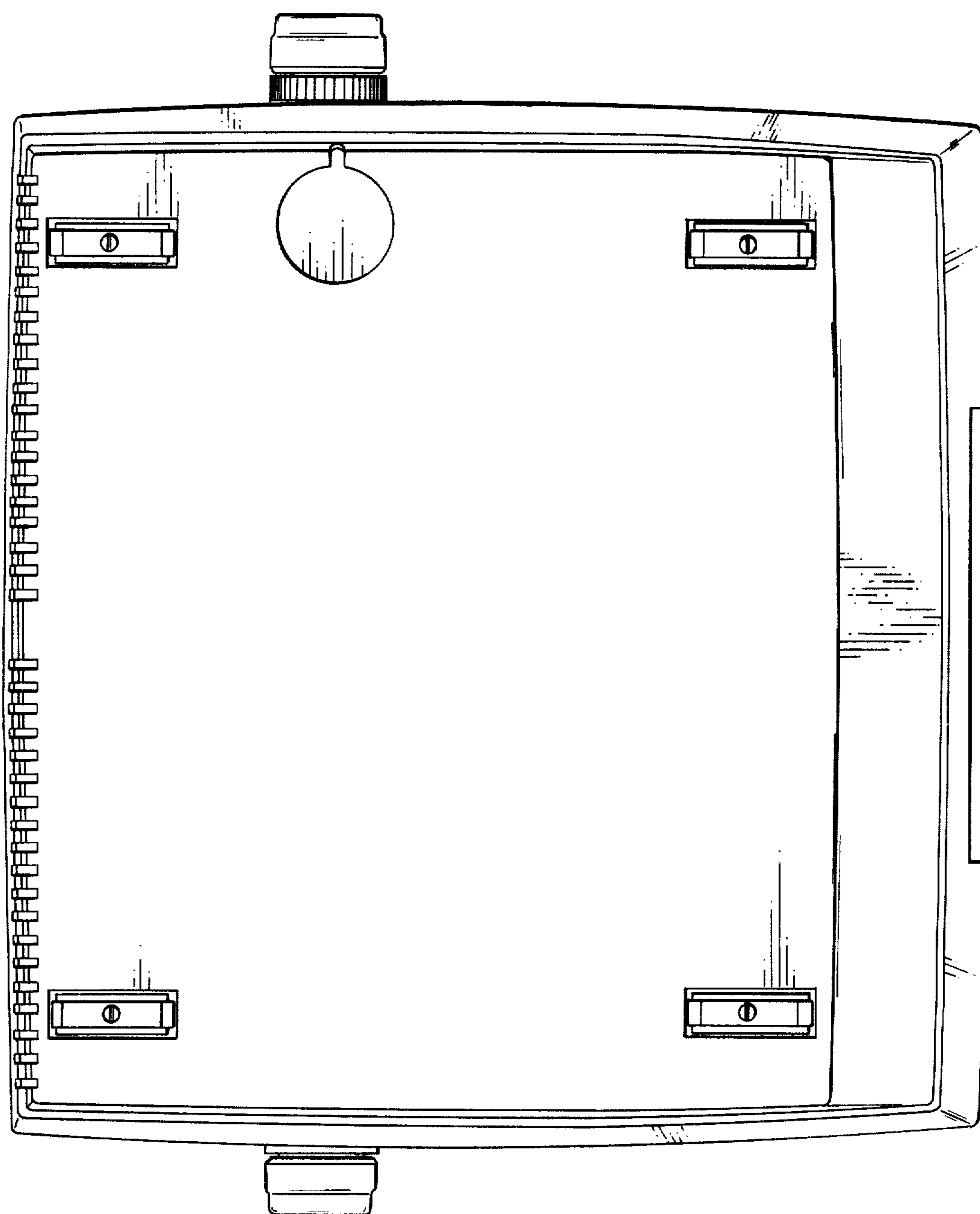
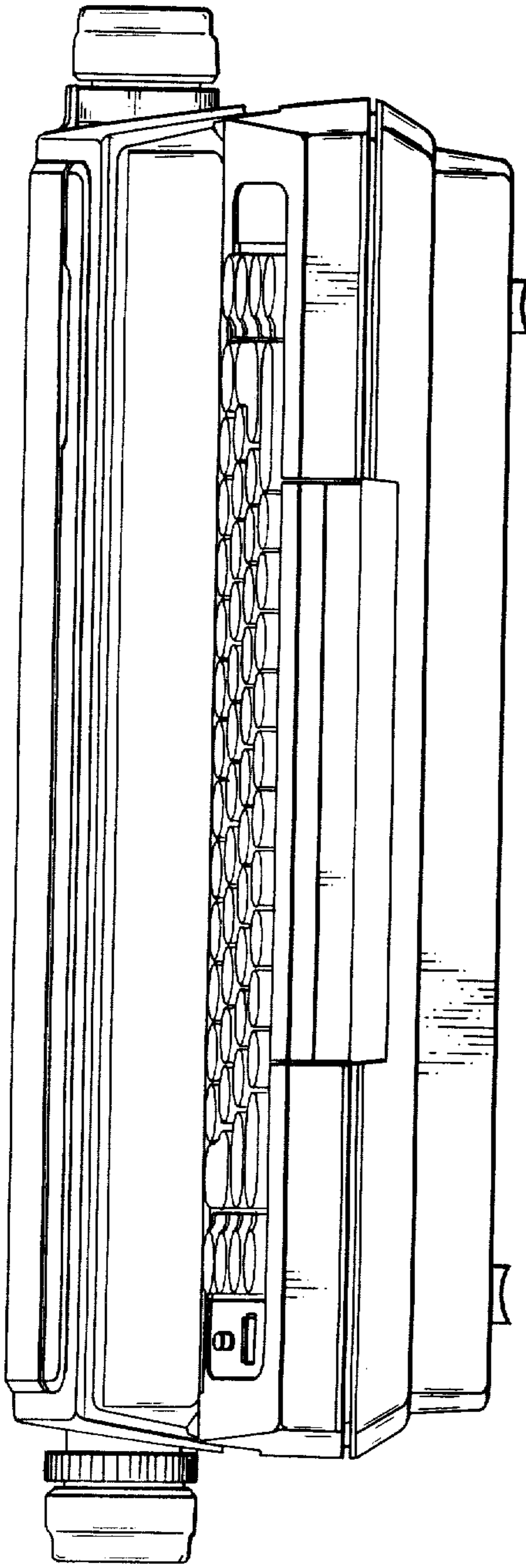
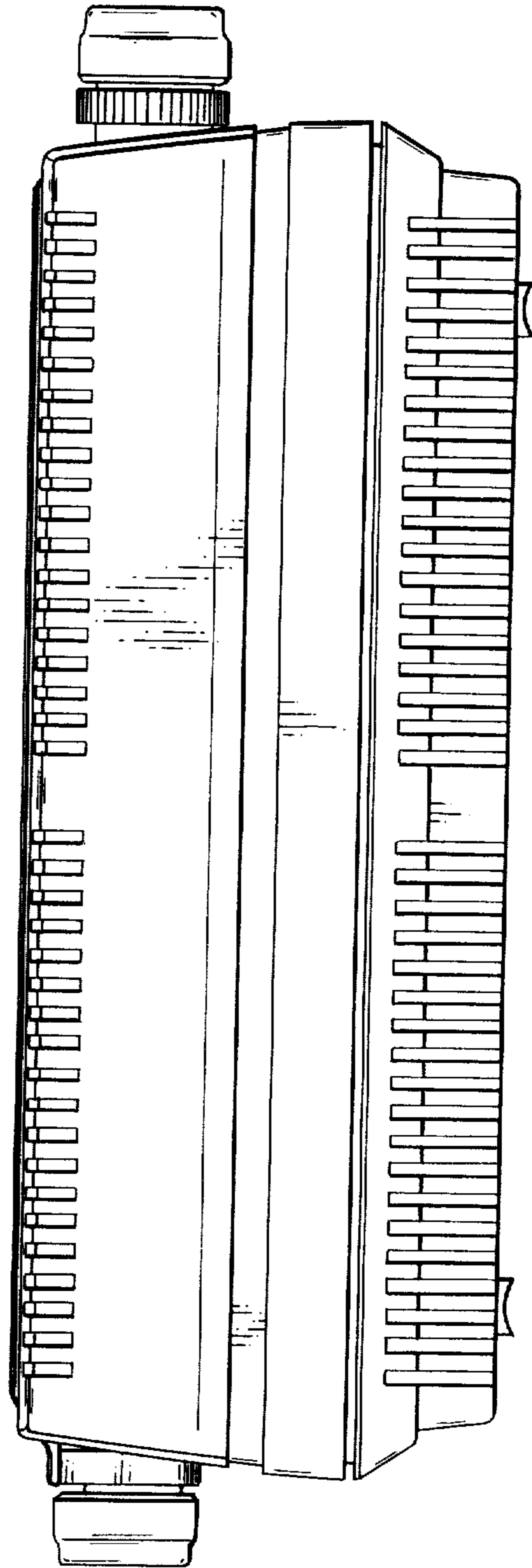


Fig. 3





4  
—  
—



5  
—  
—

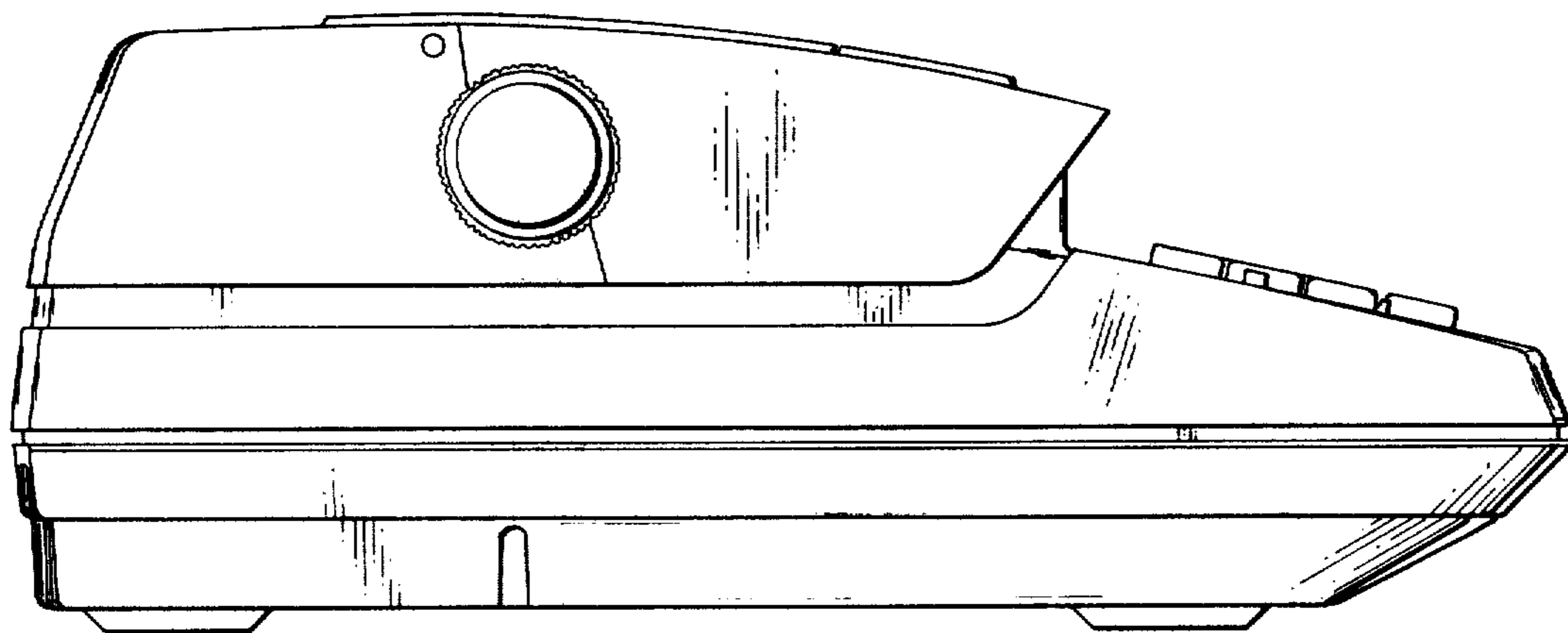


FIG 6

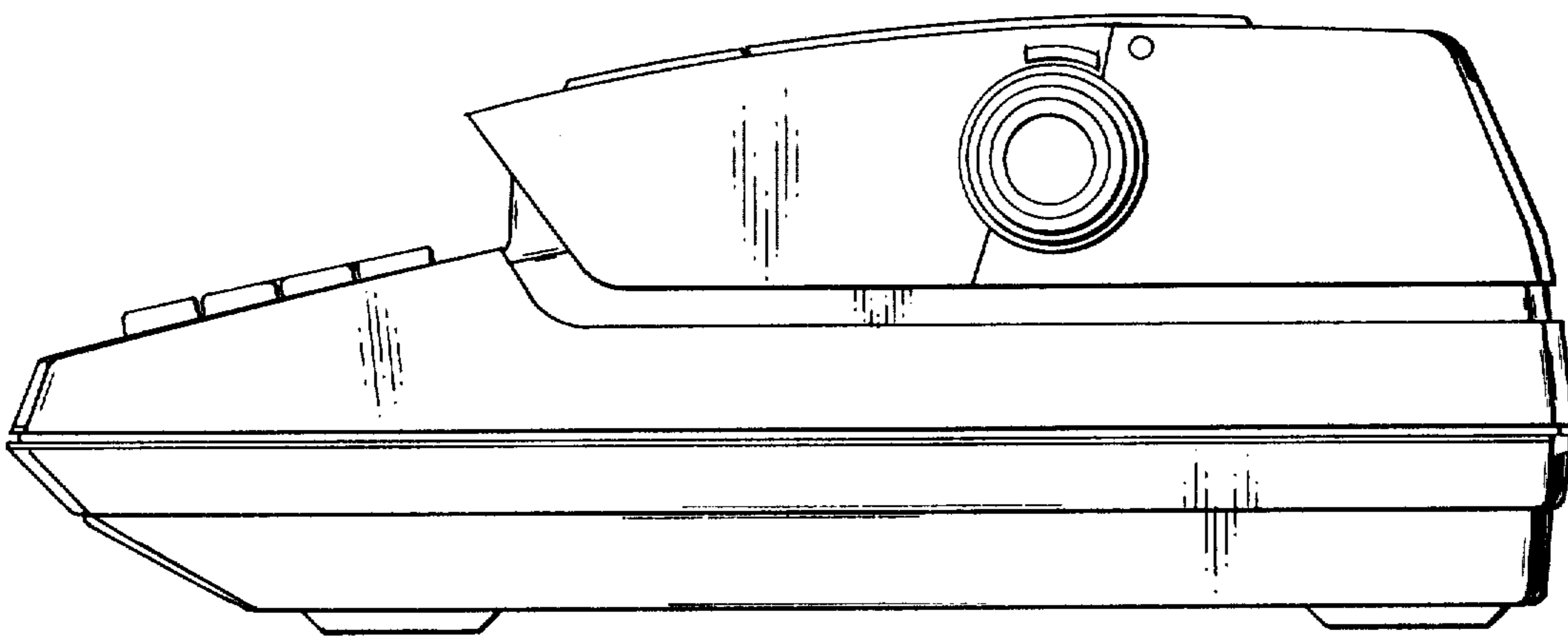


FIG 7