

[54] **PICTURE VIEWER**

[75] **Inventor:** Peter Ackeret, Küsnacht, Switzerland

[73] **Assignee:** Licinvest AG, Chur, Switzerland

[\*\*] **Term:** 14 Years

[21] **Appl. No.:** 261,275

[22] **Filed:** May 6, 1981

[30] **Foreign Application Priority Data**  
 Nov. 8, 1980 [DE] Fed. Rep. of Germany ..... URA 1152/80

[51] **Int. Cl.** ..... **D16—99**

[52] **U.S. Cl.** ..... **D16/11; D16/14; D40/513**

[58] **Field of Search** ..... **D16/11, 14, 15, 17, D16/18, 38; D9/420, 423, 432; D6/232, 236, 241-242, 244, 238; 40/490, 511, 513, 156; D20/10**

D. 255,745 7/1980 Pedersen ..... D6/236  
 D. 257,584 12/1980 Finkel ..... D9/423  
 2,294,444 9/1942 Borouhgs ..... D16/17 X  
 3,696,537 10/1972 Alleman ..... 40/511  
 3,784,540 1/1974 Barclay ..... 40/511  
 4,259,802 4/1981 Ackeret ..... 40/513

*Primary Examiner*—Nelson C. Holtje  
*Attorney, Agent, or Firm*—Peterson, Palmatier, Sturm, Sjoquist & Baker, Ltd.

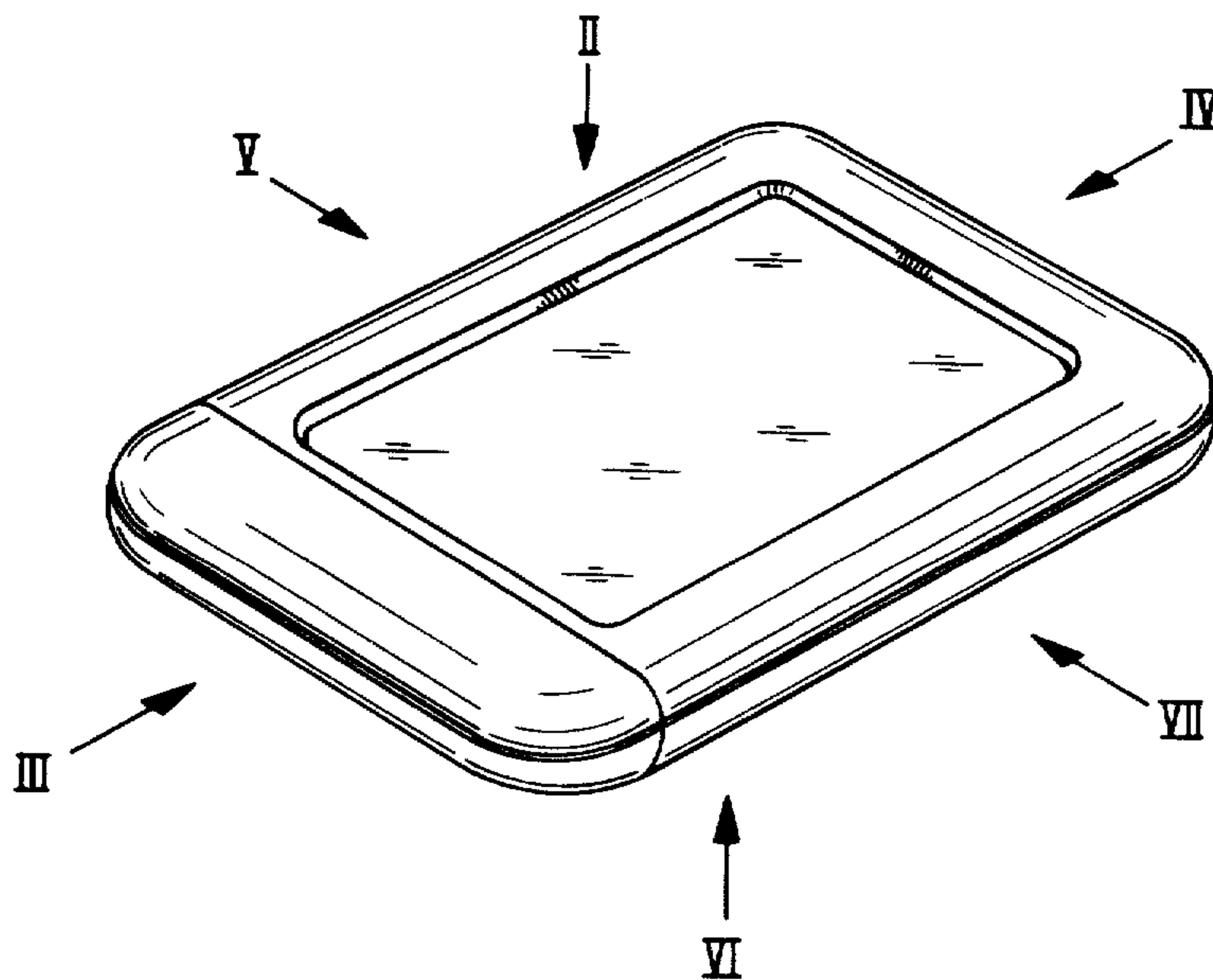
[57] **CLAIM**

The ornamental design for a picture viewer, as shown.

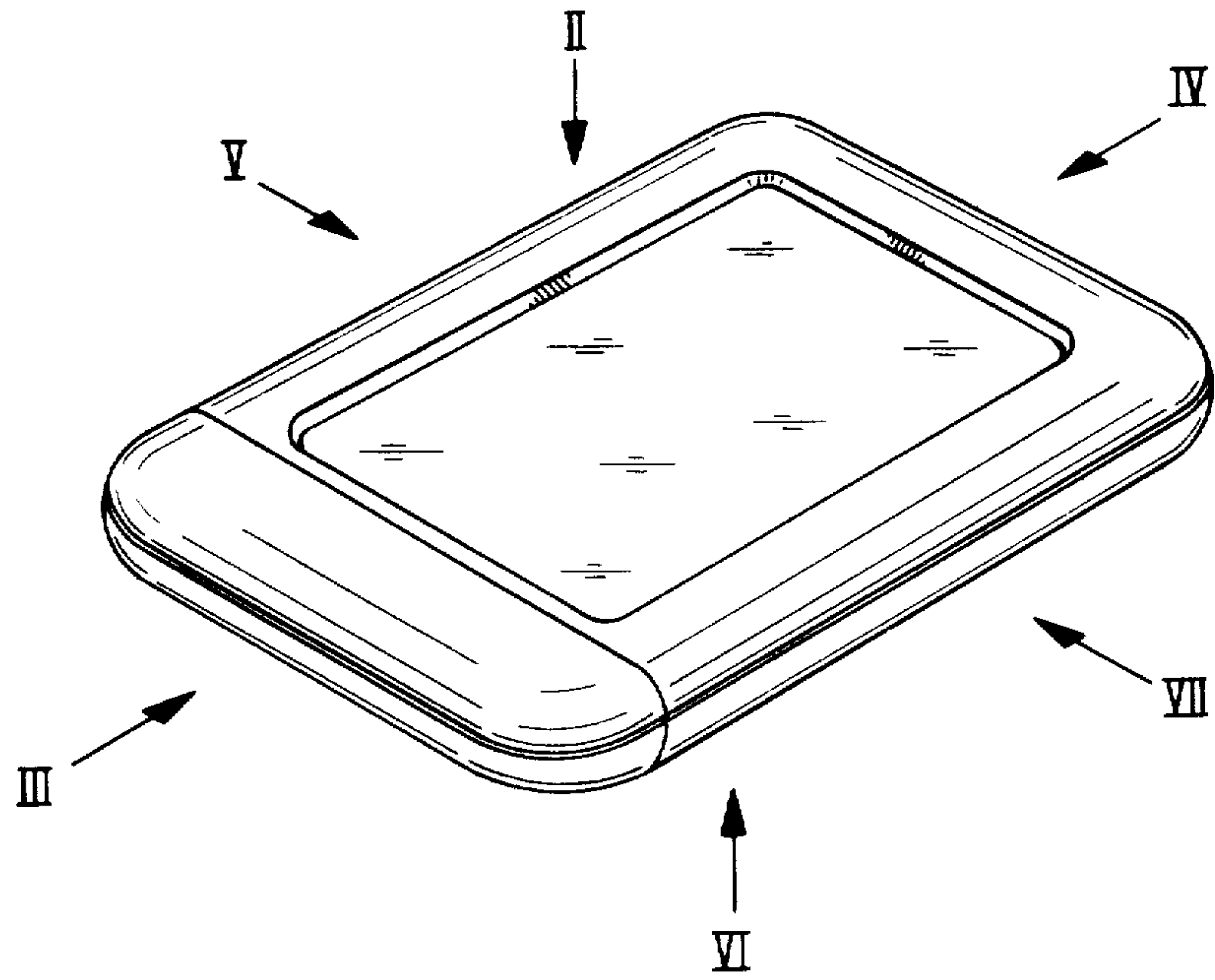
**DESCRIPTION**

FIG. 1 is a top and left front perspective view of a picture viewer showing my new design;  
 FIG. 2 is a top plan view as taken from arrow II of FIG. 1;  
 FIG. 3 is a left side elevational view as taken from arrow III of FIG. 1;  
 FIG. 4 is a right side elevational view as taken from arrow IV of FIG. 1;  
 FIG. 5 is a rear elevational view as taken from arrow V of FIG. 1;  
 FIG. 6 is a bottom plan view as taken from arrow VI of FIG. 1;  
 FIG. 7 is a front elevational view as taken from arrow VII of FIG. 1.

[56] **References Cited**  
**U.S. PATENT DOCUMENTS**  
 D. 138,526 8/1944 Spaldo ..... D6/242  
 D. 173,729 12/1954 Helms ..... D6/242



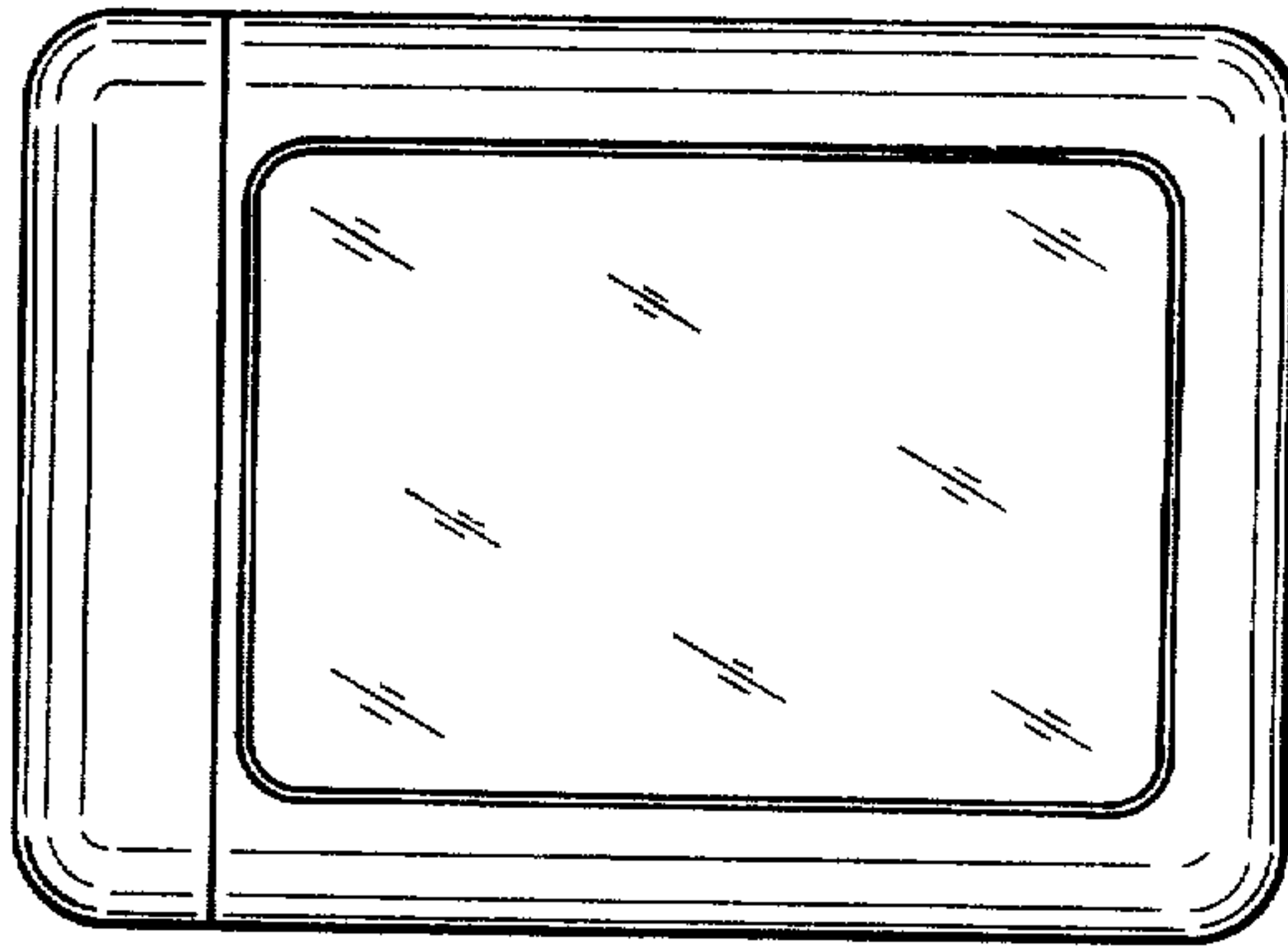
***Fig. 1***



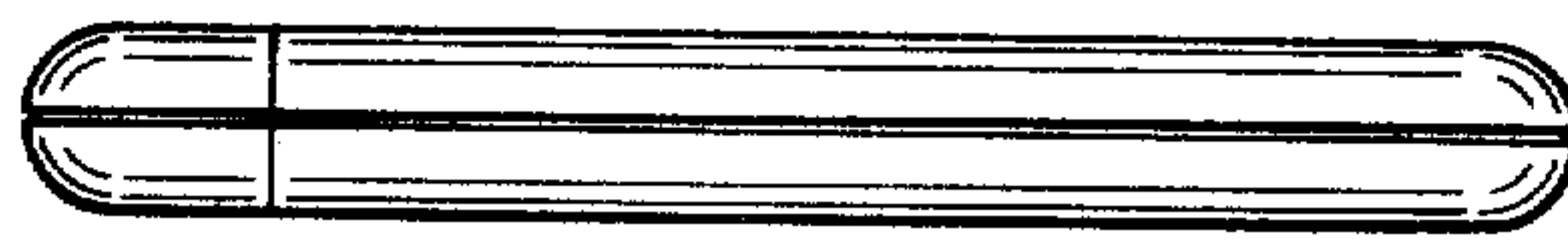
***Fig. 4***



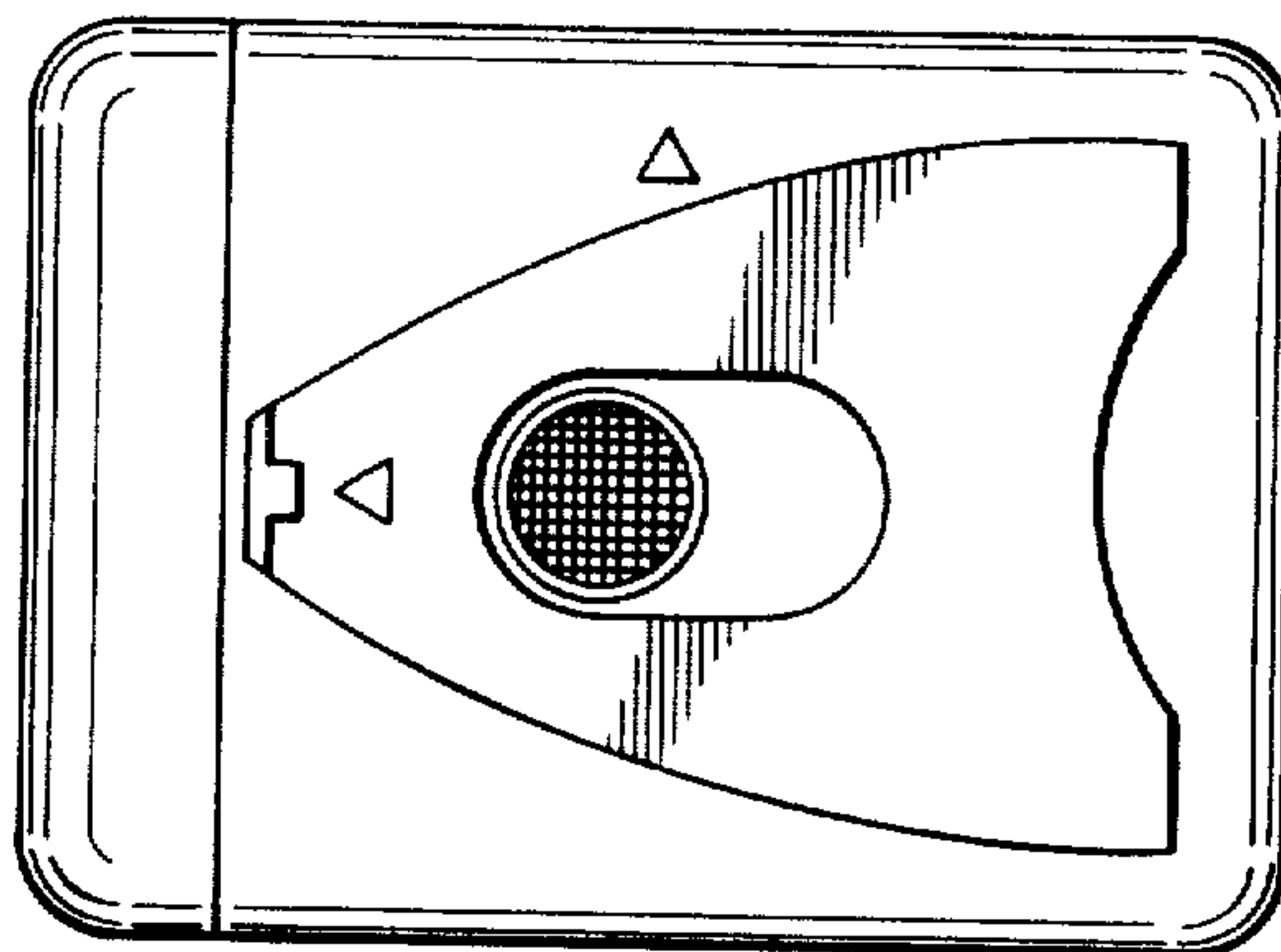
***Fig. 2***



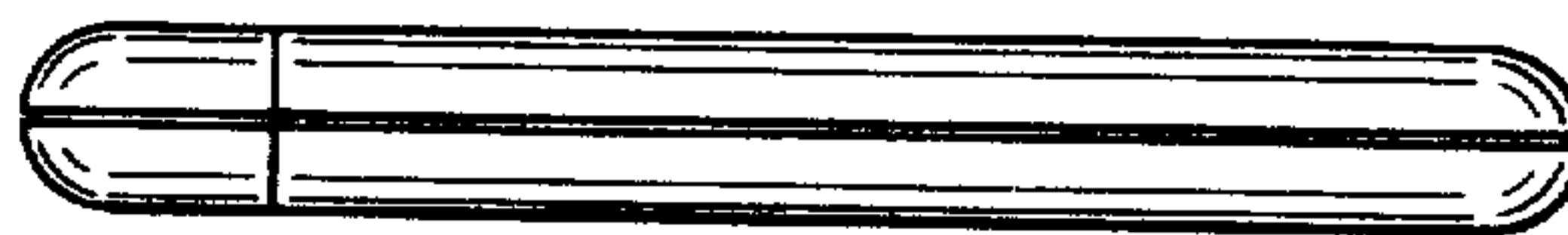
***Fig. 3***



***Fig. 5***



***Fig. 6***



***Fig. 7***