

[54] **PICTURE VIEWER**  
 [75] Inventor: Peter Ackeret, Künsnacht, Switzerland  
 [73] Assignee: Licinvest AG, Chur, Switzerland  
 [\*\*] Term: 14 Years  
 [21] Appl. No.: 261,274  
 [22] Filed: May 6, 1981  
 [30] Foreign Application Priority Data  
 Nov. 8, 1980 [DE] Fed. Rep. of Germany ..... URA 1152/80

2,294,444	9/1947	Buroughs	.....	D16/17 X
2,895,247	7/1959	Beck	.....	D16/38 X
3,695,537	10/1972	Alleman	.....	40/511
3,783,540	1/1974	Barclay	.....	40/511
4,057,920	11/1977	Weggeland	.....	40/513
4,192,905	3/1980	Scheibal	.....	D6/232 X
4,242,820	1/1981	Ackeret	.....	40/513
4,259,802	4/1981	Ackeret	.....	40/513

Primary Examiner—Nelson C. Holtje  
 Attorney, Agent, or Firm—Peterson, Palmatier, Sturm, Sjoquist & Baker, Ltd.

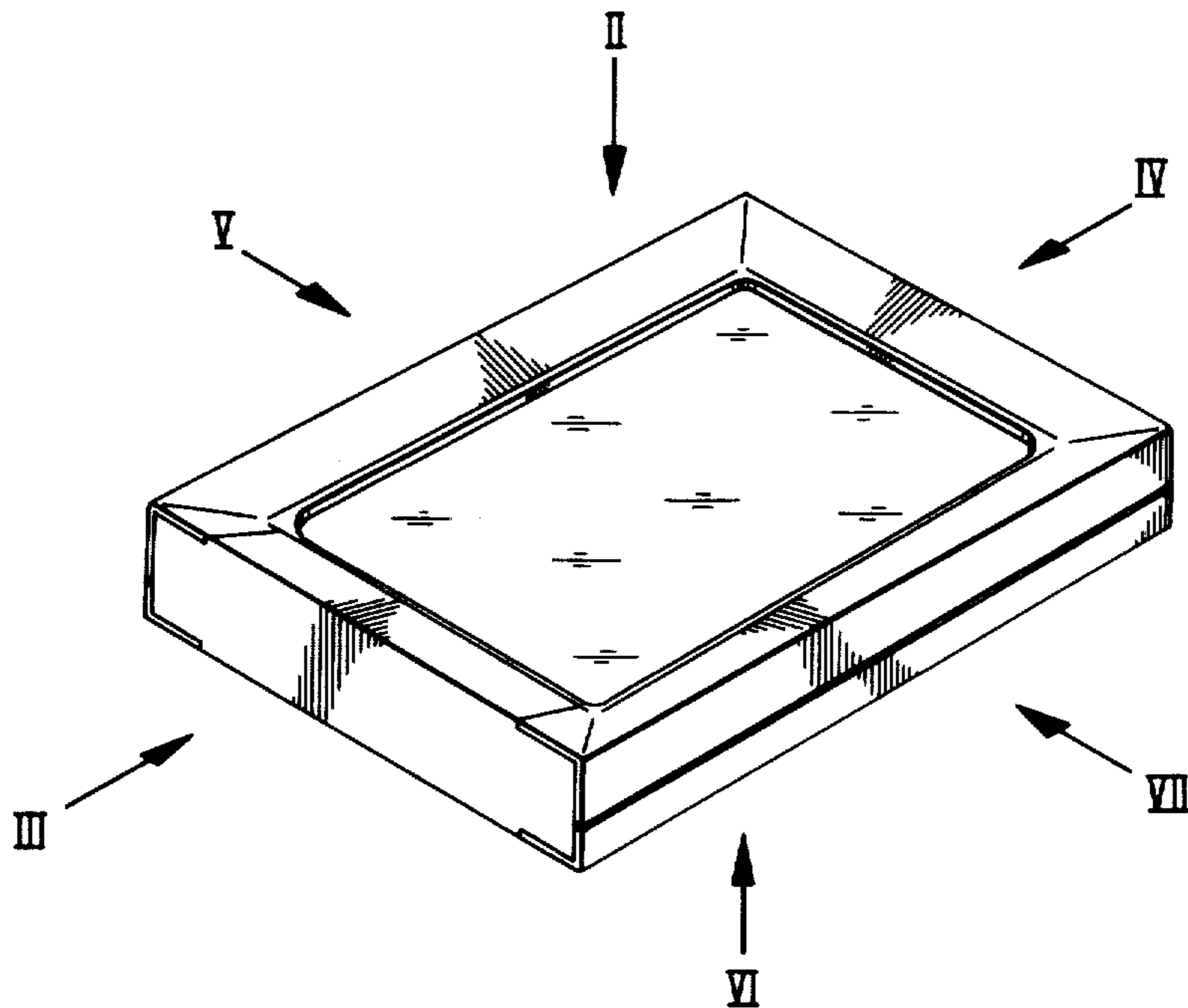
[51] Int. Cl. .... D16-99  
 [52] U.S. Cl. .... D16/11; D16/14; D40/513  
 [58] Field of Search ..... D16/11, 14, 15, 17-18, D16/38; D9/420, 423, 432; D6/232, 236, 241-242, 244, 238; 40/490, 511, 513; D20/10

[57] CLAIM  
 The ornamental design for a picture viewer, as shown.

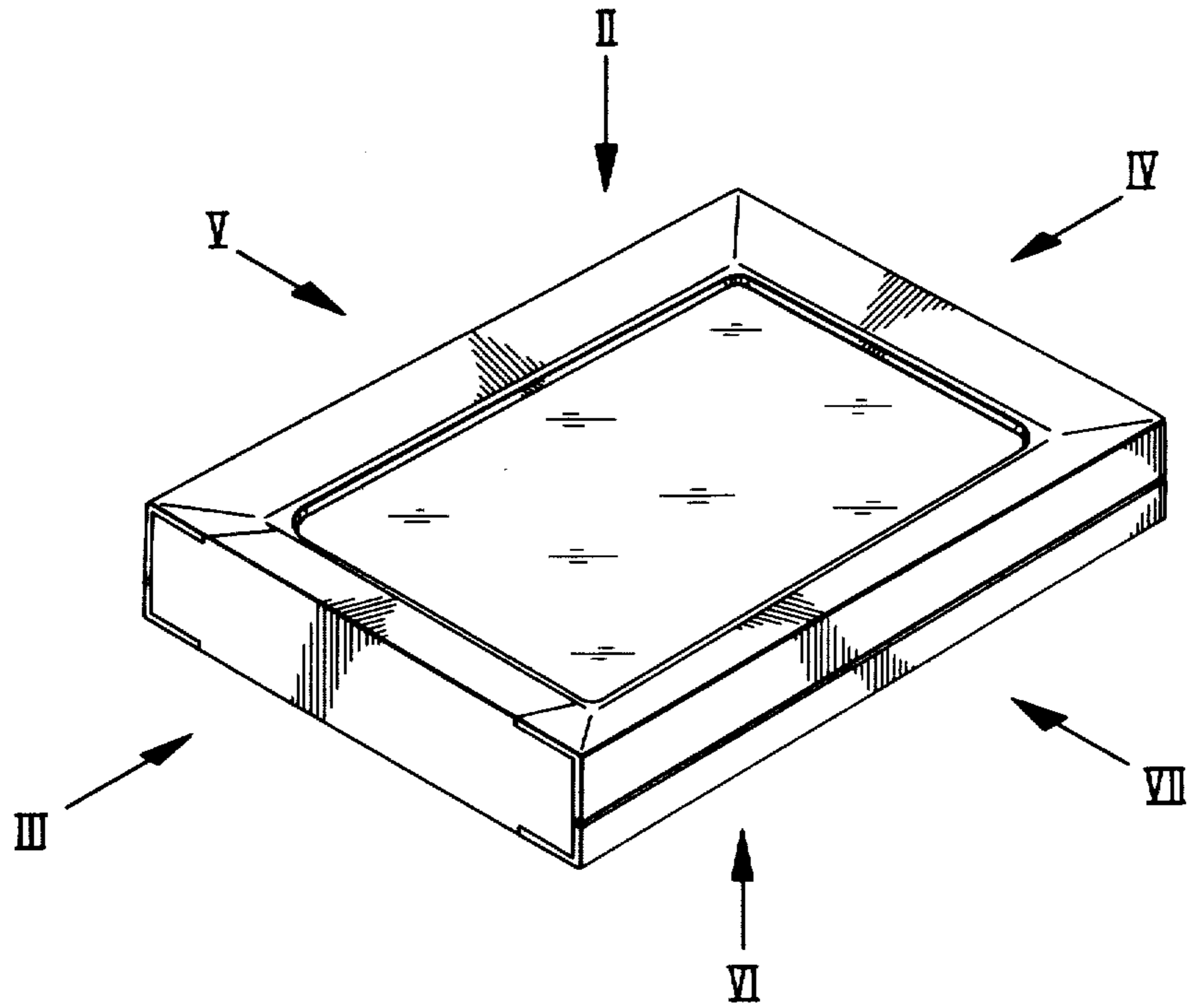
**DESCRIPTION**

FIG. 1 is a top and left front perspective view of a picture viewer showing my new design;  
 FIG. 2 is a top plan view as taken from arrow II of FIG. 1;  
 FIG. 3 is a left side elevational view as taken from arrow III of FIG. 1;  
 FIG. 4 is a right side elevational view as taken from arrow IV of FIG. 1;  
 FIG. 5 is a rear elevational view as taken from arrow V of FIG. 1;  
 FIG. 6 is a bottom plan view as taken from arrow VI of FIG. 1;  
 FIG. 7 is a front elevational view as taken from arrow VII of FIG. 1.

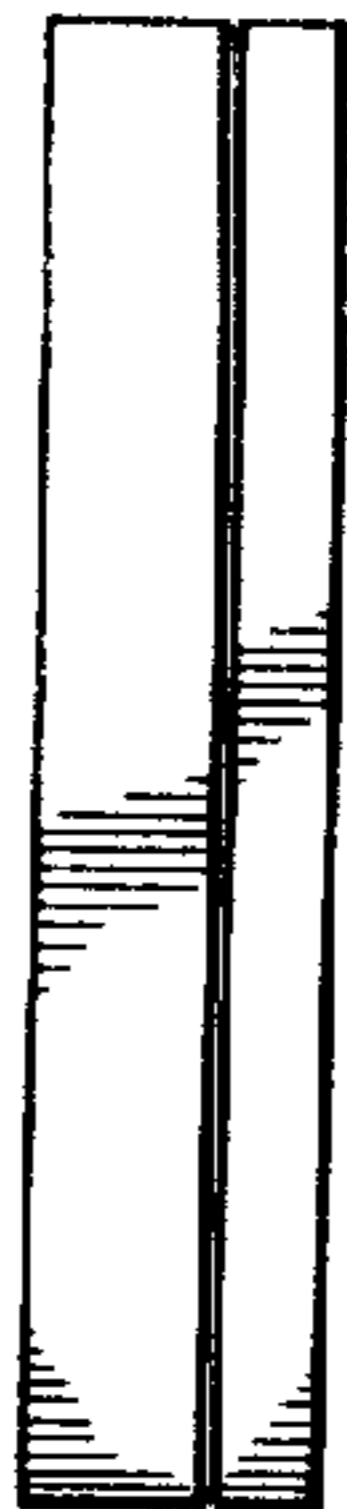
[56] References Cited  
 U.S. PATENT DOCUMENTS  
 D. 112,415 11/1938 Zumft ..... D16/38 X  
 D. 230,773 3/1974 Arnold ..... D16/38  
 D. 240,492 7/1976 Burin ..... D6/242 X  
 D. 255,745 7/1980 Pedersen ..... D6/236  
 D. 261,479 10/1981 Marks ..... D9/432  
 D. 265,485 7/1982 Liptak ..... D6/244  
 1,940,328 12/1933 Schrottenboer ..... D6/242 X



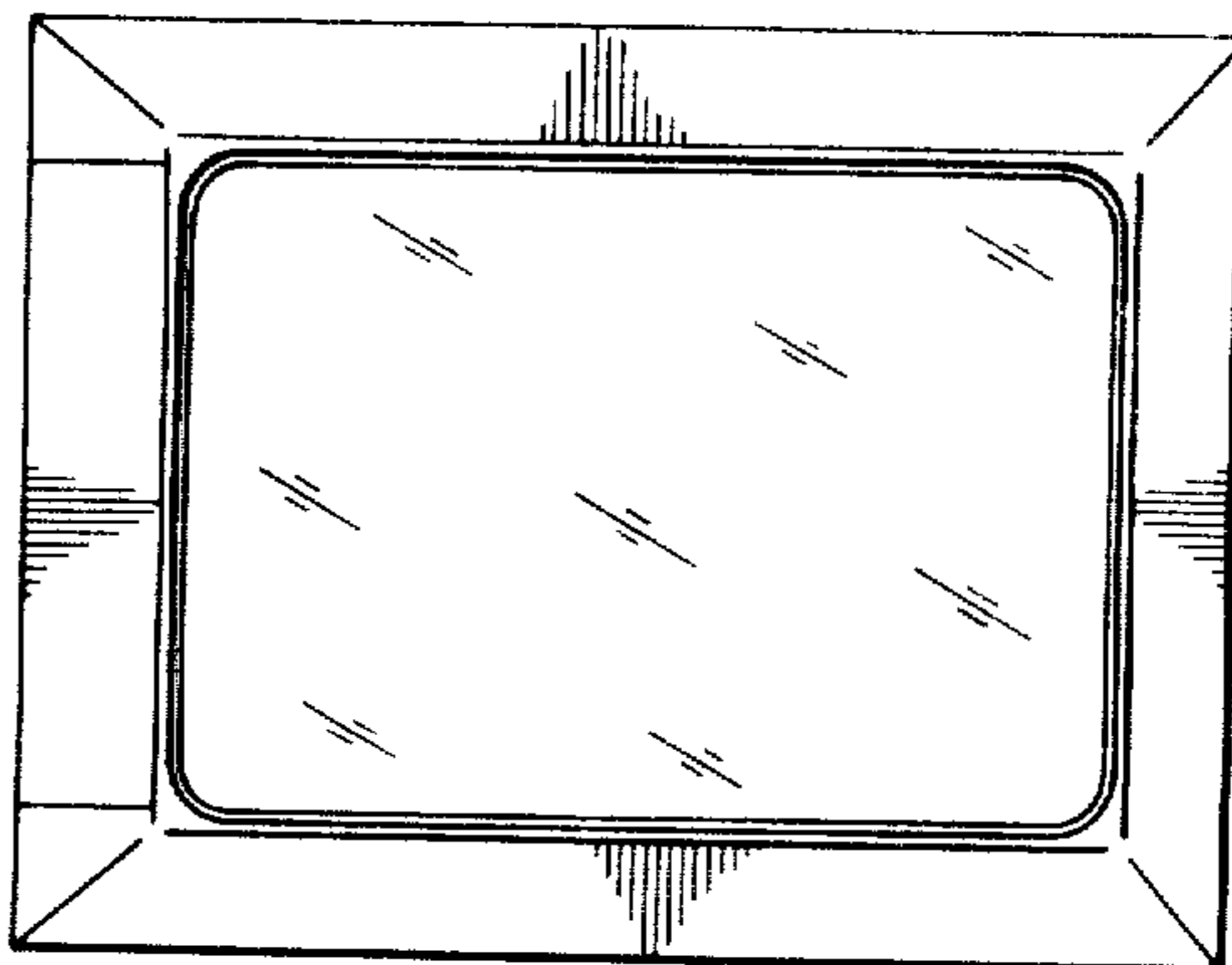
***Fig. 1***



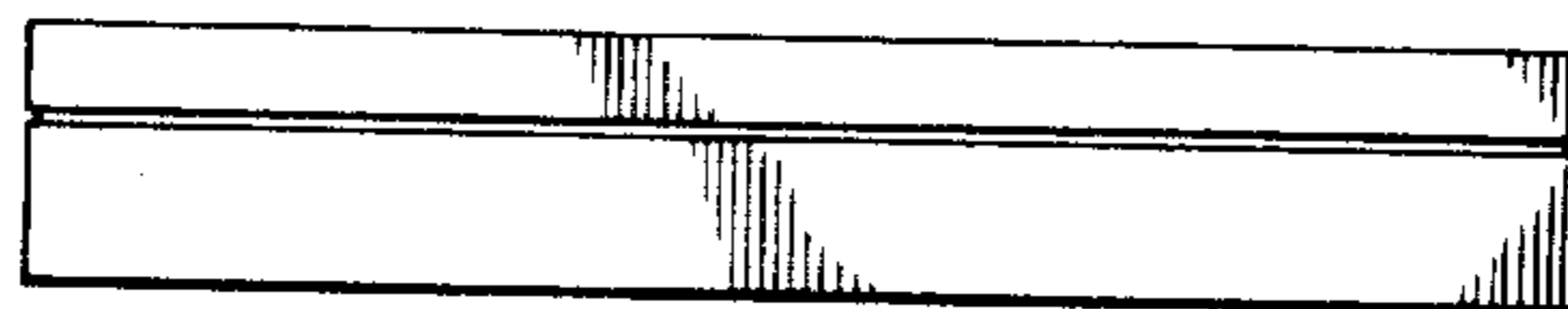
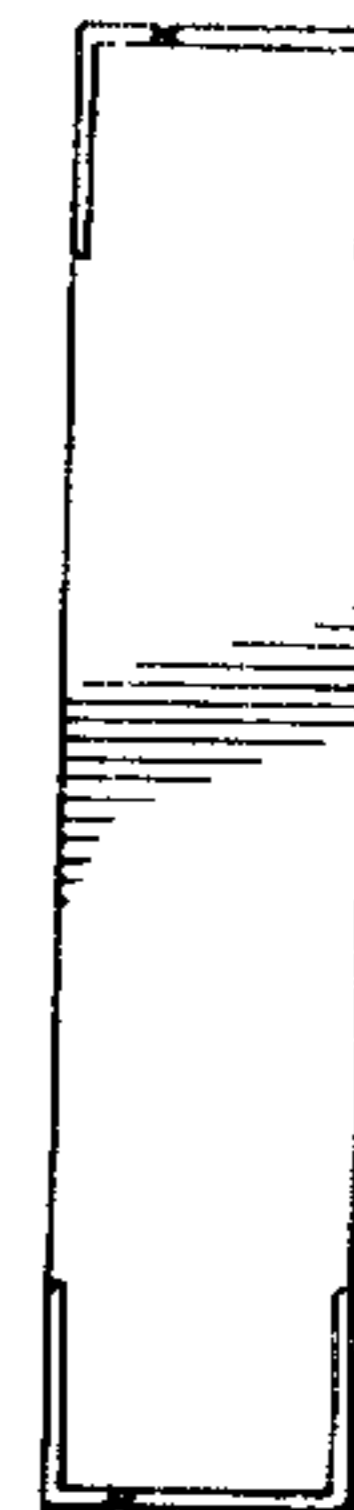
***Fig. 4***



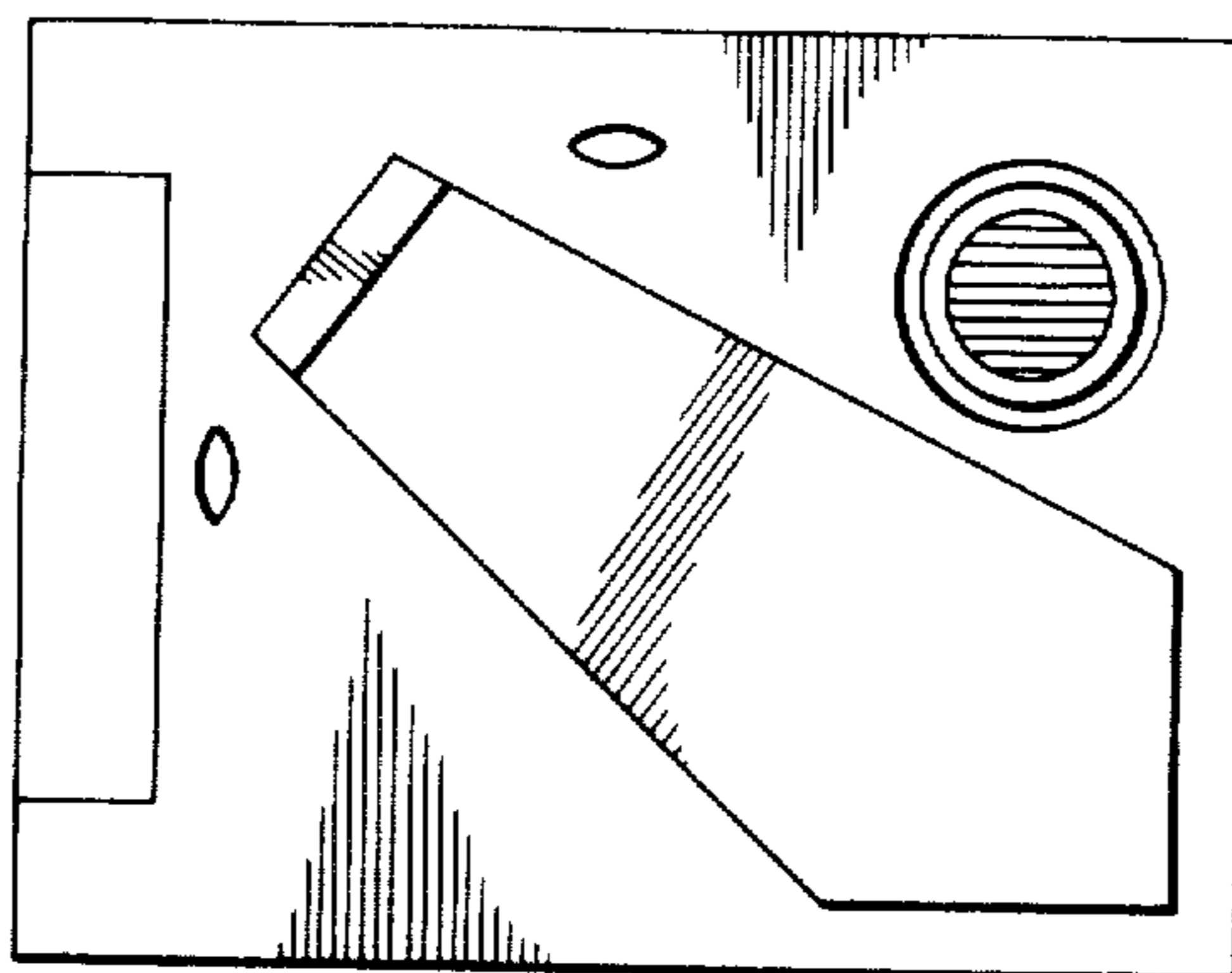
***Fig. 2***



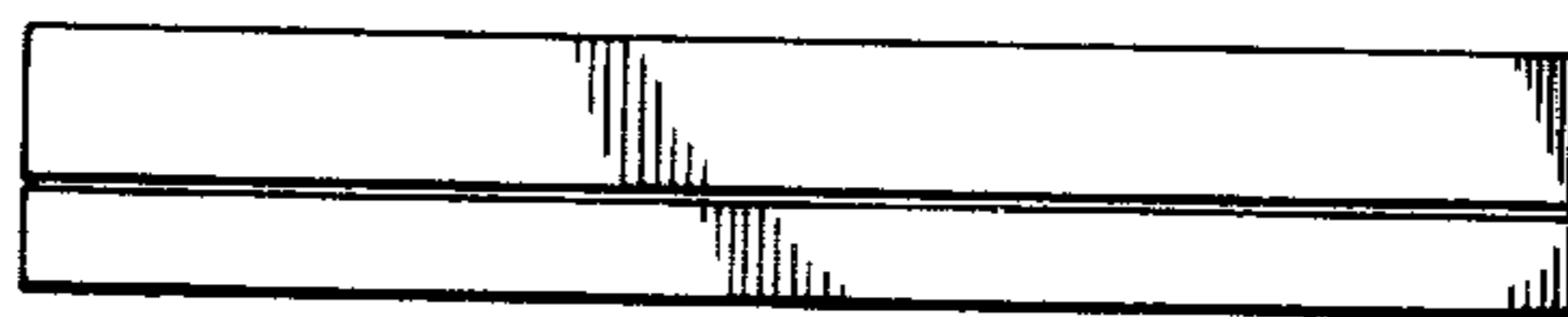
***Fig. 3***



***Fig. 5***



***Fig. 6***



***Fig. 7***