

[54] **PICTURE VIEWER**  
 [75] Inventor: **Peter Ackeret, Künsnacht, Switzerland**  
 [73] Assignee: **Licininvest AG, Chur, Switzerland**  
 [\*\*] Term: **14 Years**  
 [21] Appl. No.: **261,273**  
 [22] Filed: **May 6, 1981**  
 [30] **Foreign Application Priority Data**  
 Nov. 8, 1980 [DE] Fed. Rep. of Germany ..... URA 1152/80

D. 265,485	7/1982	Liptak .....	D6/244 X
2,294,444	9/1942	Boroughs .....	D16/17 X
2,895,247	7/1959	Beck .....	D16/38 X
3,783,540	1/1974	Barclay .....	40/511
4,259,802	4/1981	Ackeret .....	40/513

*Primary Examiner*—Nelson C. Holtje  
*Attorney, Agent, or Firm*—Peterson, Palmatier, Sturm, Sjoquist & Baker, Ltd.

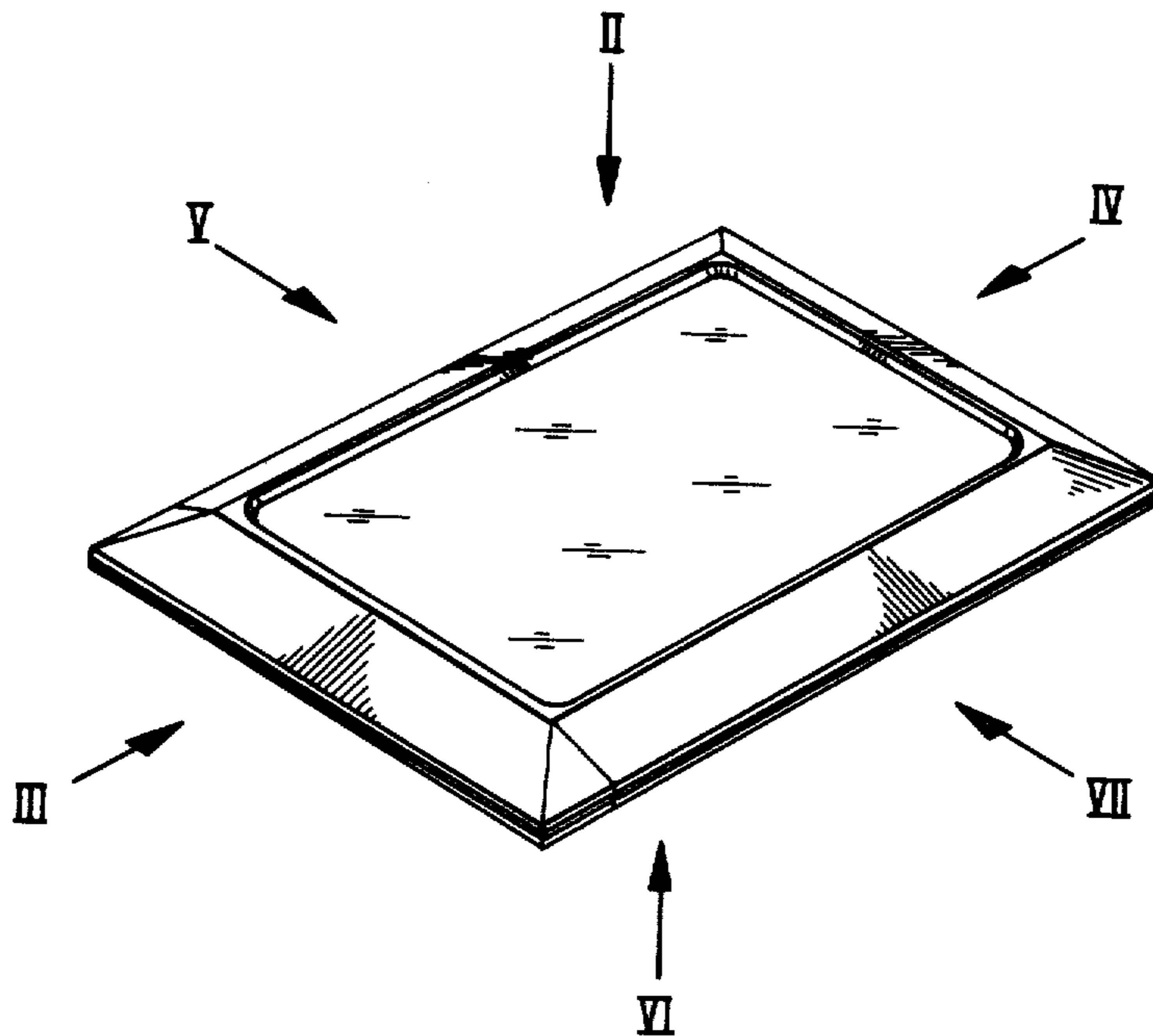
[51] **Int. Cl.** ..... **D16—99**  
 [52] **U.S. Cl.** ..... **D16/11; D16/14; D40/513**  
 [58] **Field of Search** ..... **D16/11, 14, 15, 17-18, D16/38; D9/420, 423, 432; D6/232, 236, 241-242, 244, 238; 40/490, 511, 513; D20/10**

[57] **CLAIM**  
 The ornamental design for a picture viewer, as shown.

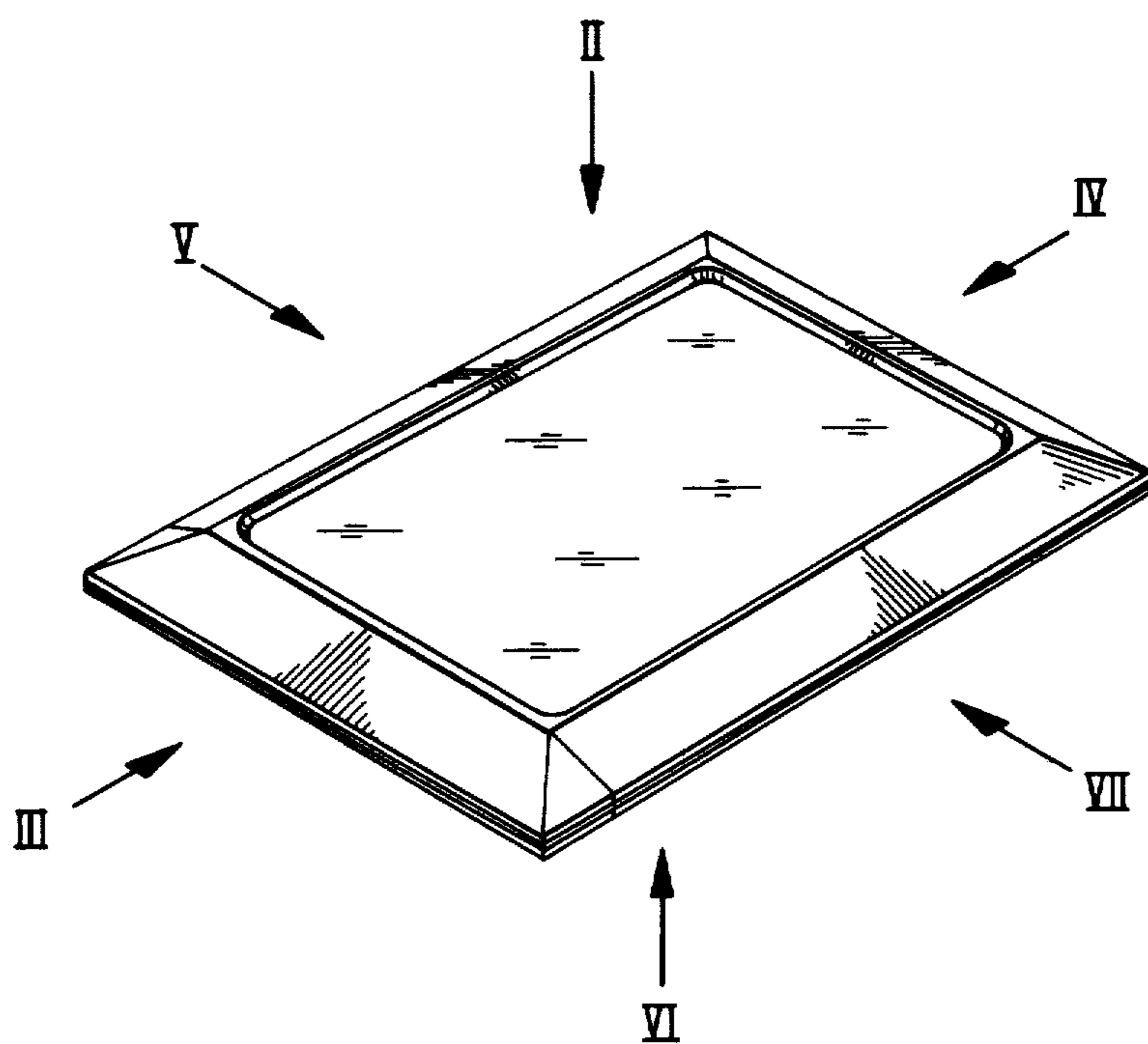
**DESCRIPTION**

FIG. 1 is a top and left front perspective view of a picture viewer showing my new design;  
 FIG. 2 is a top plan view as taken from arrow II of FIG. 1;  
 FIG. 3 is a left side elevational view as taken from arrow III of FIG. 1;  
 FIG. 4 is a right side elevational view as taken from arrow IV of FIG. 1;  
 FIG. 5 is a rear elevational view as taken from arrow V of FIG. 1;  
 FIG. 6 is a bottom plan view as taken from arrow VI of FIG. 1;  
 FIG. 7 is a front elevational view as taken from arrow VII of FIG. 1.

[56] **References Cited**  
**U.S. PATENT DOCUMENTS**  
 D. 230,773 3/1974 Arnold ..... D9/243 X  
 D. 240,492 7/1976 Burin ..... D6/242 X  
 D. 255,745 7/1980 Pedersen ..... D6/236  
 D. 261,479 10/1981 Marks ..... D9/432 X



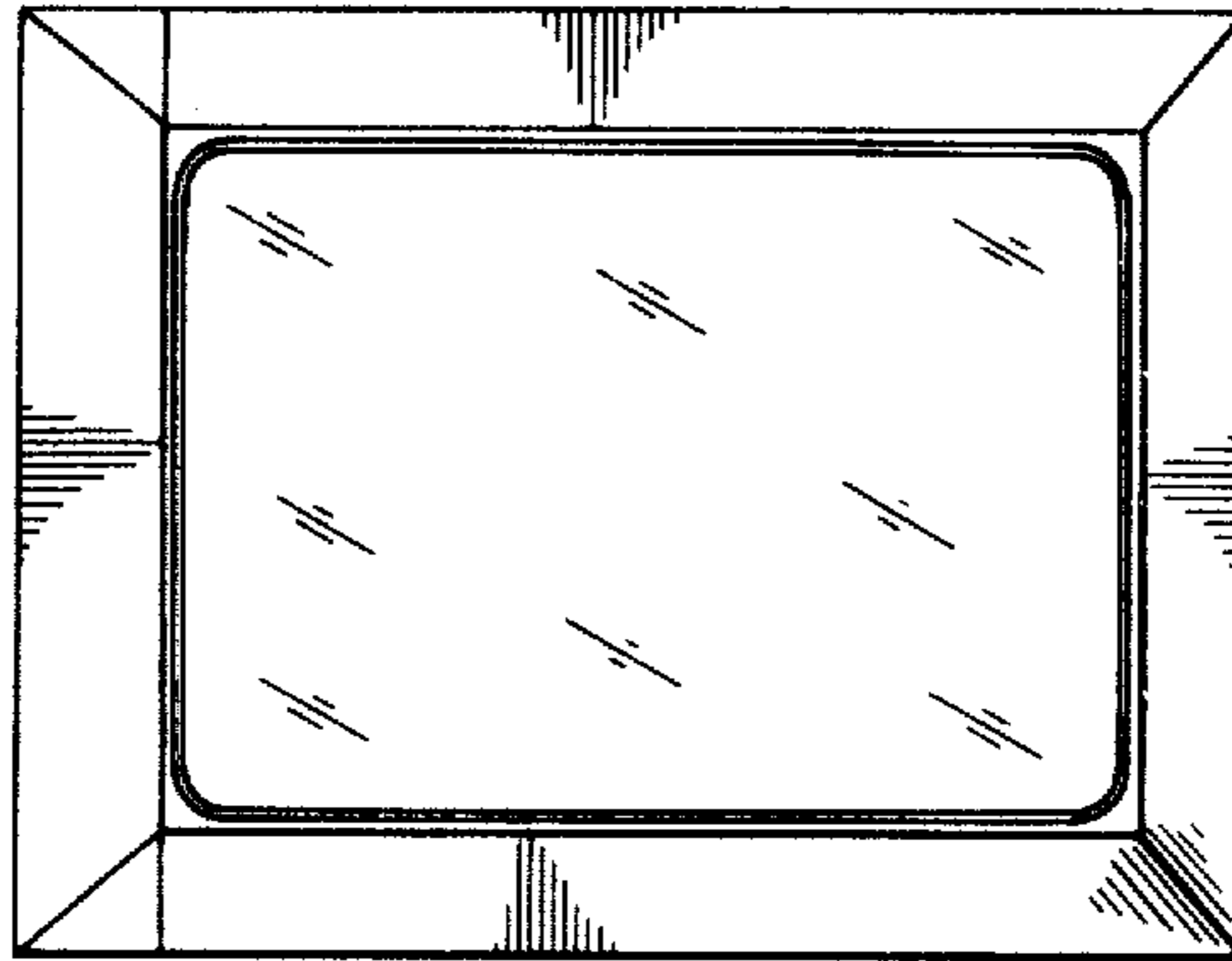
***Fig. 1***



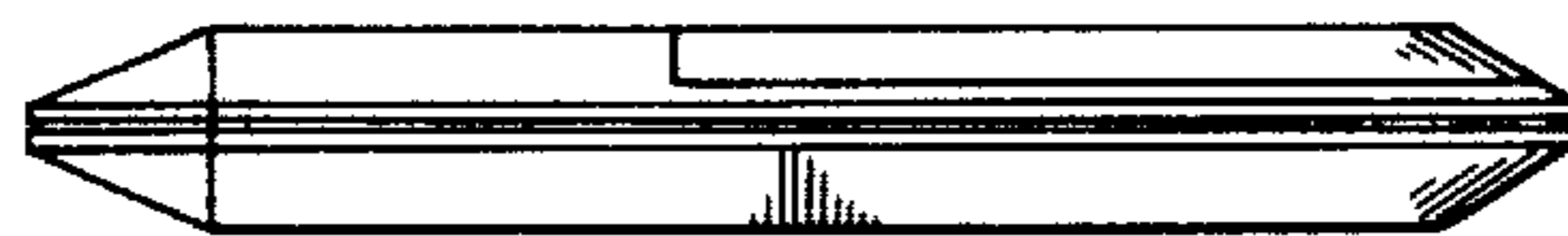
***Fig. 4***



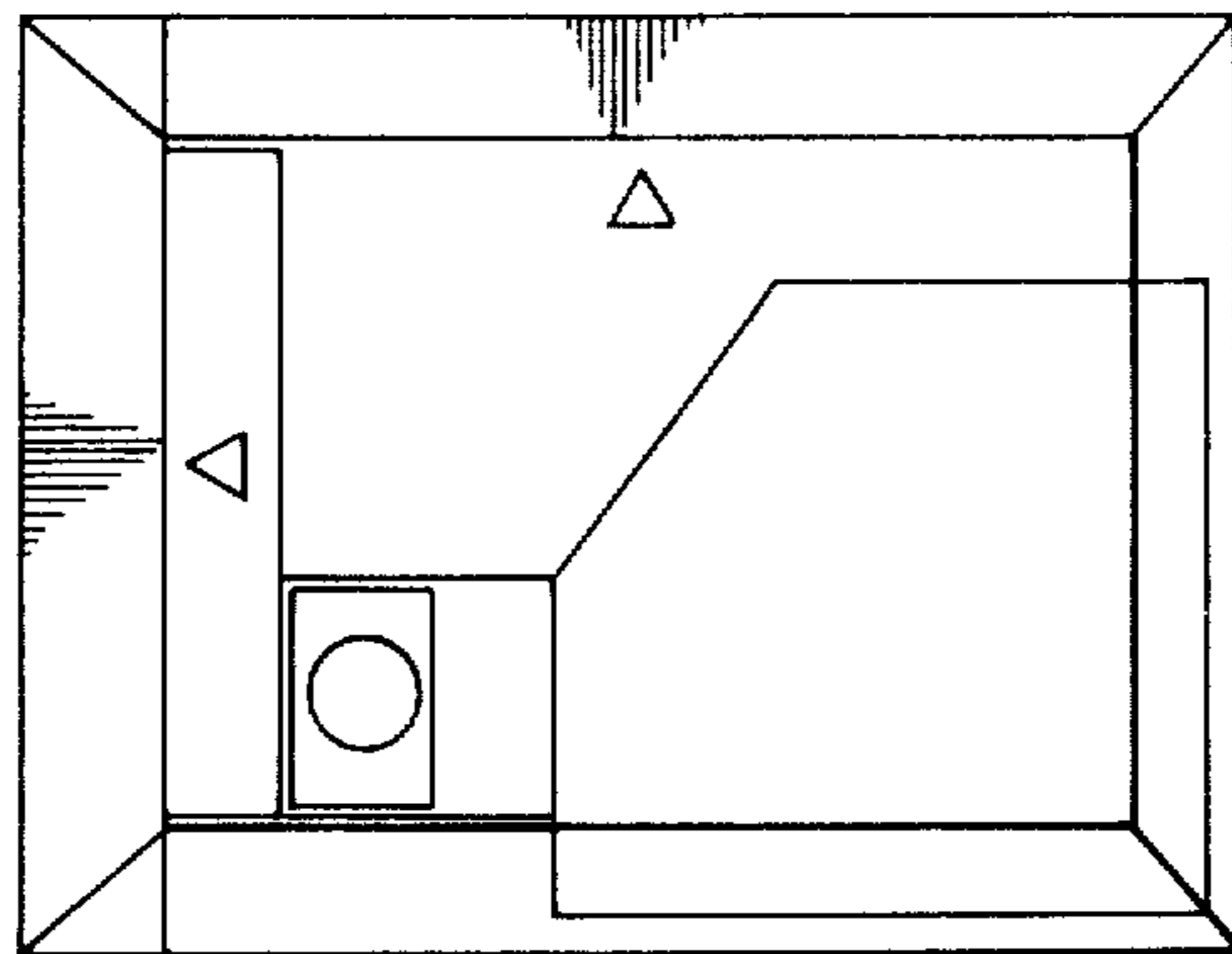
***Fig. 2***



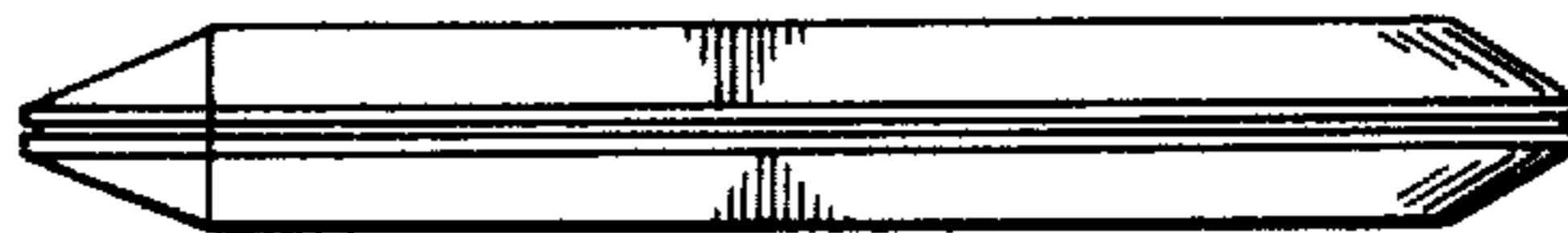
***Fig. 3***



***Fig. 5***



***Fig. 6***



***Fig. 7***