

[54] PICTURE VIEWER

[75] Inventor: Peter Ackeret, Küsnacht, Switzerland

[73] Assignee: Licinvest AG, Chur, Switzerland

[**] Term: 14 Years

[21] Appl. No.: 261,272

[22] Filed: May 6, 1981

[30] Foreign Application Priority Data

Nov. 8, 1980 [DE] Fed. Rep. of Germany URA 1152/80

[51] Int. Cl. D16-99

[52] U.S. Cl. D16/11; D16/14; 40/513

[58] Field of Search D16/11, 14, 15, 17-18, D16/38; D6/232, 236, 241-242, 244, 238; D9/420, 423, 432; 40/490, 511, 513; D20/10

[56] References Cited

U.S. PATENT DOCUMENTS

D. 173,729 12/1954 Helms D6/242
D. 265,485 7/1982 Liptak D6/244 X

2,294,444 9/1942 Boroughs D16/17 X
3,783,540 1/1974 Barclay 40/511
4,259,802 4/1981 Ackeret 40/513

Primary Examiner—Nelson C. Holtje
Attorney, Agent, or Firm—Peterson, Palmatier, Sturm, Sjoquist & Baker, Ltd.

[57] CLAIM

The ornamental design for a picture viewer, as shown and described.

DESCRIPTION

FIG. 1 is a top and left front perspective view of a picture viewer showing my new design;
FIG. 2 is a top plan view as taken from arrow II of FIG. 1;
FIG. 3 is a left side elevational view as taken from arrow III of FIG. 1;
FIG. 4 is a right side elevational view as taken from arrow IV of FIG. 1;
FIG. 5 is a rear elevational view as taken from arrow V of FIG. 1;
FIG. 6 is a bottom plan view as taken from arrow VI of FIG. 1;
FIG. 7 is a front elevational view as taken from arrow VII of FIG. 1.

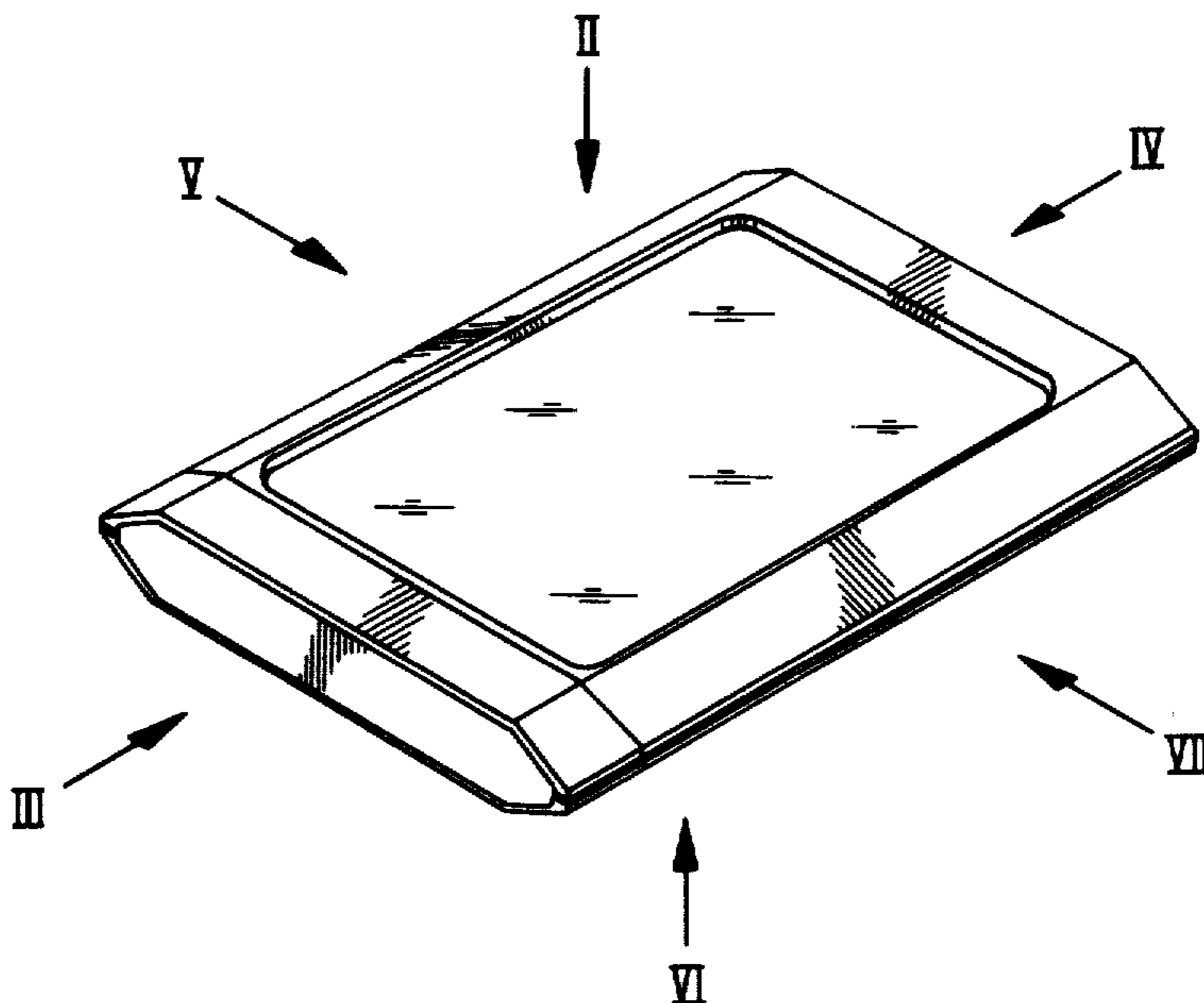


Fig. 1

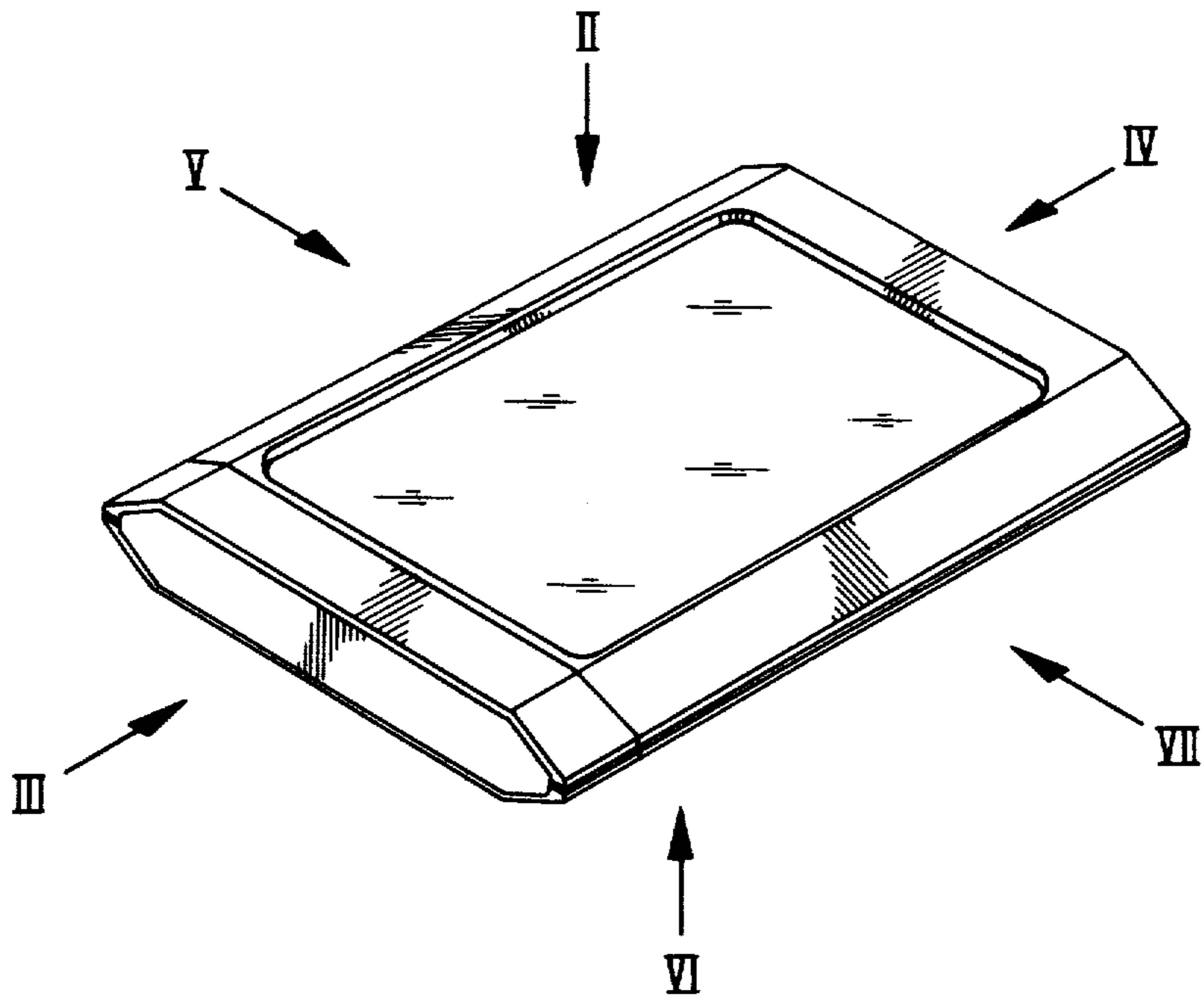


Fig. 4



Fig. 2

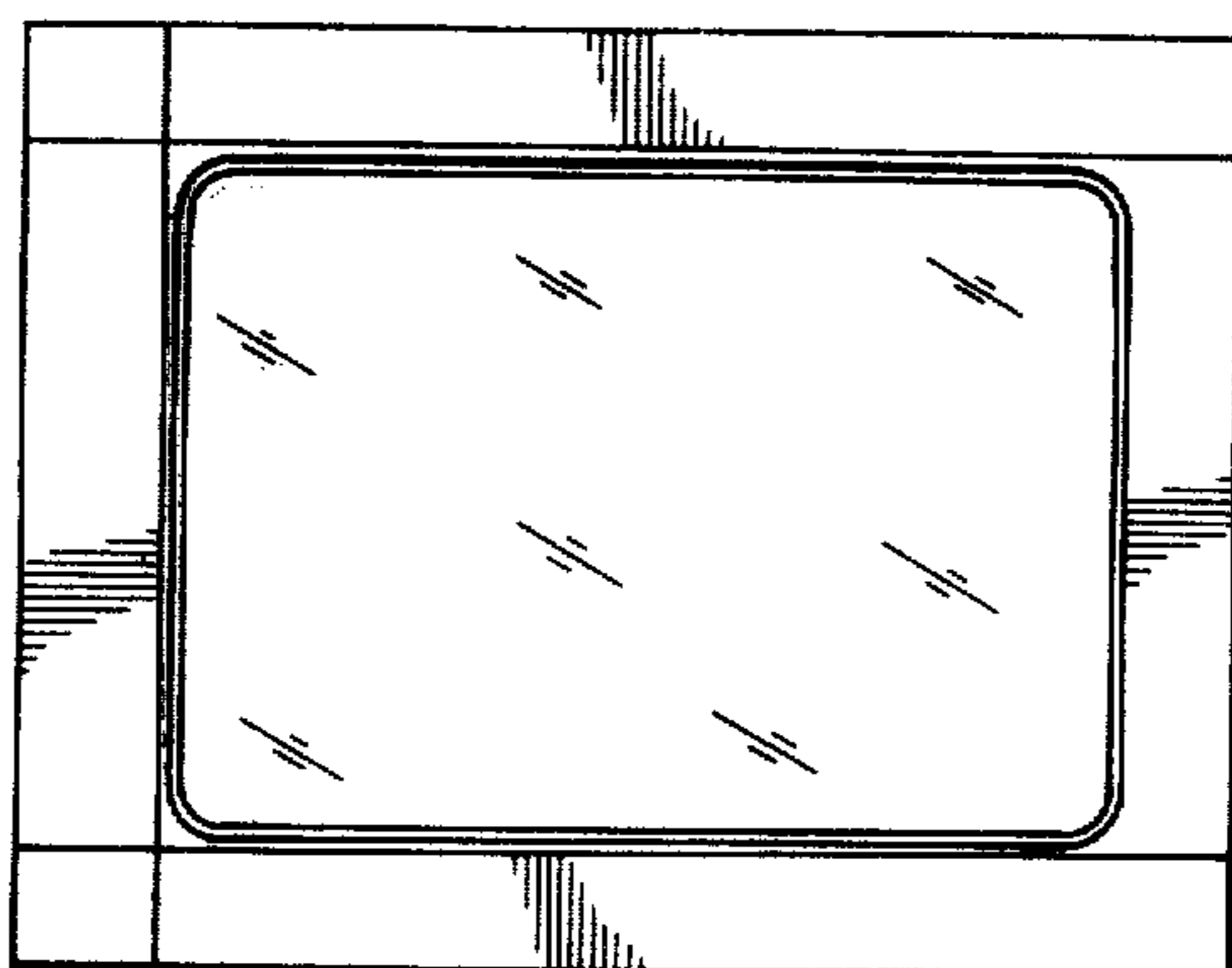


Fig. 3

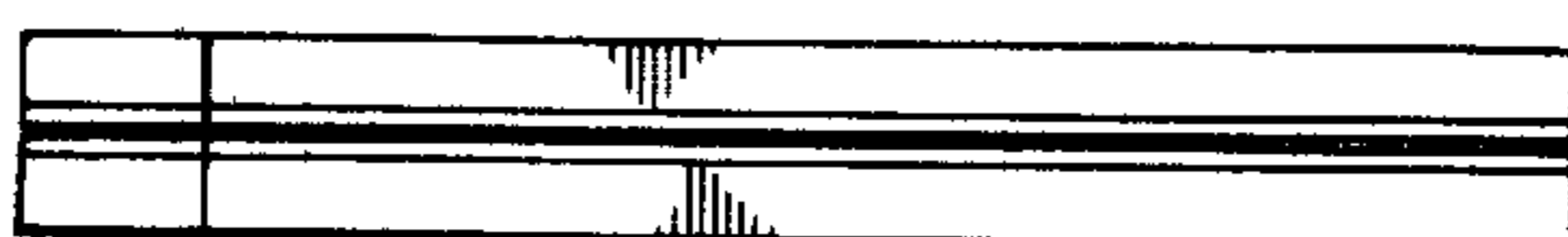


Fig. 5

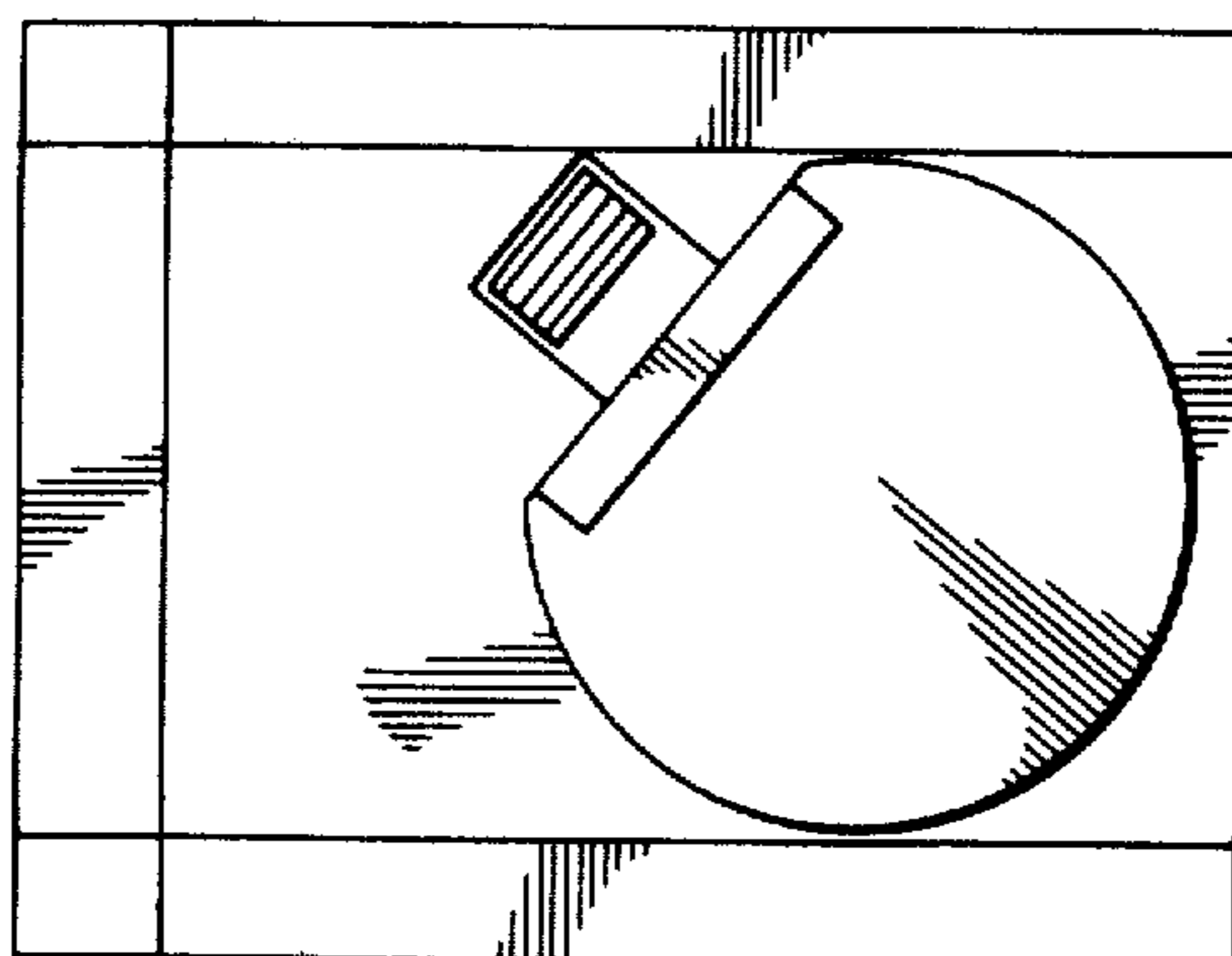


Fig. 6



Fig. 7