

[54] **PICTURE VIEWER**

[75] Inventor: **Peter Ackeret, Künsnacht, Switzerland**

[73] Assignee: **Licinvest AG, Chur, Switzerland**

[**] Term: **14 Years**

[21] Appl. No.: **261,027**

[22] Filed: **May 6, 1981**

[30] **Foreign Application Priority Data**
 Nov. 8, 1980 [DE] Fed. Rep. of Germany URA 1152/80

2,294,444 9/1942 Boroughs D16/17
 3,696,537 10/1972 Alleman 40/511
 3,783,540 1/1974 Barclay 40/511
 4,192,905 3/1980 Scheibal D6/232
 4,259,802 4/1981 Ackeret 40/513

Primary Examiner—Nelson C. Holtje
Attorney, Agent, or Firm—Peterson, Palmatier, Sturm, Sjoquist & Baker, Ltd.

[51] Int. Cl. **D16—99**

[52] U.S. Cl. **D16/11; D16/14; 40/513**

[58] **Field of Search** D16/11, 14, 15, 17-18, D16/38; D6/232, 236, 238, 241-242, 244; D9/420, 423, 432; 40/490, 511, 513; D20/10

[56] **References Cited**

U.S. PATENT DOCUMENTS

D. 138,526 8/1944 Spaldo D6/242
 D. 173,729 12/1954 Helms D6/242
 D. 255,745 7/1980 Pedersen D6/236
 D. 257,584 12/1980 Finkel D9/423

[57] **CLAIM**

The ornamental design for a picture viewer, as shown and described.

DESCRIPTION

FIG. 1 is a top and left front perspective view of a picture viewer showing my new design;
 FIG. 2 is a top plan view as taken from arrow II of FIG. 1;
 FIG. 3 is a left side elevational view as taken from arrow III of FIG. 1;
 FIG. 4 is a right side elevational view as taken from arrow IV of FIG. 1;
 FIG. 5 is a rear elevational view as taken from arrow V of FIG. 1;
 FIG. 6 is a bottom plan view as taken from arrow VI of FIG. 1;
 FIG. 7 is a front elevational view as taken from arrow VII of FIG. 1.

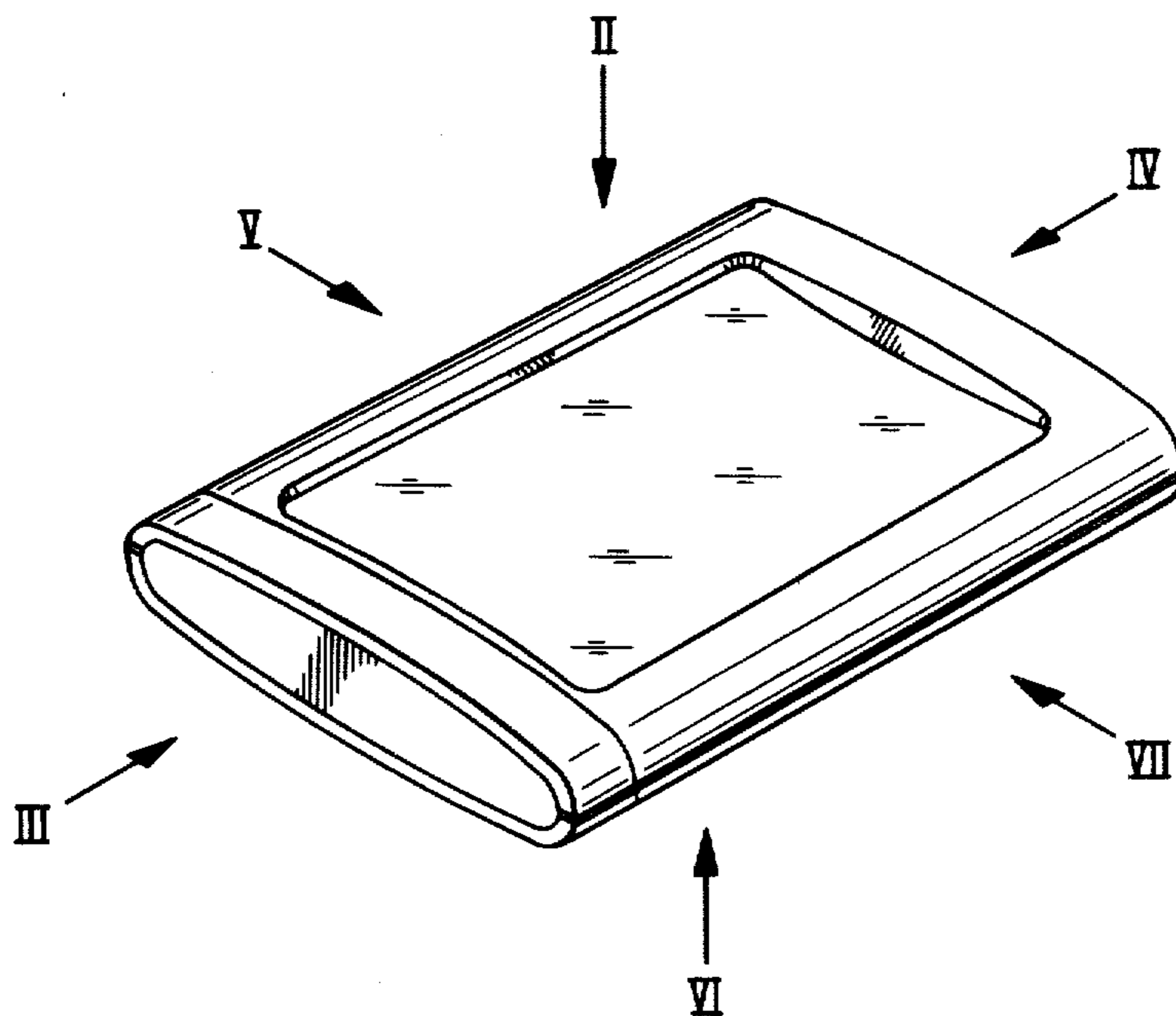


Fig. 1

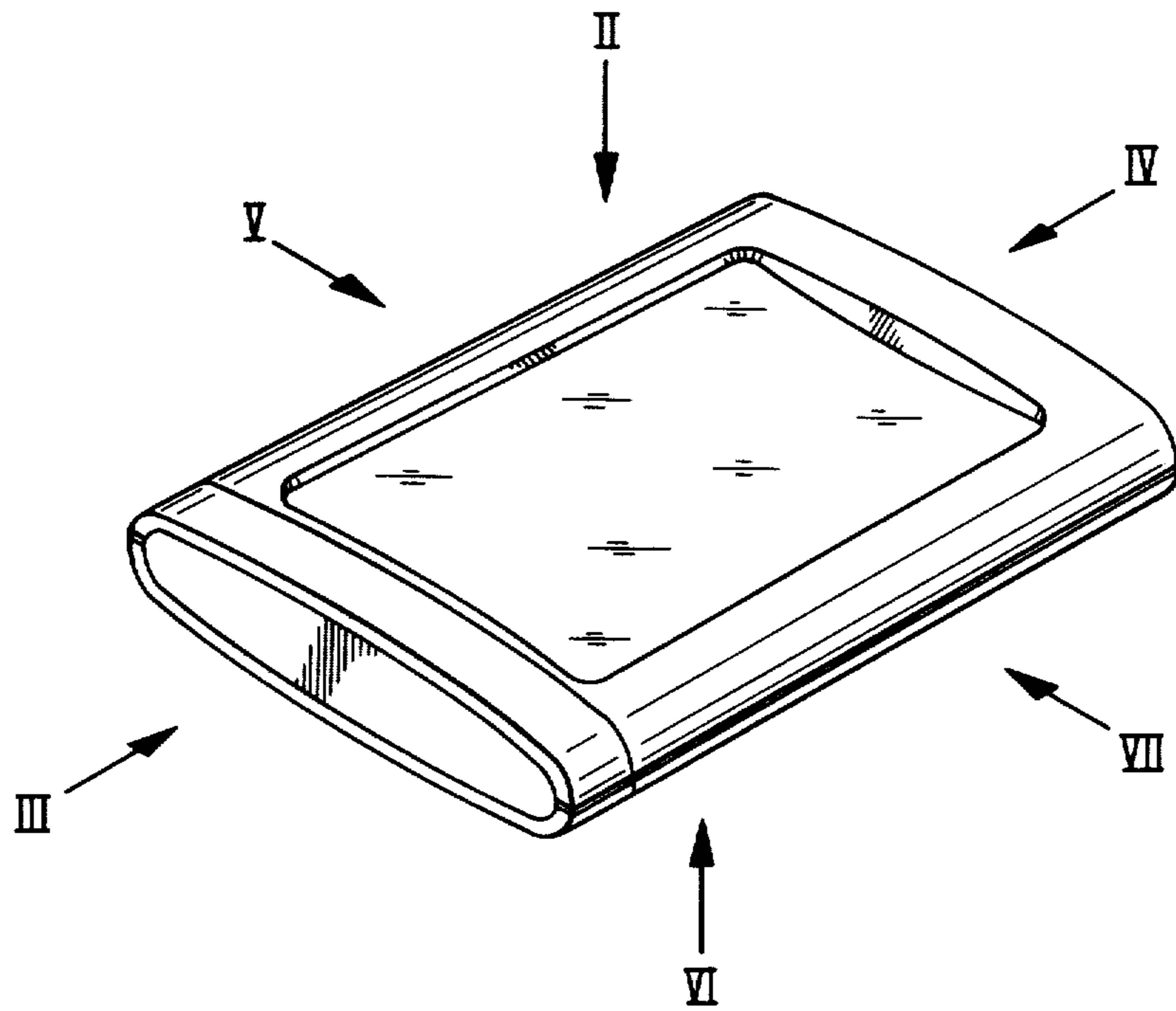


Fig. 4



Fig. 2

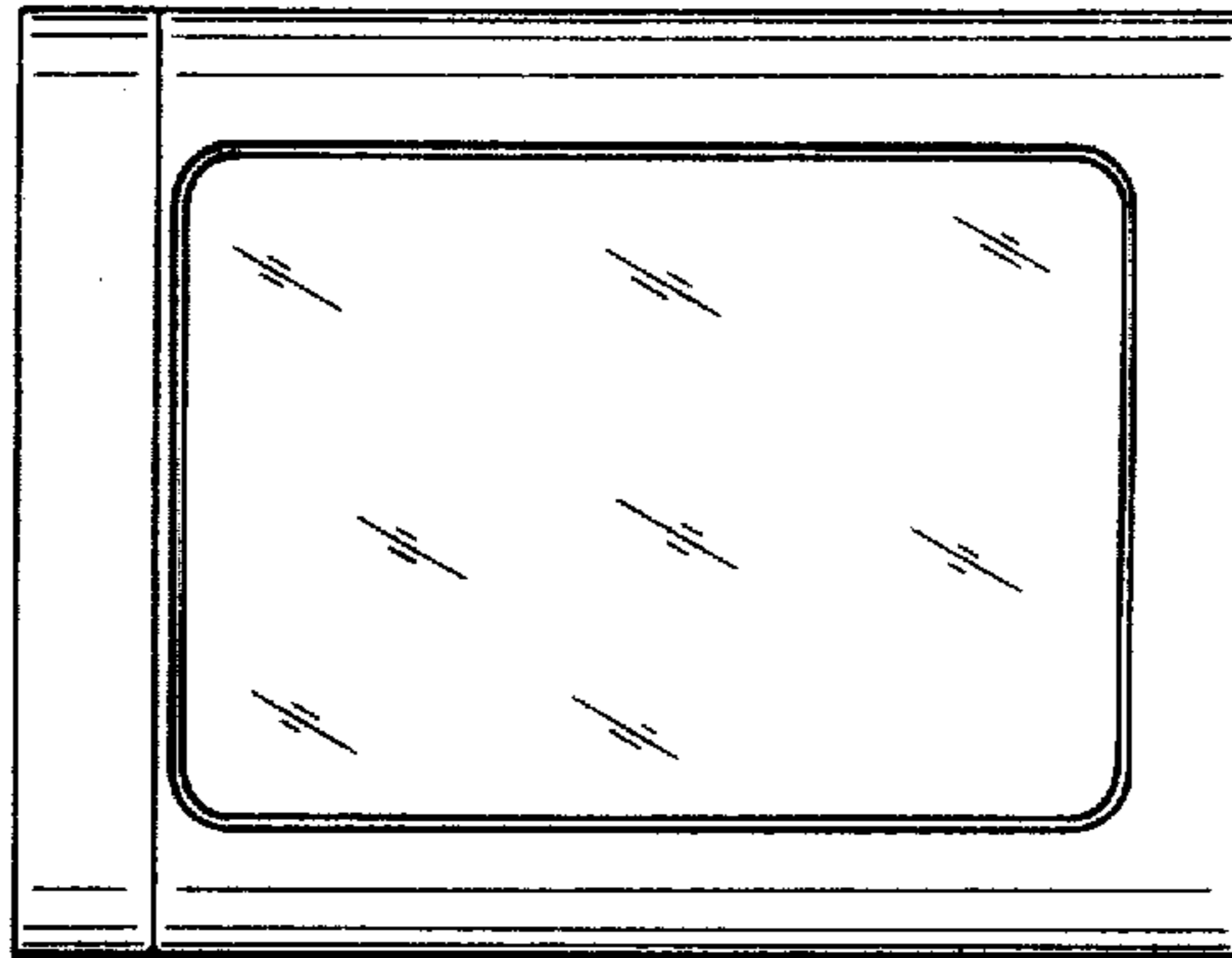


Fig. 3

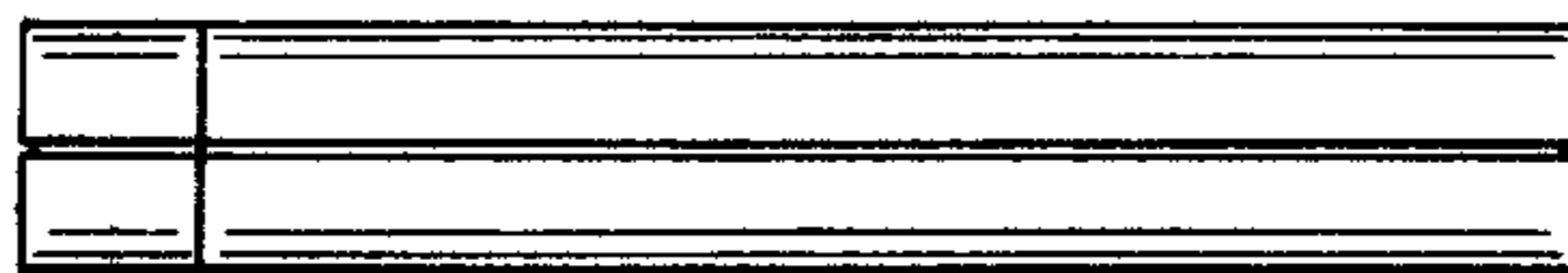


Fig. 5

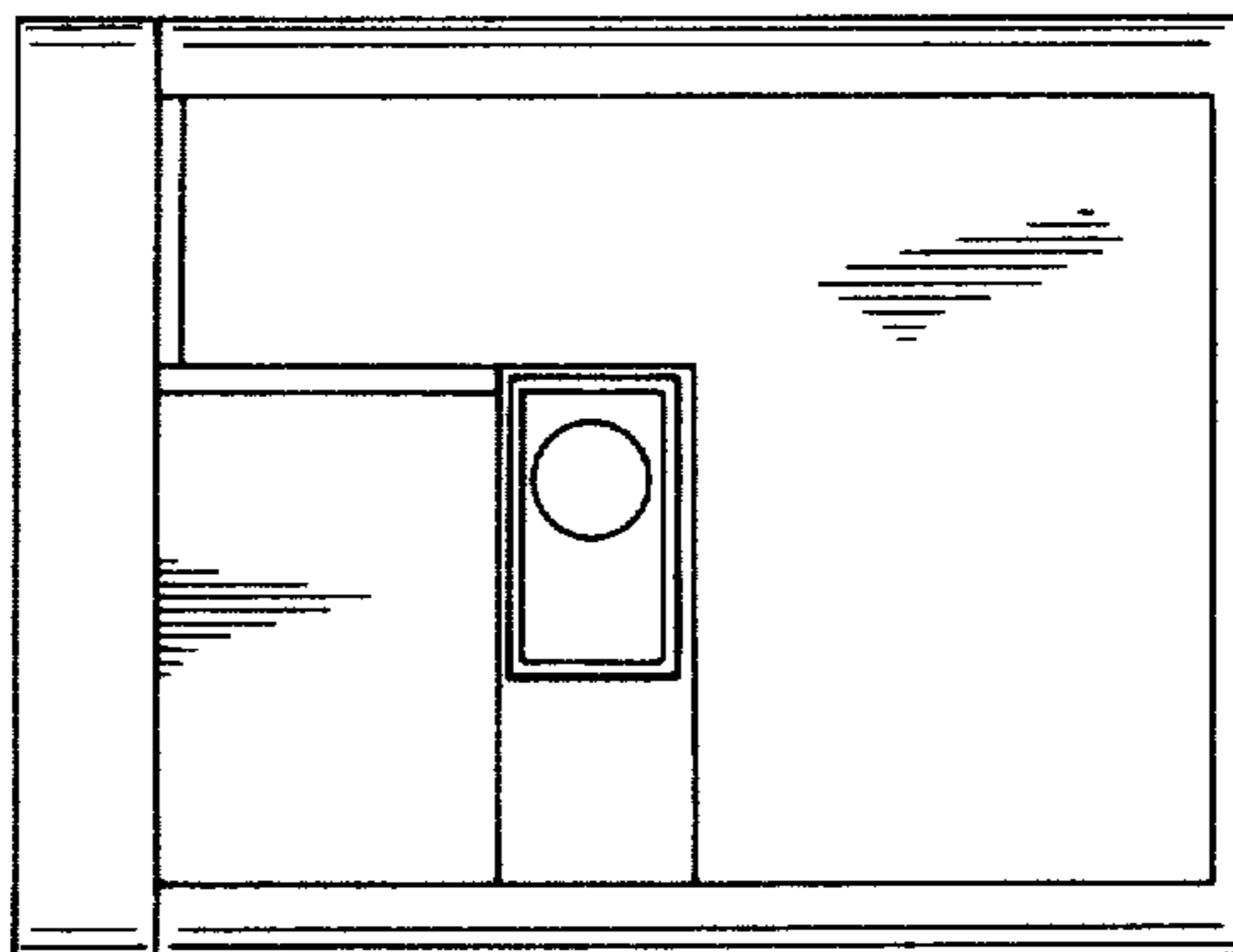


Fig. 6

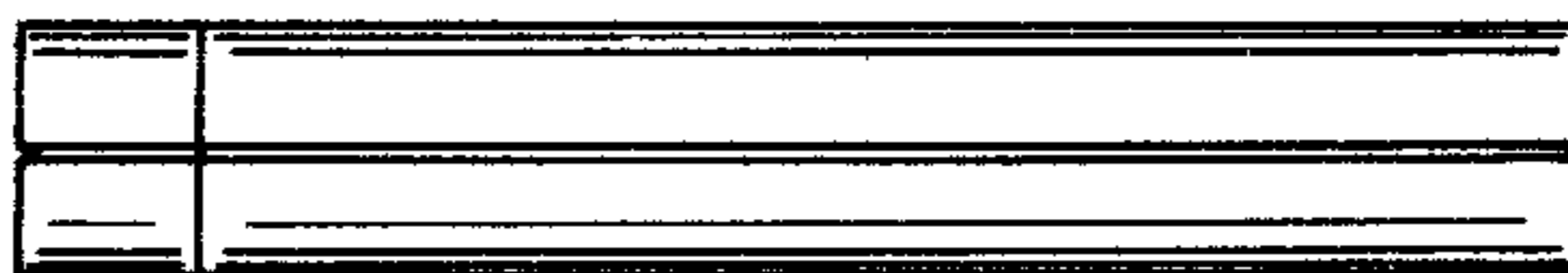


Fig. 7