

[54] **PICTURE VIEWER**

[75] **Inventor:** Peter Ackeret, Küsnacht, Switzerland

[73] **Assignee:** Licinvest AG, Chur, Switzerland

[\*\*] **Term:** 14 Years

[21] **Appl. No.:** 261,025

[22] **Filed:** May 6, 1981

[30] **Foreign Application Priority Data**

Nov. 8, 1980 [CH] Switzerland ..... URA 1152/80

[51] **Int. Cl.** ..... D16—99

[52] **U.S. Cl.** ..... D16/11; D16/14; 40/513

[58] **Field of Search** ..... D16/11, 14, 15, 17-18, D16/38; D9/420, 423, 432; D6/232, 236, 238, 241-242, 244; 40/490, 511, 513 X; D20/10

[56] **References Cited**

**U.S. PATENT DOCUMENTS**

|            |         |                |        |
|------------|---------|----------------|--------|
| D. 138,526 | 8/1944  | Spaldo .....   | D6/242 |
| D. 173,729 | 12/1954 | Helms .....    | D6/242 |
| D. 255,745 | 7/1980  | Pedersen ..... | D6/236 |
| D. 257,584 | 12/1980 | Finkel .....   | D9/423 |

|           |         |                |          |
|-----------|---------|----------------|----------|
| 2,294,444 | 9/1942  | Boroughs ..... | D16/17 X |
| 3,696,537 | 10/1972 | Alleman .....  | 40/511   |
| 3,783,540 | 1/1974  | Barclay .....  | 40/511   |
| 4,259,802 | 4/1981  | Ackeret .....  | 40/513   |

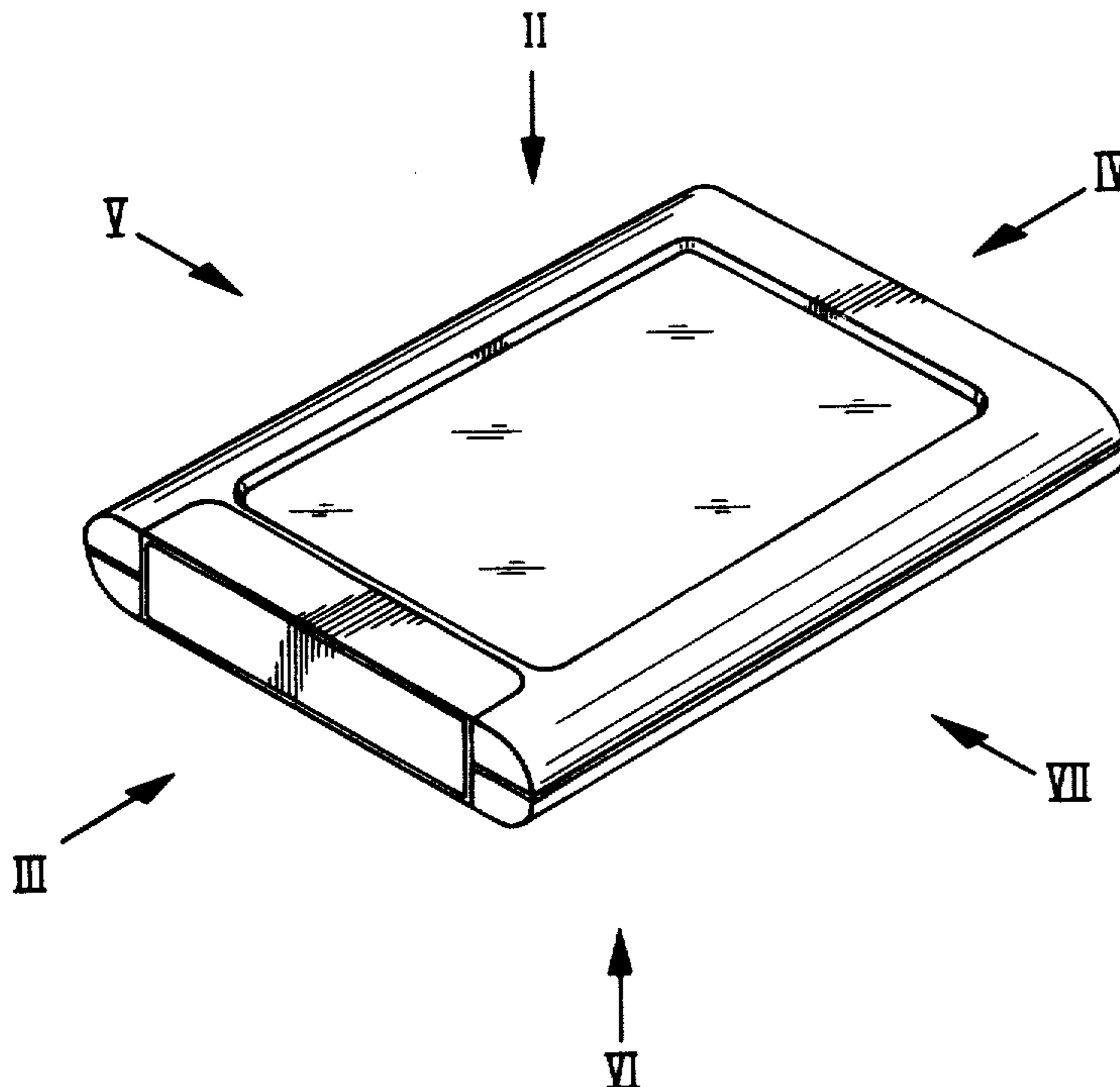
*Primary Examiner*—Nelson C. Holtje  
*Attorney, Agent, or Firm*—Peterson, Palmatier, Sturm, Sjoquist & Baker, Ltd.

[57] **CLAIM**

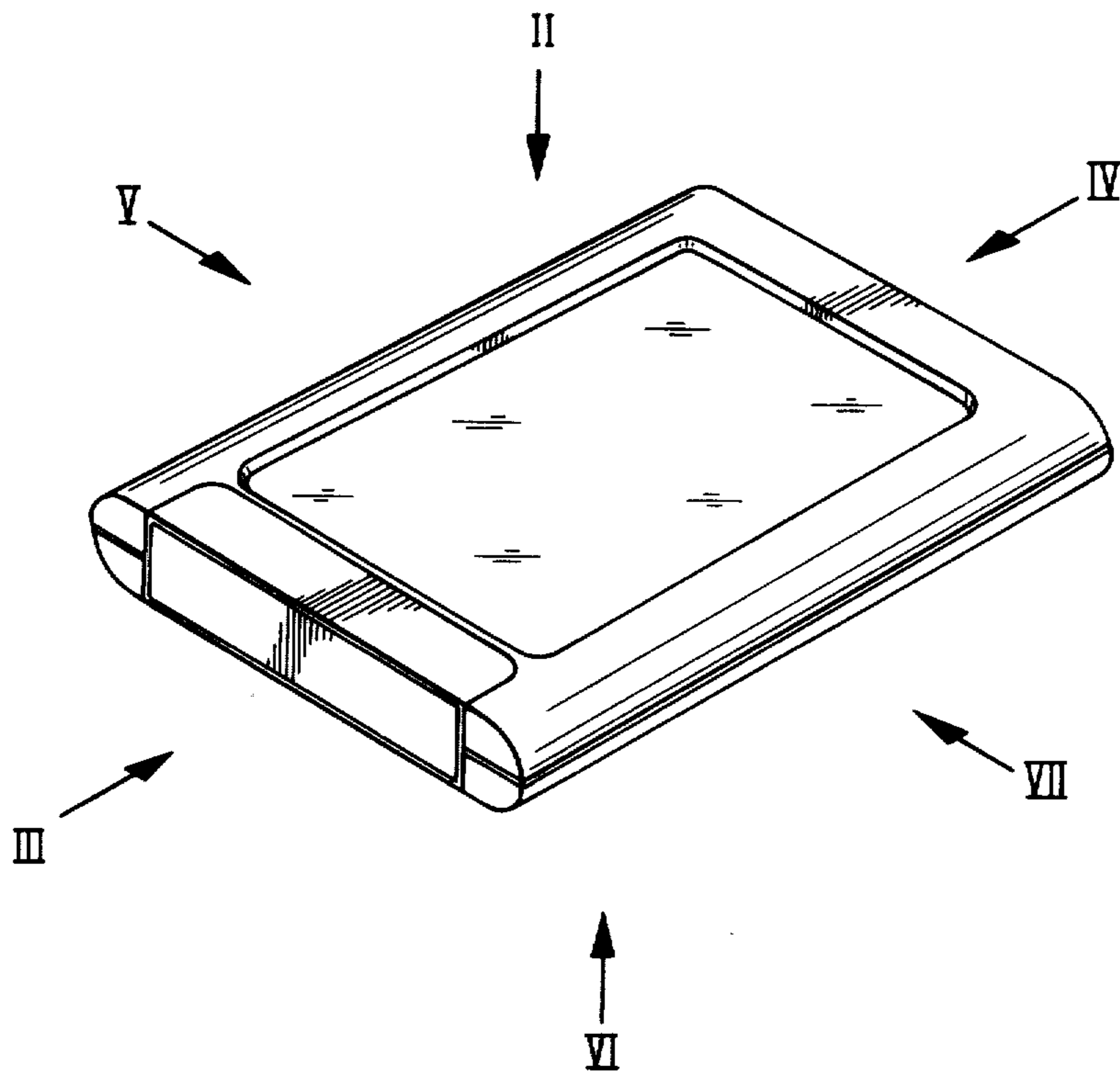
The ornamental design for a picture viewer, as shown and described.

**DESCRIPTION**

FIG. 1 is a top and left front perspective view of a picture viewer showing my new design;  
 FIG. 2 is a top plan view as taken from arrow II of FIG. 1;  
 FIG. 3 is a left side elevational view as taken from arrow III of FIG. 1;  
 FIG. 4 is a right side elevational view as taken from arrow IV of FIG. 1;  
 FIG. 5 is a rear elevational view as taken from arrow V of FIG. 1;  
 FIG. 6 is a bottom plan view as taken from arrow VI of FIG. 1;  
 FIG. 7 is a front elevational view as taken from arrow VII of FIG. 1.



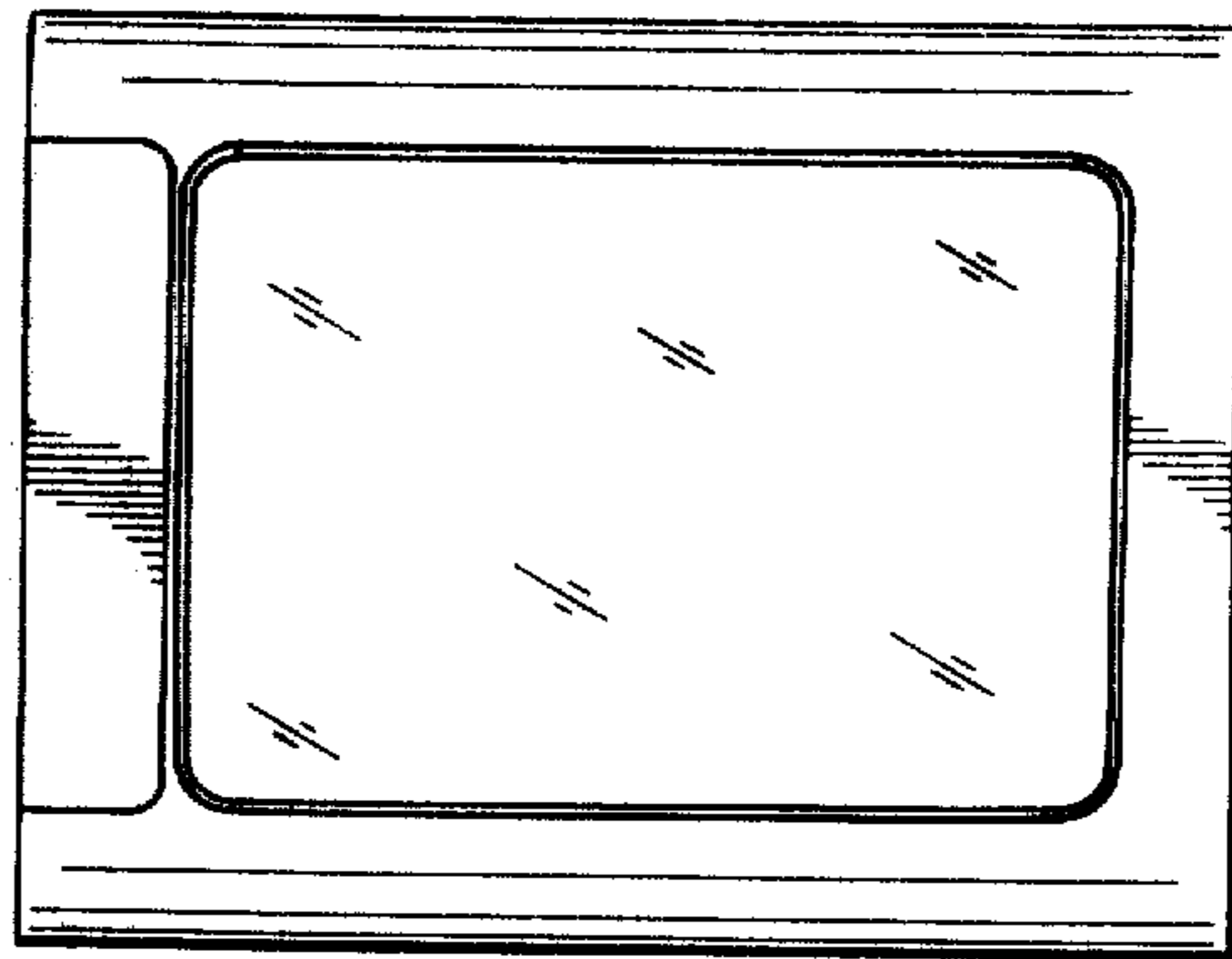
***Fig. 1***



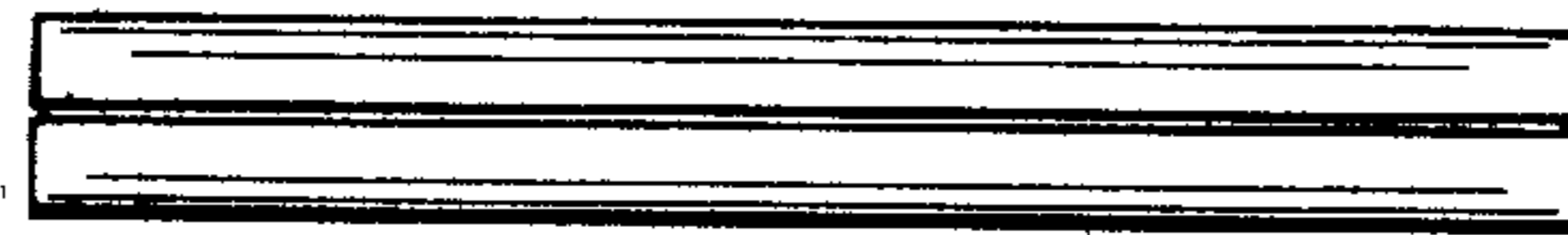
***Fig. 4***



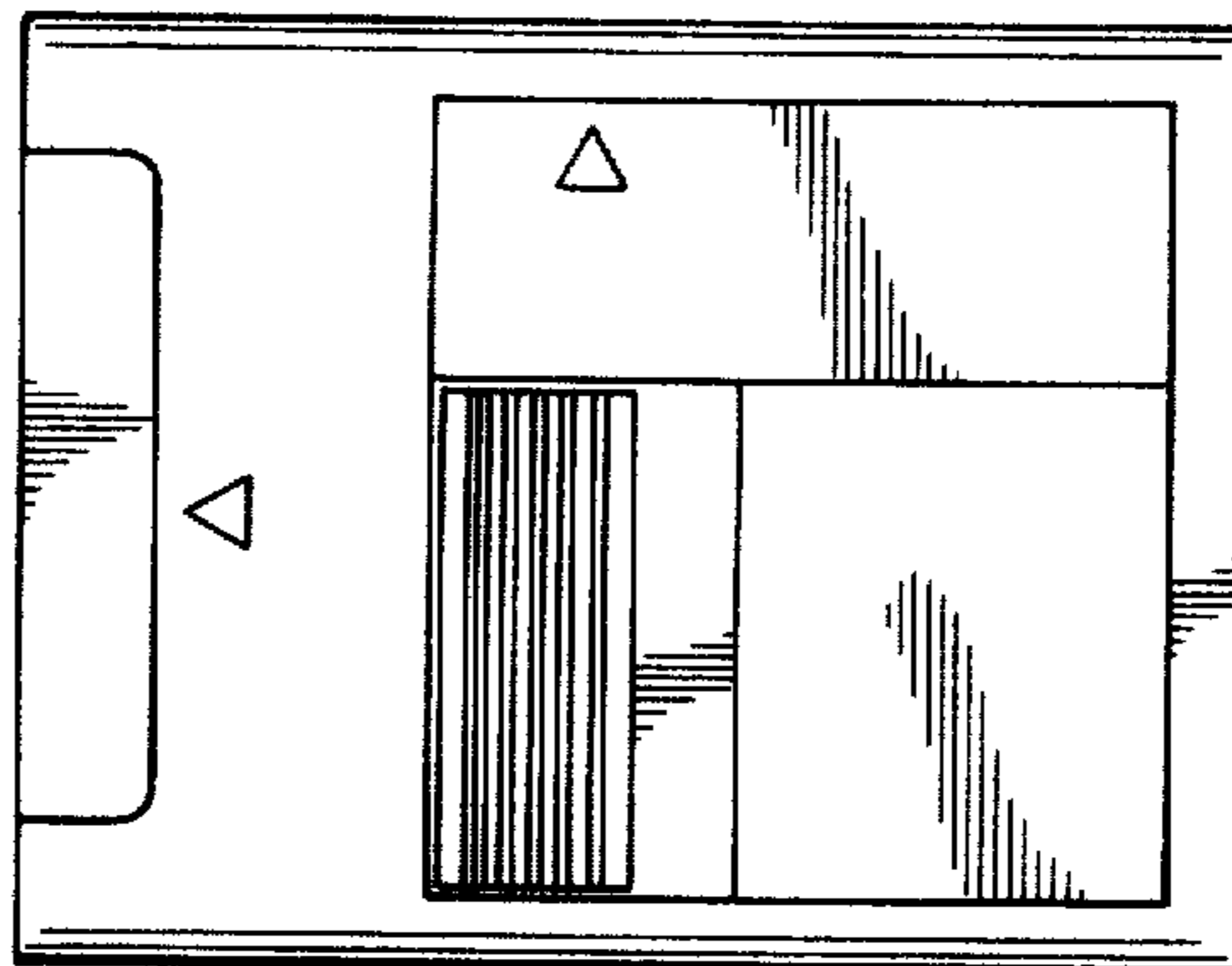
***Fig. 2***



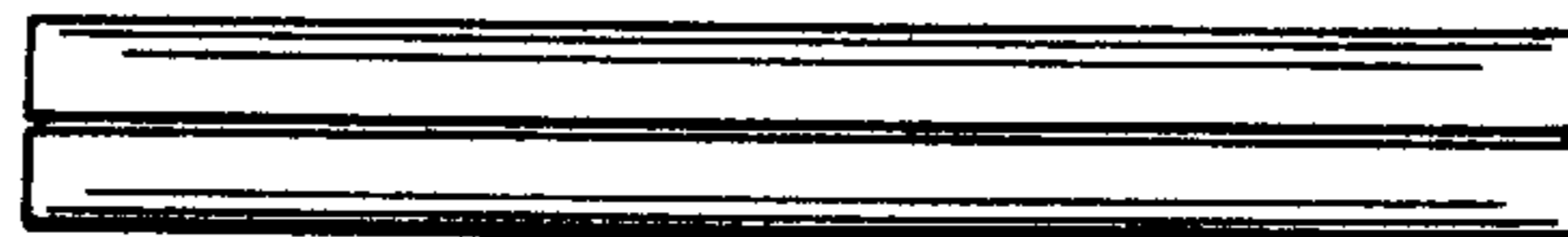
***Fig. 3***



***Fig. 5***



***Fig. 6***



***Fig. 7***

UNITED STATES PATENT AND TRADEMARK OFFICE  
**CERTIFICATE OF CORRECTION**

PATENT NO. : DES. No. 270,062  
DATED : August 9, 1983  
INVENTOR(S) : Peter Ackeret

It is certified that error appears in the above-identified patent and that said Letters Patent is hereby corrected as shown below:

On the title page:

Under "Foreign Application Priority Data", delete  
"Switzerland" and substitute --Fed. Rep. of Germany--.

**Signed and Sealed this**

*Twenty-fifth* **Day of** *October 1983*

[SEAL]

*Attest:*

**GERALD J. MOSSINGHOFF**

*Attesting Officer*

*Commissioner of Patents and Trademarks*